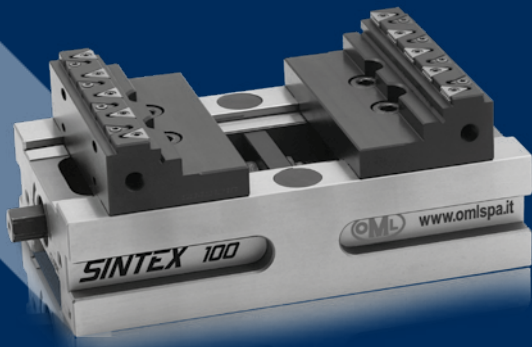


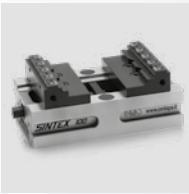
5 axis



SINTEX

5.2

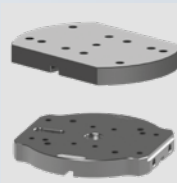
Self-centering vice



SINTEX 75 - 100 - 125

Main features

Page 5.2.3



SINTEX 75 - 100 - 125

Accessories and spare parts

- Interface plate

Page 5.2.8



SINTEX 75

Page 5.2.4



Perni di bloccaggio

Accessories

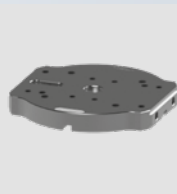
- For APS 140 e APS 190

Page 5.2.9



SINTEX 100

Page 5.2.5



Pallet per Automazione

Accessories

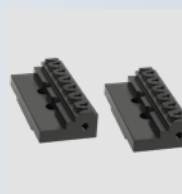
- For APS 140 e APS 190

Page 5.2.10



SINTEX 125

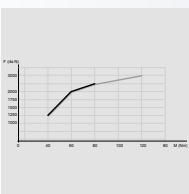
Page 5.2.6



SINTEX 75 - 100 - 125

Accessories and spare parts

Page 5.2.12



SINTEX 75 - 100 - 125

Technical data

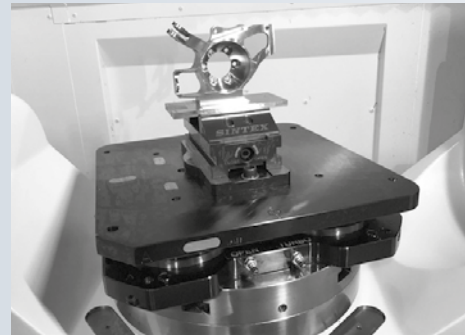
Page 5.2.7



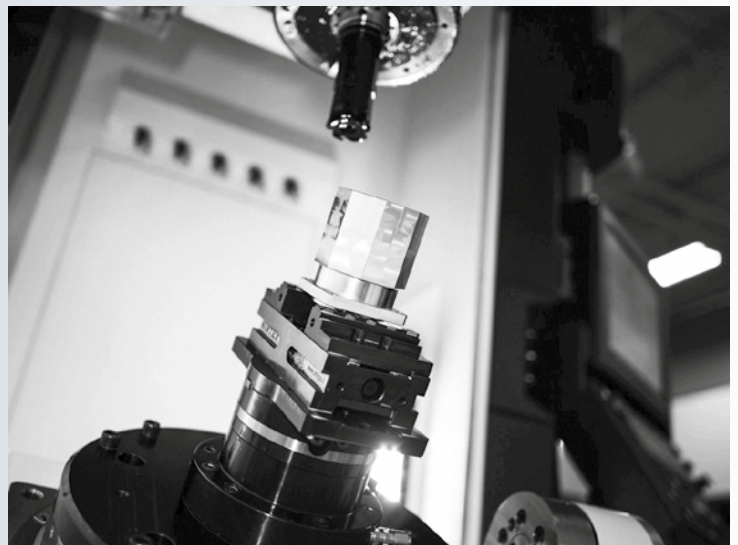
SINTEX 75 - 100 - 125

- SinterGrip

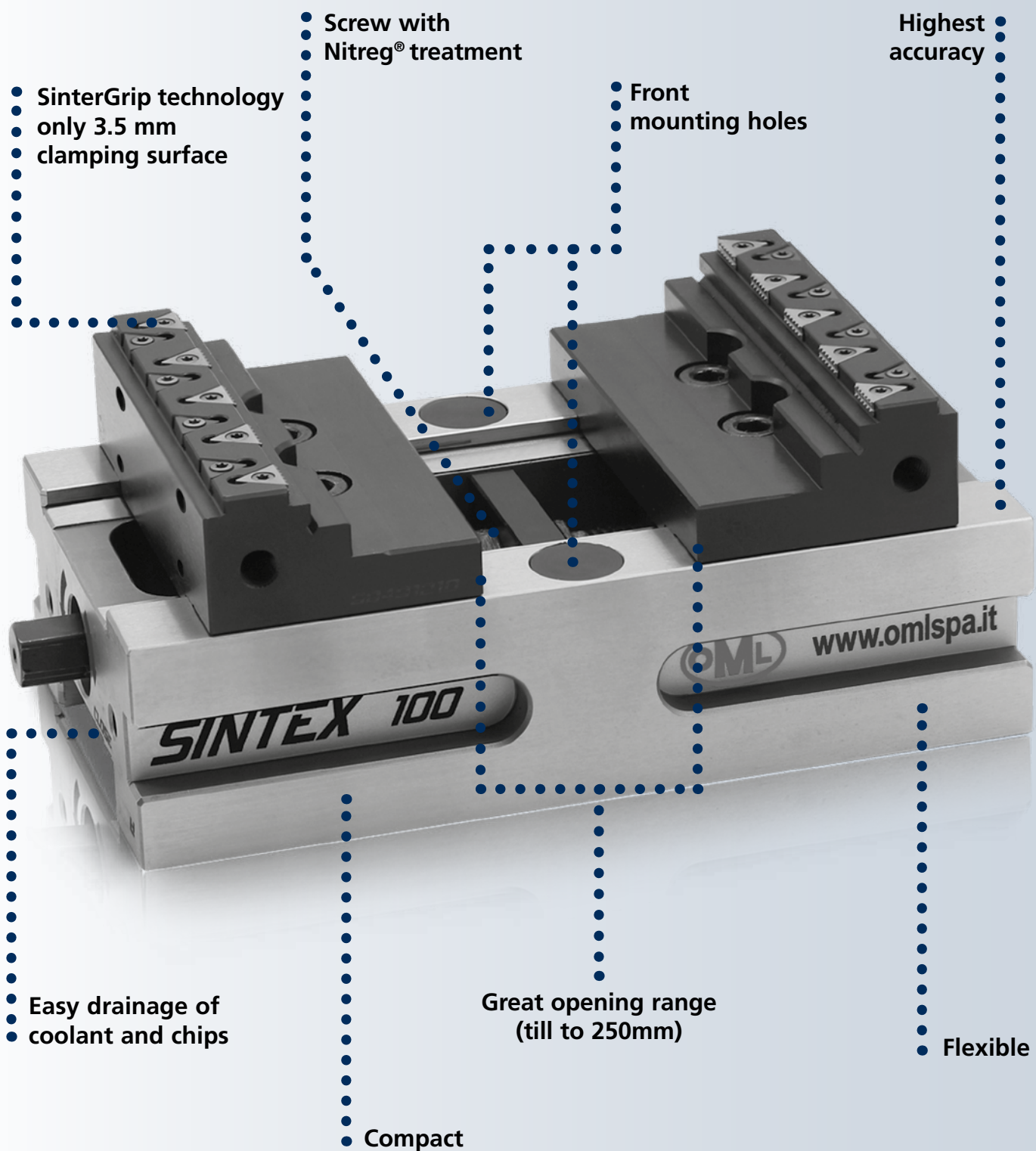
Page 5.2.16



5 axis



SINTEX



SINTEX 75

PREMIUM



Applications / Customer Benefits

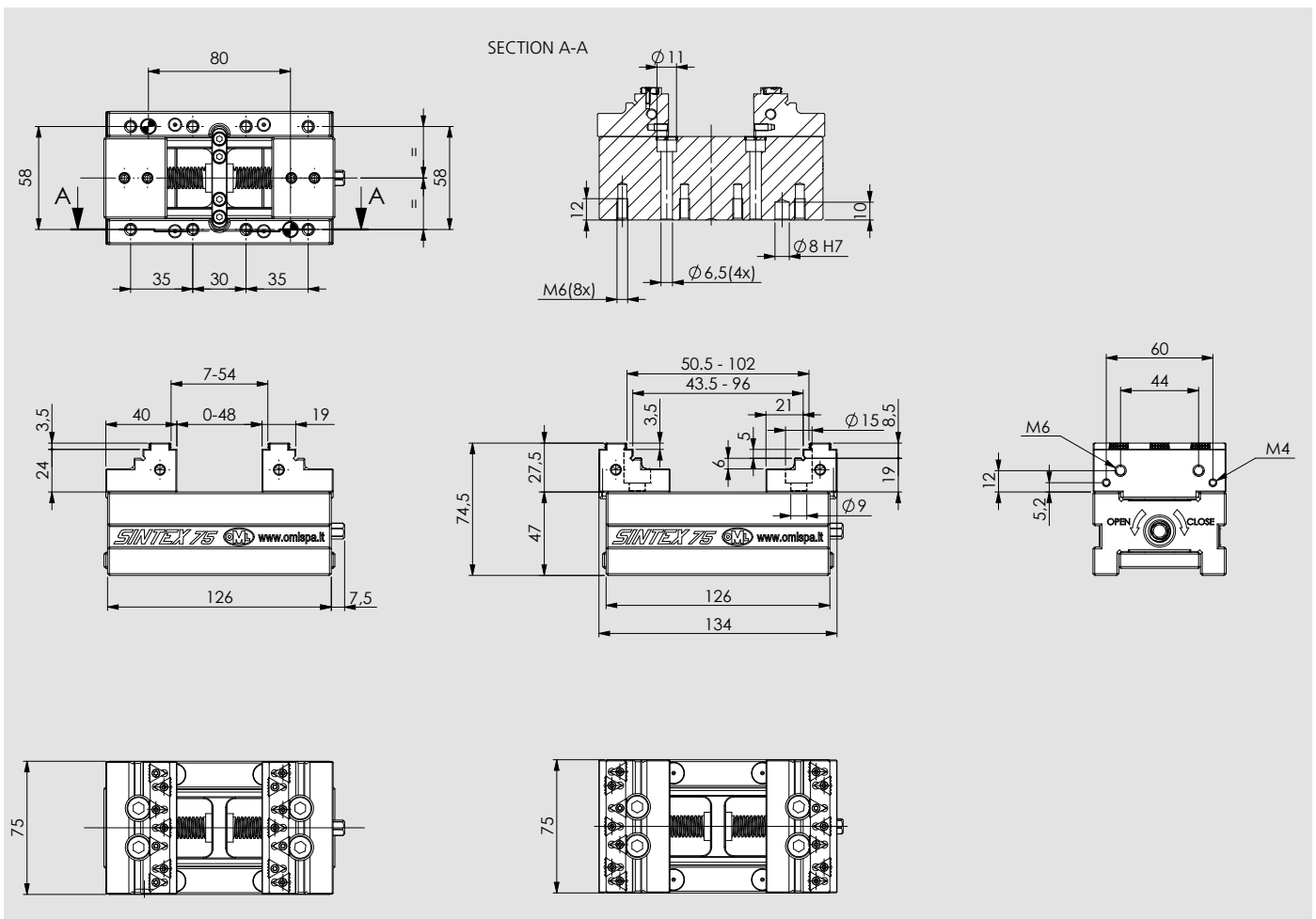
- Highly precise self-centering clamping with maximum repeatability
- Compact design for better accessibility and very large drainage slots
- Jaws with SinterGrip clamping inserts for minimum workpiece clamping depth without pre-machining
- Wide clamping range
- Ideal for OP 10 and OP 20

Technical features

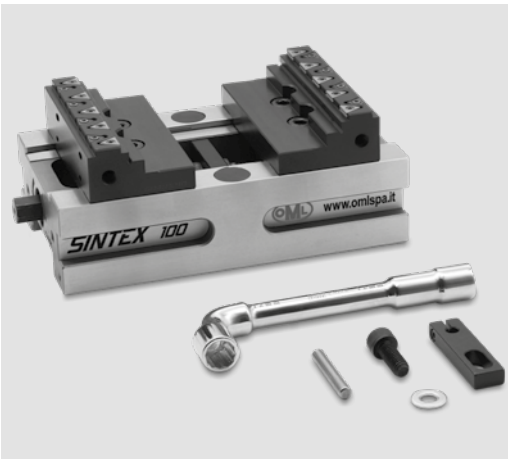
- Self-centering clamping
- Clamping force up to 20 kN
- Jaw width 75 mm
- Interface for zero point systems APS / WPS

Standard equipment

Wrench, jaws, Sintergrip inserts.



| Id. No. | Type |
|----------|---------------|
| 77584931 | SINTEX 75 STD |
| 77584932 | SINTEX 75 ALU |
| 77584933 | SINTEX 75 HRC |



Applications / Customer Benefits

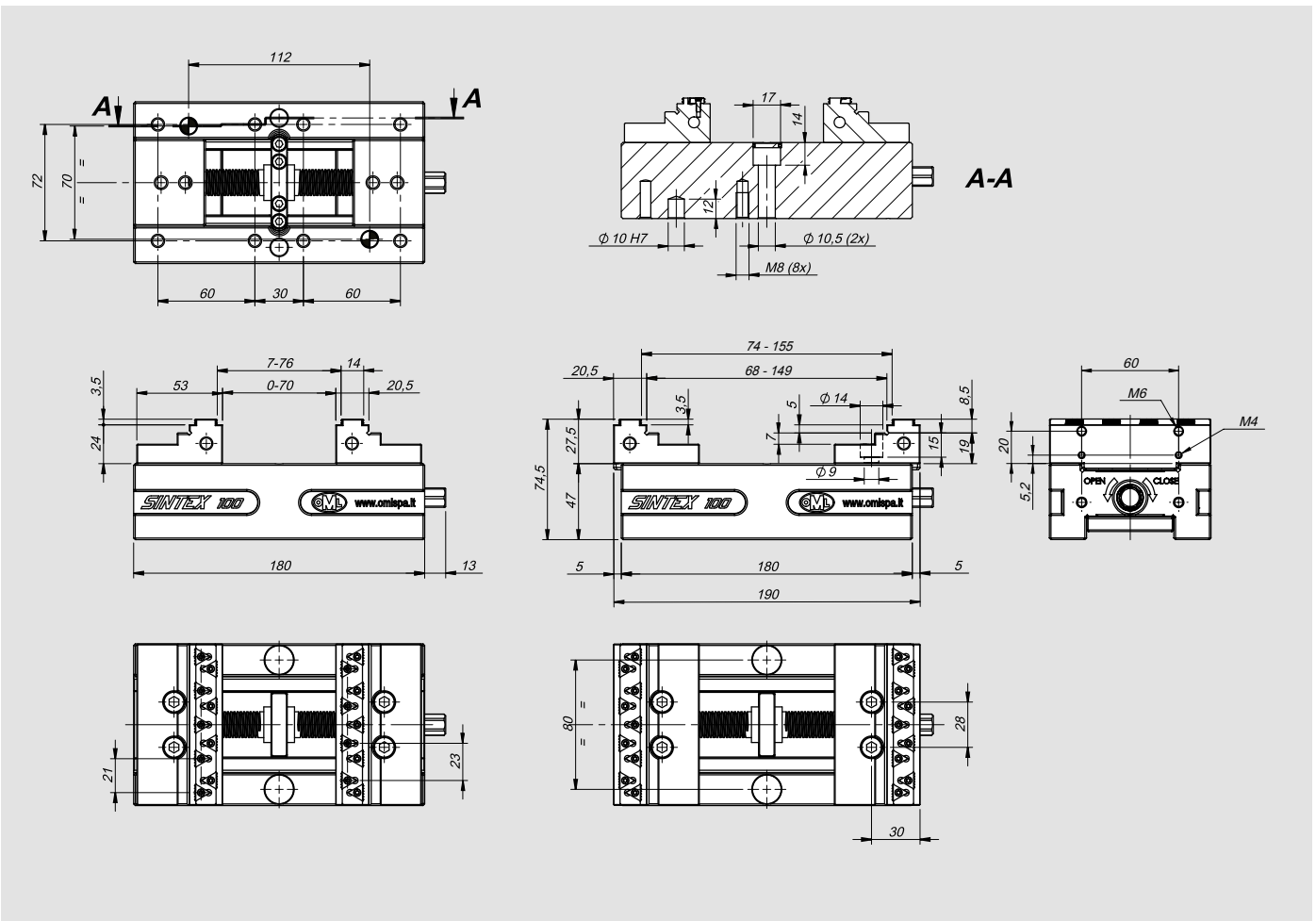
- Highly precise self-centering clamping with maximum repeatability
- Compact design for better accessibility and very large drainage slots
- Jaws with SinterGrip clamping inserts for minimum workpiece clamping depth without pre-machining
- Wide clamping range
- Ideal for OP 10 and OP 20

Technical features

- Self-centering clamping
- Clamping force up to 25 kN
- Jaw width 100 mm
- Interface for zero point systems APS / WPS

Standard equipment

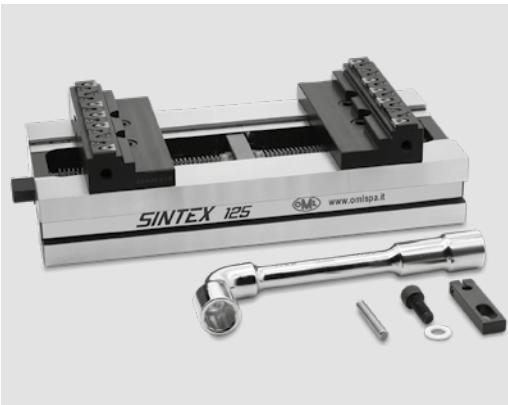
Wrench, jaws, Sintergrip inserts.



| Id. No. | Type |
|----------|----------------|
| 77584911 | SINTEX 100 STD |
| 77584912 | SINTEX 100 ALU |
| 77584913 | SINTEX 100 HRC |

SINTEX 125

PREMIUM



Applications / Customer Benefits

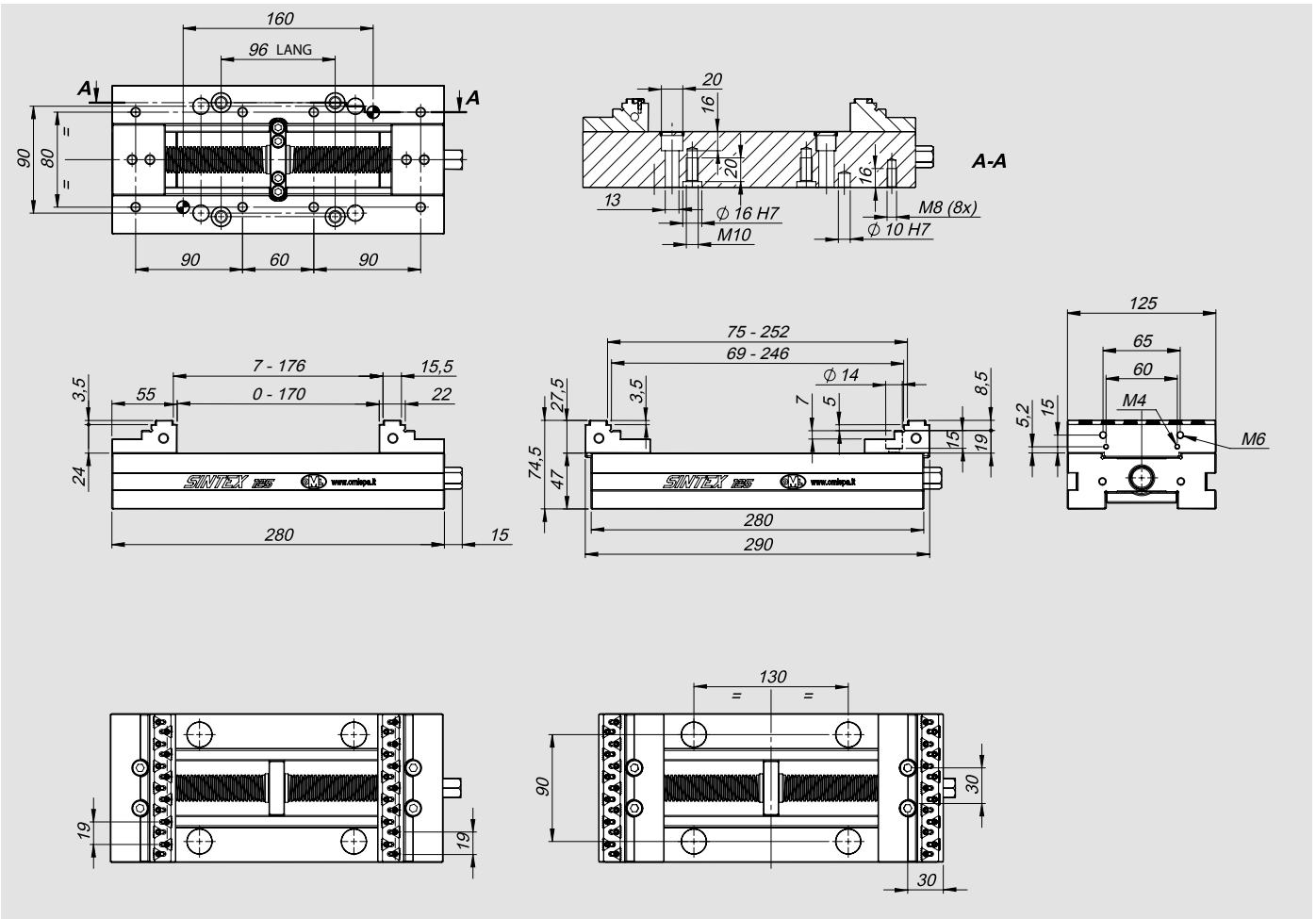
- Highly precise self-centering clamping with maximum repeatability
- Compact design for better accessibility and very large drainage slots
- Jaws with SinterGrip clamping inserts for minimum workpiece clamping depth without pre-machining
- Wide clamping range
- Ideal for OP 10 and OP 20

Technical features

- Self-centering clamping
- Clamping force up to 30 kN
- Jaw width 125 mm
- Interface for zero point systems APS / WPS

Standard equipment

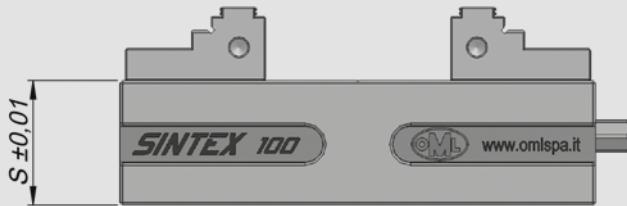
Wrench, jaws, Sintergrip inserts.



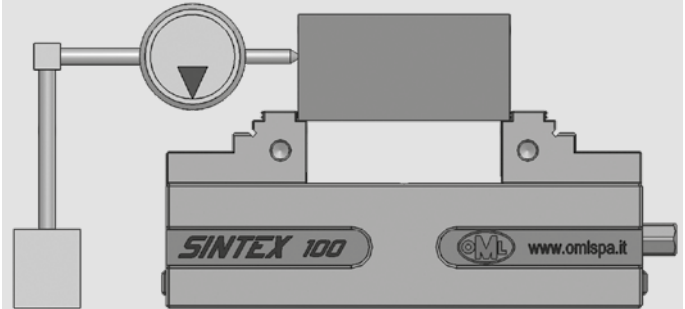
| Id. No. | Type |
|----------|----------------|
| 77584961 | SINTEX 125 STD |
| 77584962 | SINTEX 125 ALU |
| 77584963 | SINTEX 125 HRC |

TECHNICAL DATA

Tolerances

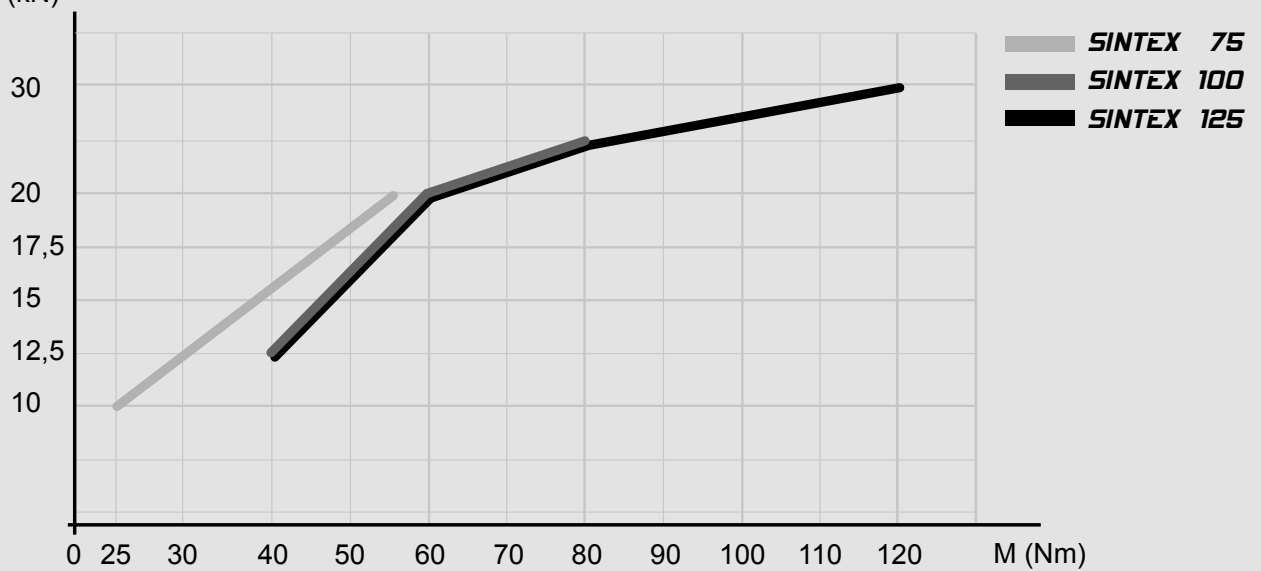


Repeatability accuracy $\pm 0,01$

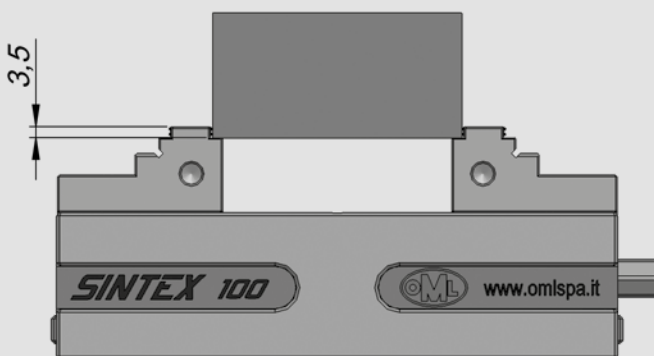


F (kN)

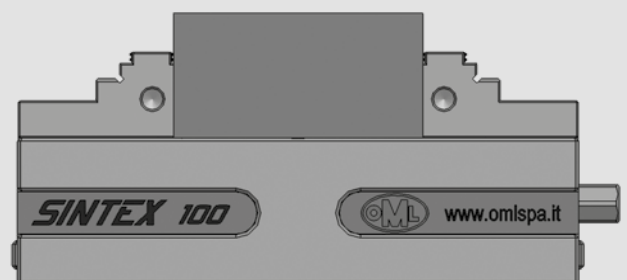
Clamping forces diagram



Working example

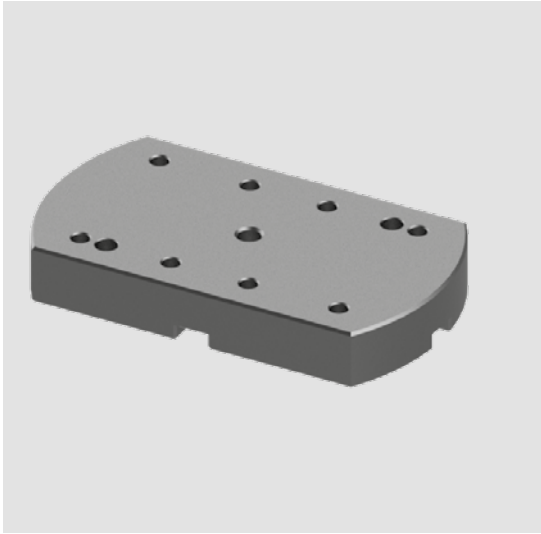


1 OP.

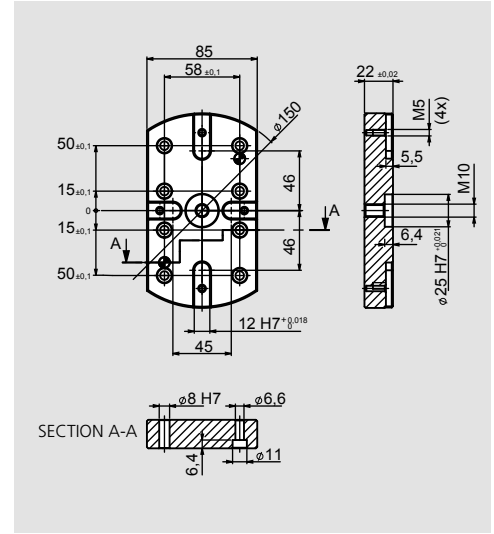


2 OP.

INTERFACE PLATE SINTEX 75 for APS 140



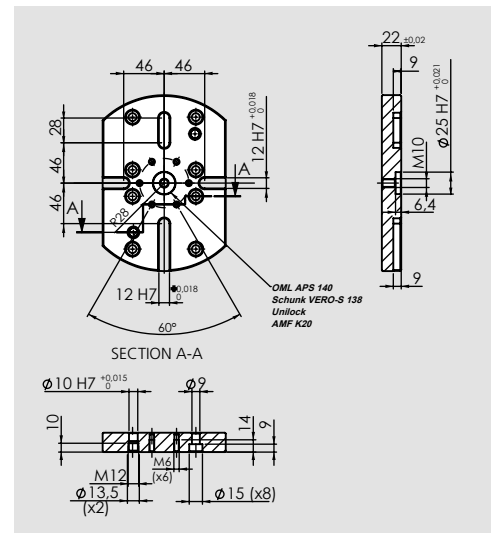
Codice
58492051



INTERFACE PLATE SINTEX 100 for APS 140 - APS 190



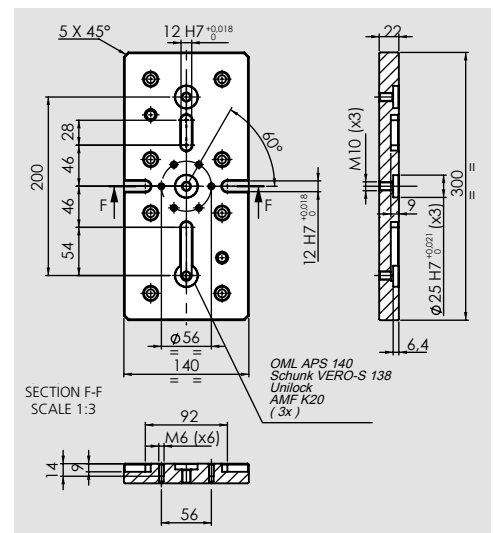
Codice
58492021



INTERFACE PLATE SINTEX 125 for APS 140 - APS 190



Codice
58497021



Clamping pins APS 140



Application/customer benefits

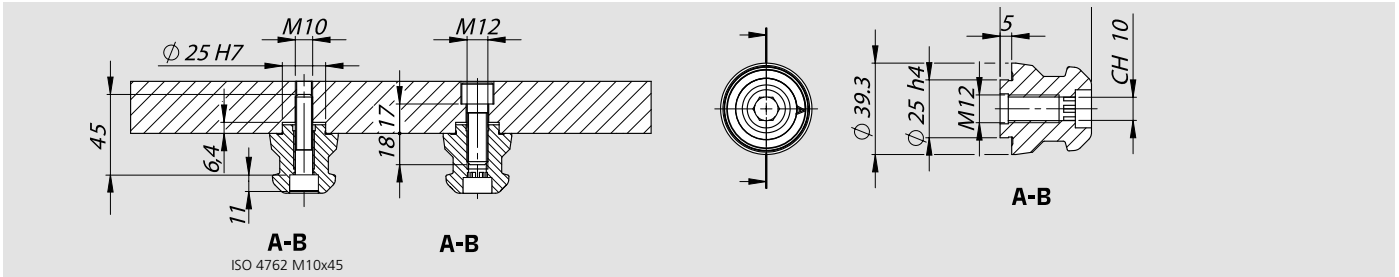
- Fixation and positioning on the clamping systems APS 140
- Wear-resistant due to an extra hard protective coating
- Large entry radii of the clamping pins for easy and safe loading

Technical features

- Centering pin Type A (Standard)
- Sword pin Type B (Positioning pin)

Standard equipment

Clamping pin with mounting screw M10x45



| Type | Thread | Type A | Type B | Weight |
|-----------------------|--------|----------|----------|--------|
| Clamping pins APS 140 | M12 | 46162355 | 46162356 | 0.3 Kg |

Clamping pins APS 190



Application/customer benefits

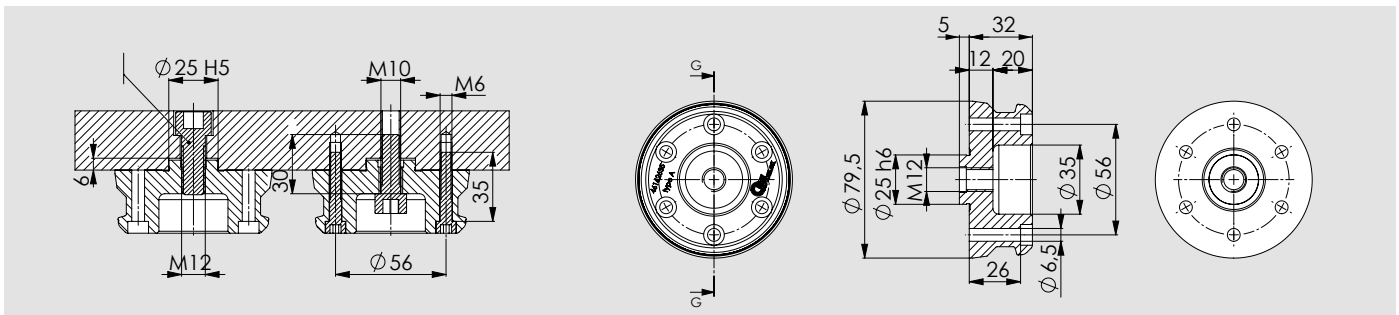
- Fixation and positioning on the clamping systems APS 190
- Large entry radii of the clamping pins for easy and safe loading

Technical features

- Centering pin Type A (Standard)

Standard equipment

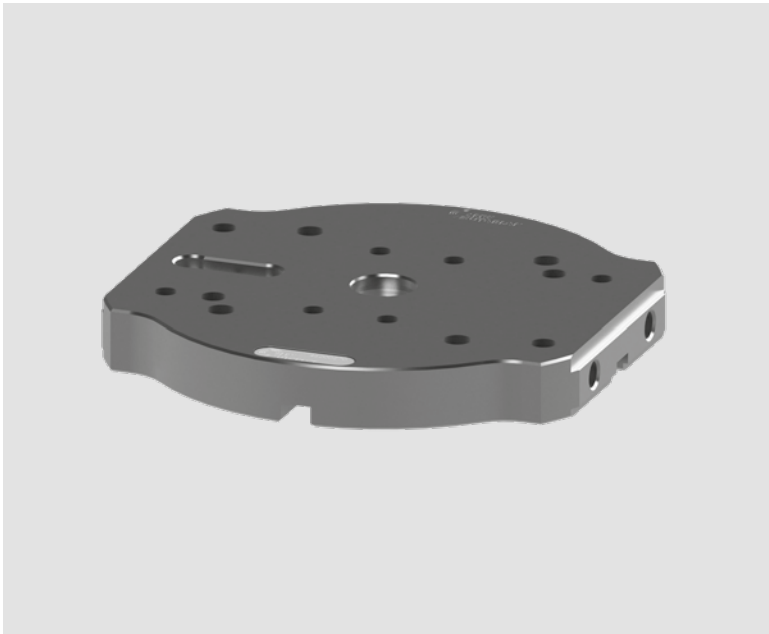
Clamping pin with mounting screw M8x40 (6 pieces)



| Id. No. | Type | Weight |
|-------------|----------------------------------|--------|
| 46 16 26 35 | A Ø 25 = al perno APS-140 M12 | 0,85Kg |

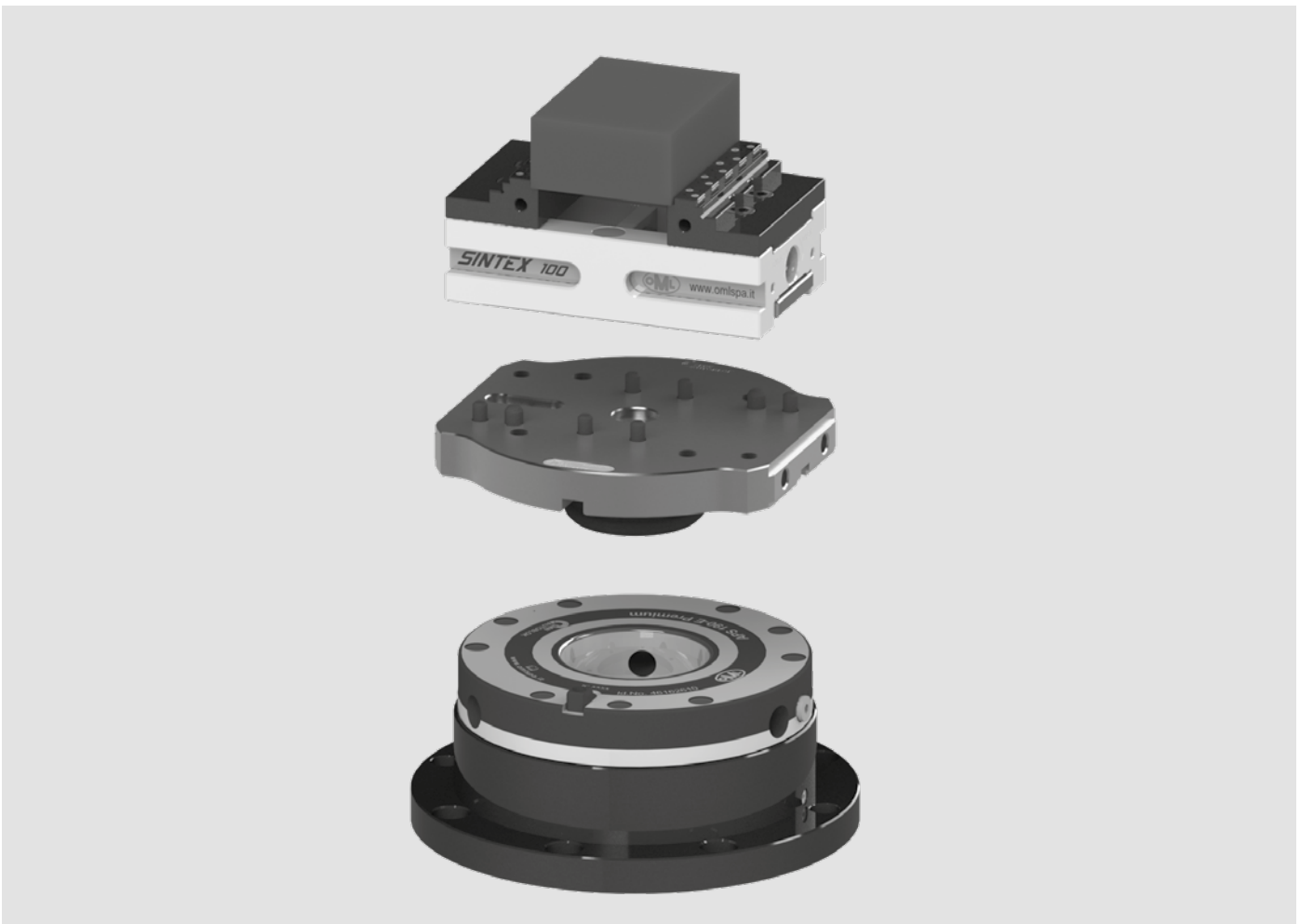
Working examples



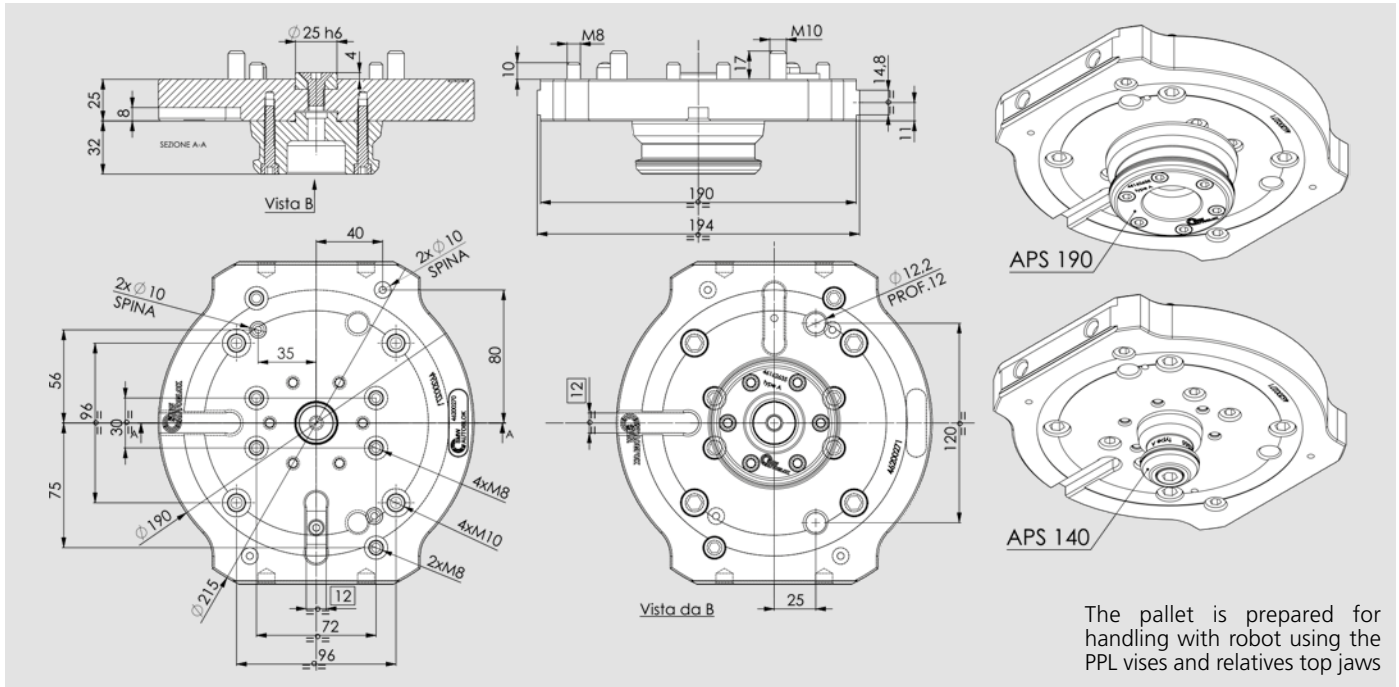


| Id. No. pallet without vise | |
|-----------------------------|------------|
| 46200275 | for APS140 |
| 46200270 | for APS190 |

Working example

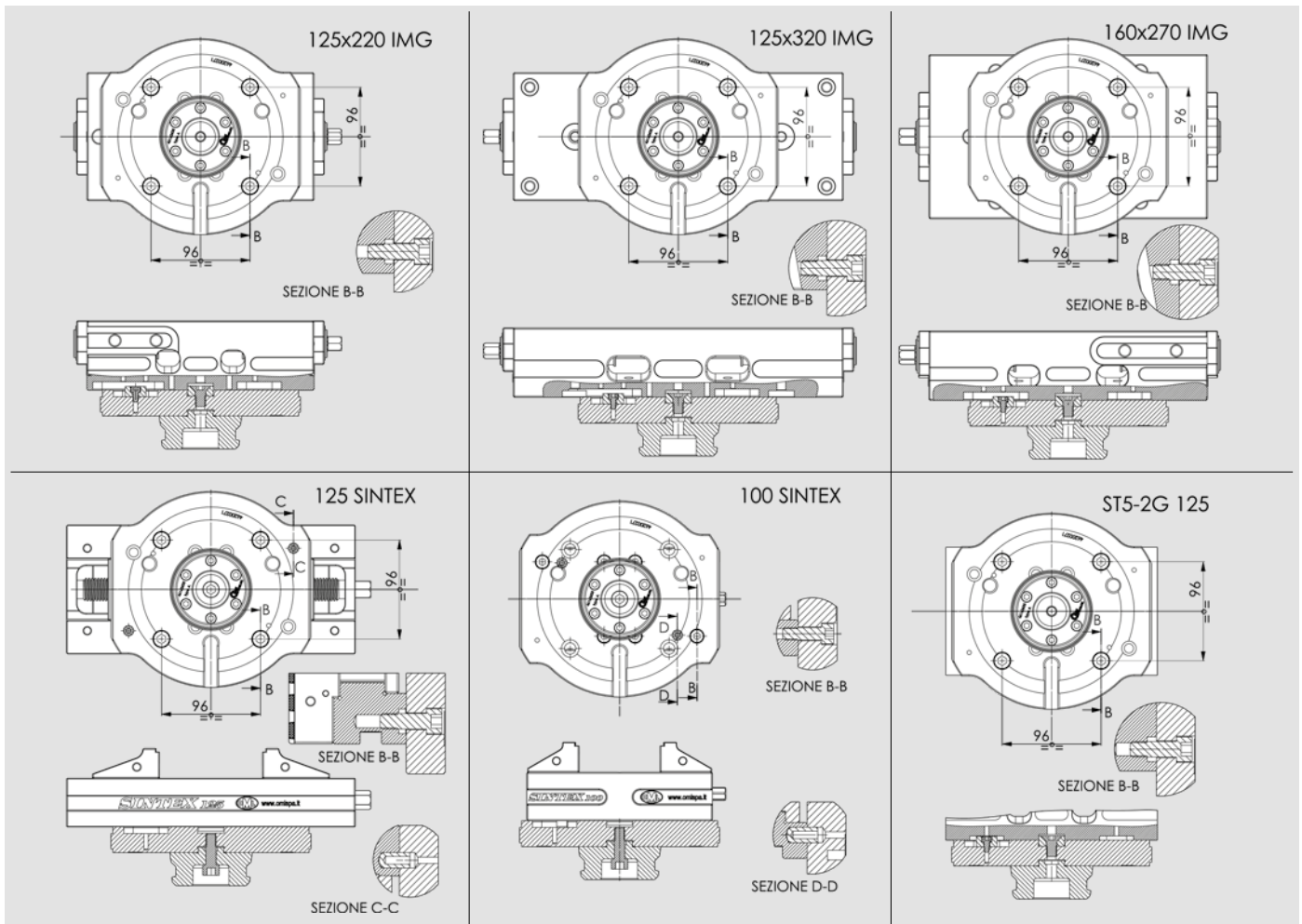


Prepared for robot loading

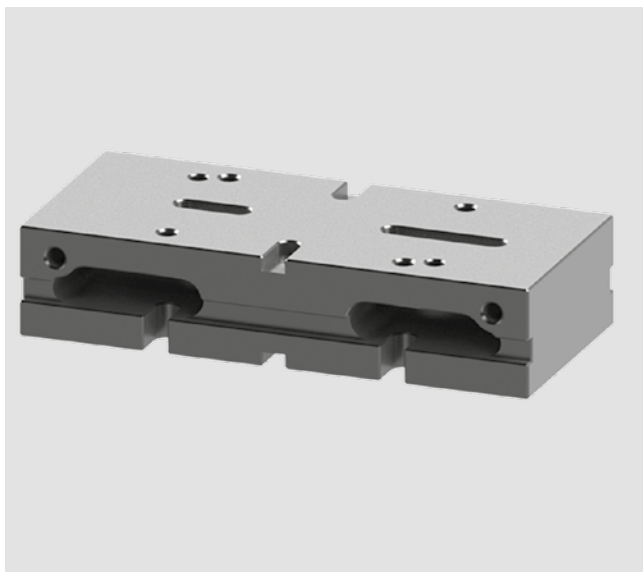


The pallet is prepared for handling with robot using the PPL vises and relatives top jaws

| Id. No. pallet without vise | Weight | Vise model (see scheme below) | | |
|--|--------|-------------------------------|---------------------------------|-----------|
| 46200275 pallet holder vises loading robot APS140 | 6 Kg | 100 - 125 SINTEX | 125x220 - 125x320 - 160x270 IMG | 125ST5-2G |
| 46200270 pallet holder vises loading robot APS190 | 6,7 Kg | 100 - 125 SINTEX | 125x220 - 125x320 - 160x270 IMG | 125ST5-2G |

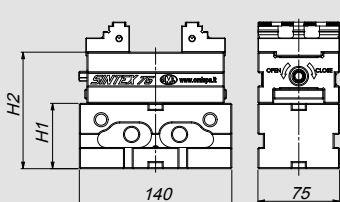
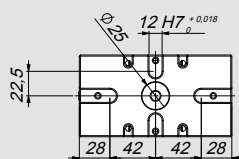


Risers

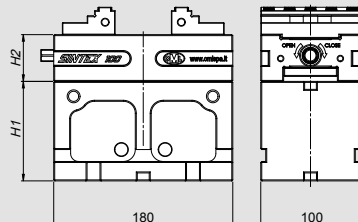
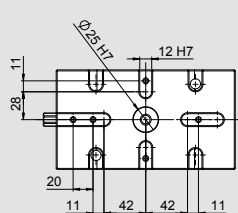


| Type | Id. No. | H1 | H2 | Weight | | | | | | | | | | | | | | | | | | | |
|------------|-----------------|-----|------|------------|-----------------|----|-----|------|------------|-----------------|-----|-----|------|------------|-----------------|----|-----|-------|------------|-----------------|-----|-----|-------|
| SINTEX 75 | 58492141 | 60 | 107 | 6 Kg | | | | | | | | | | | | | | | | | | | |
| SINTEX 75 | 58492151 | 100 | 9 Kg | SINTEX 100 | 58492111 | 60 | 107 | 6 Kg | SINTEX 100 | 58492121 | 100 | 147 | 9 Kg | SINTEX 125 | 58497111 | 60 | 107 | 14 Kg | SINTEX 125 | 58497121 | 100 | 147 | 18 Kg |
| SINTEX 100 | 58492111 | 60 | 107 | 6 Kg | | | | | | | | | | | | | | | | | | | |
| SINTEX 100 | 58492121 | 100 | 147 | 9 Kg | | | | | | | | | | | | | | | | | | | |
| SINTEX 125 | 58497111 | 60 | 107 | 14 Kg | | | | | | | | | | | | | | | | | | | |
| SINTEX 125 | 58497121 | 100 | 147 | 18 Kg | | | | | | | | | | | | | | | | | | | |

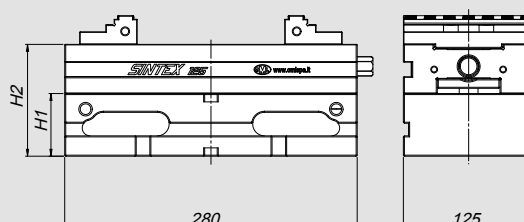
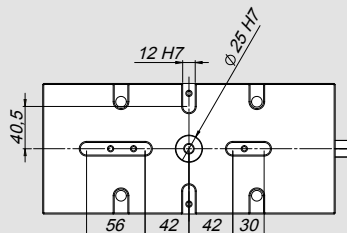
SINTEX 75



SINTEX 100



SINTEX 125



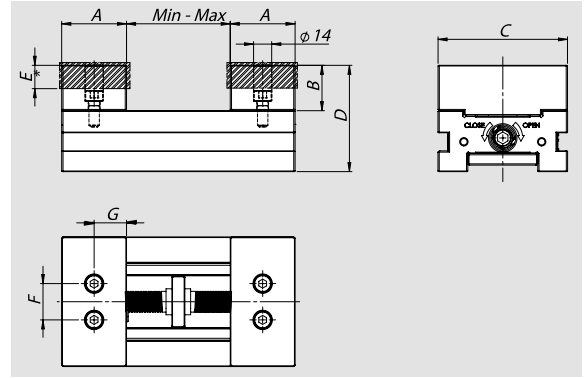
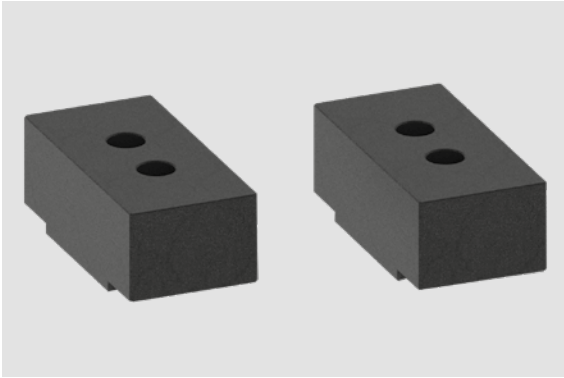
Working examples



Only for **SINTEX 125**

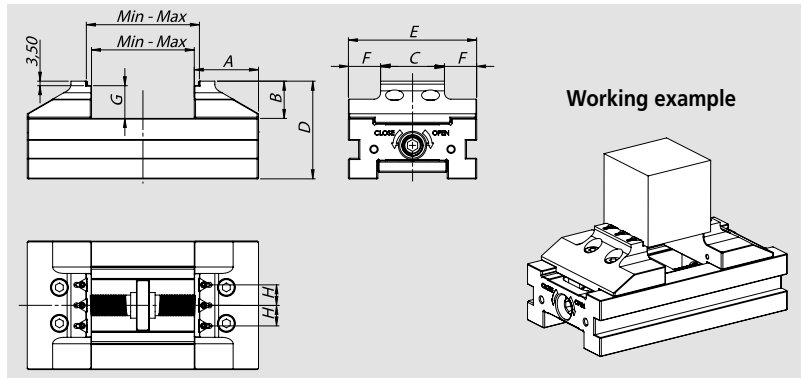
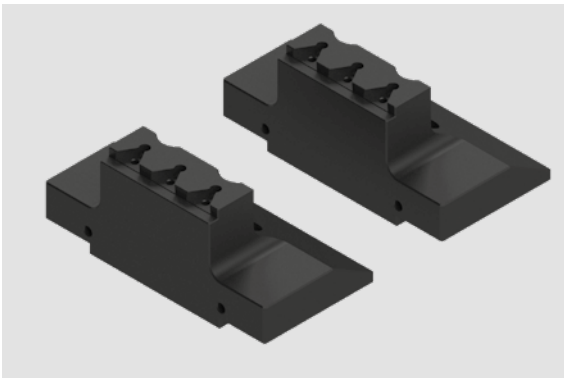


Pair of soft steel-ALU jaws



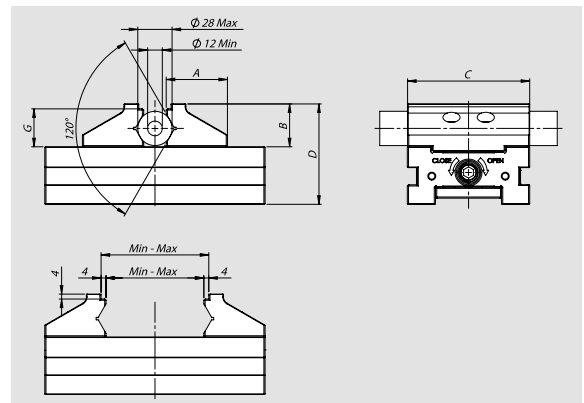
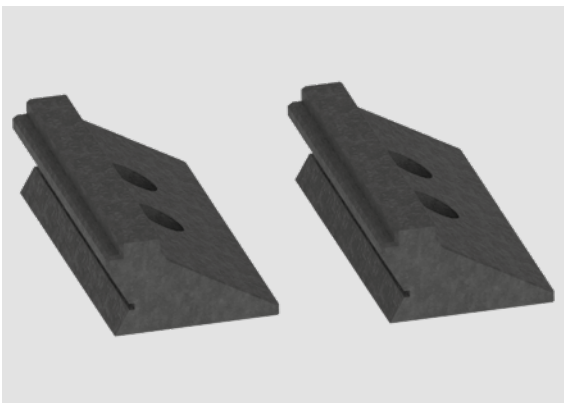
| Type | Steel | Aluminium | A | B | C | D | E | F | G | Min. | Max |
|------------|-------------|-------------|----|----|-----|----|----|----|----|------|-----|
| SINTEX 100 | 58 49 16 29 | 58 49 16 19 | 50 | 35 | 100 | 82 | 18 | 28 | 25 | 0 | 77 |
| SINTEX 125 | 58 49 66 29 | 58 49 66 19 | 65 | 35 | 125 | 82 | 18 | 34 | 25 | 0 | 177 |

Pair of reduced jaws



| Type | Id. No. | A | B | C | D | E | F | G | H | Min. | Max |
|------------|-------------|----|----|----|----|-----|----|------|----|-------|-----------|
| SINTEX 100 | 58 49 15 19 | 50 | 29 | 50 | 74 | 100 | 25 | 25,5 | 16 | 0 - 7 | 78 - 85 |
| SINTEX 125 | 58 49 65 19 | 65 | 34 | 55 | 81 | 125 | 35 | 29,5 | 18 | 0 - 7 | 178 - 185 |

Pair of V jaws



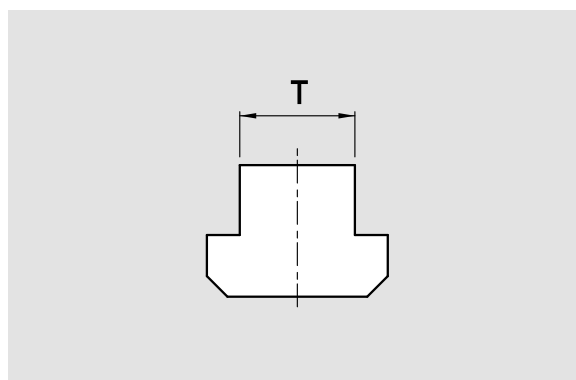
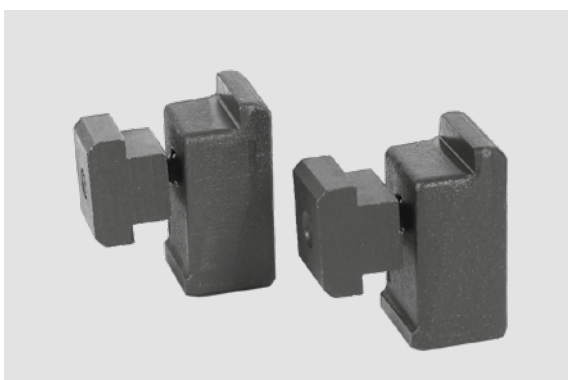
| Type | Id. no. | A | B | C | D | G | Min. | Max |
|------------|-------------|----|----|-----|----|----|-------|-----------|
| SINTEX 100 | 58 49 14 19 | 50 | 35 | 100 | 82 | 31 | 0 - 8 | 78 - 85 |
| SINTEX 125 | 58 49 64 19 | 65 | 35 | 125 | 82 | 31 | 0 - 8 | 178 - 185 |

Key for APS for single use



| Type | Id. no. |
|---------------|----------|
| APS 140 / 190 | 46162333 |

Pair of Clamps



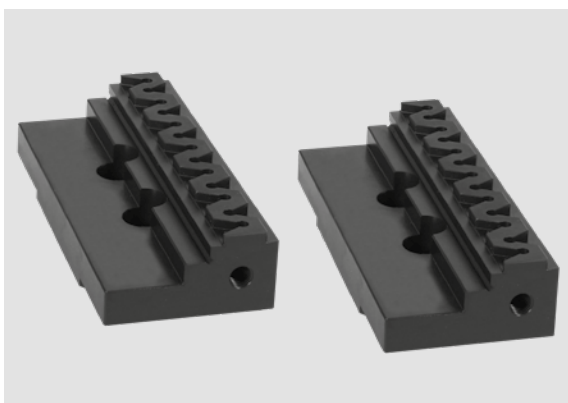
| Type | Id. No. | | | | | |
|-----------------------|-------------|-------------|-------------|-------------|-------------|-------------|
| | mm 12 | mm 14 | mm 16 | mm 18 | mm 20 | mm 22 |
| SINTEX 75 - 100 - 125 | 58 01 27 92 | 58 01 27 93 | 58 01 27 94 | 58 01 27 95 | 58 01 27 96 | 58 01 27 97 |

Torque wrench



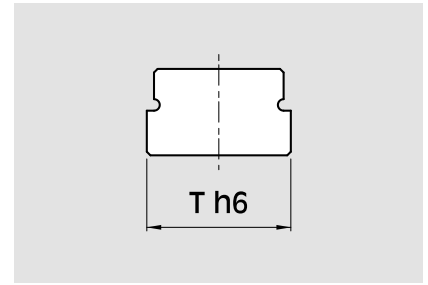
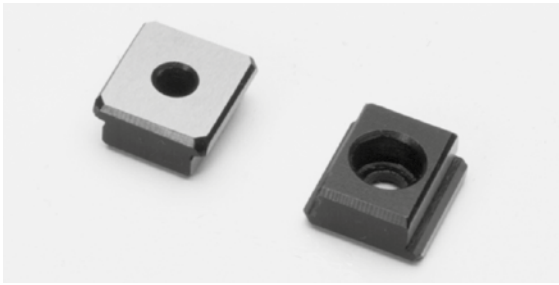
| | SINTEX 75 | SINTEX 100 | SINTEX 125 |
|---------|-------------|-------------|-------------|
| Id. No. | 51 50 10 25 | 51 50 10 08 | 51 50 10 09 |

Pair of jaws PREMIUM



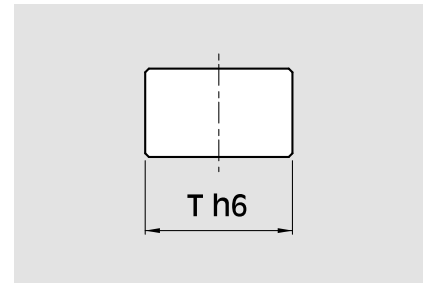
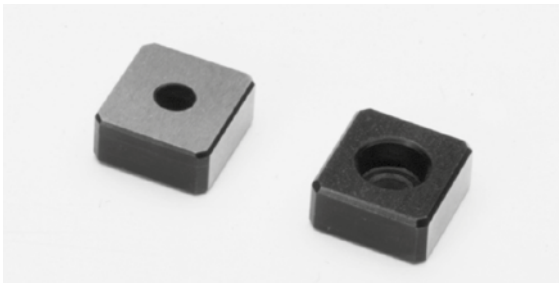
| | SINTEX 75 | SINTEX 100 | SINTEX 125 |
|---------|-------------|-------------|-------------|
| Id. No. | 58 49 12 49 | 58 49 12 19 | 58 49 62 19 |

Pair of special positioning keys



| Type | Id. No. | | | | | |
|-----------------------|------------|-------------|-------------|-------------|-------------|-------------|
| | mm 12 - h6 | mm 14 - h6 | mm 16 - h6 | mm 18 - h6 | mm 20 - h6 | mm 22 - h6 |
| SINTEX 75 - 100 - 125 | - | 58 01 15 93 | 58 01 15 94 | 58 01 15 95 | 58 01 15 96 | 58 01 15 97 |

Pair of standard positioning keys



| SINTEX 75 - 100 - 125 | |
|-----------------------|-------------|
| Id. No. | 58 01 15 92 |

Workstop



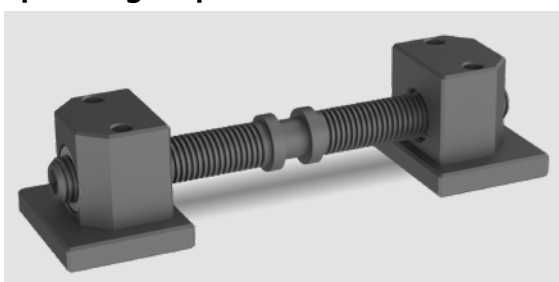
| SINTEX 75 - 100 - 125 | |
|-----------------------|-------------|
| Id. No. | 58 31 50 20 |

Key



| | SINTEX 75 | SINTEX 100 | SINTEX 125 |
|---------|-------------|-------------|-------------|
| Id. No. | 58 49 19 50 | 58 49 19 20 | 58 49 69 20 |

Spindle group



| | SINTEX 75 | SINTEX 100 | SINTEX 125 |
|---------|-------------|-------------|-------------|
| Id. No. | 58 49 90 30 | 58 49 90 10 | 58 49 90 20 |

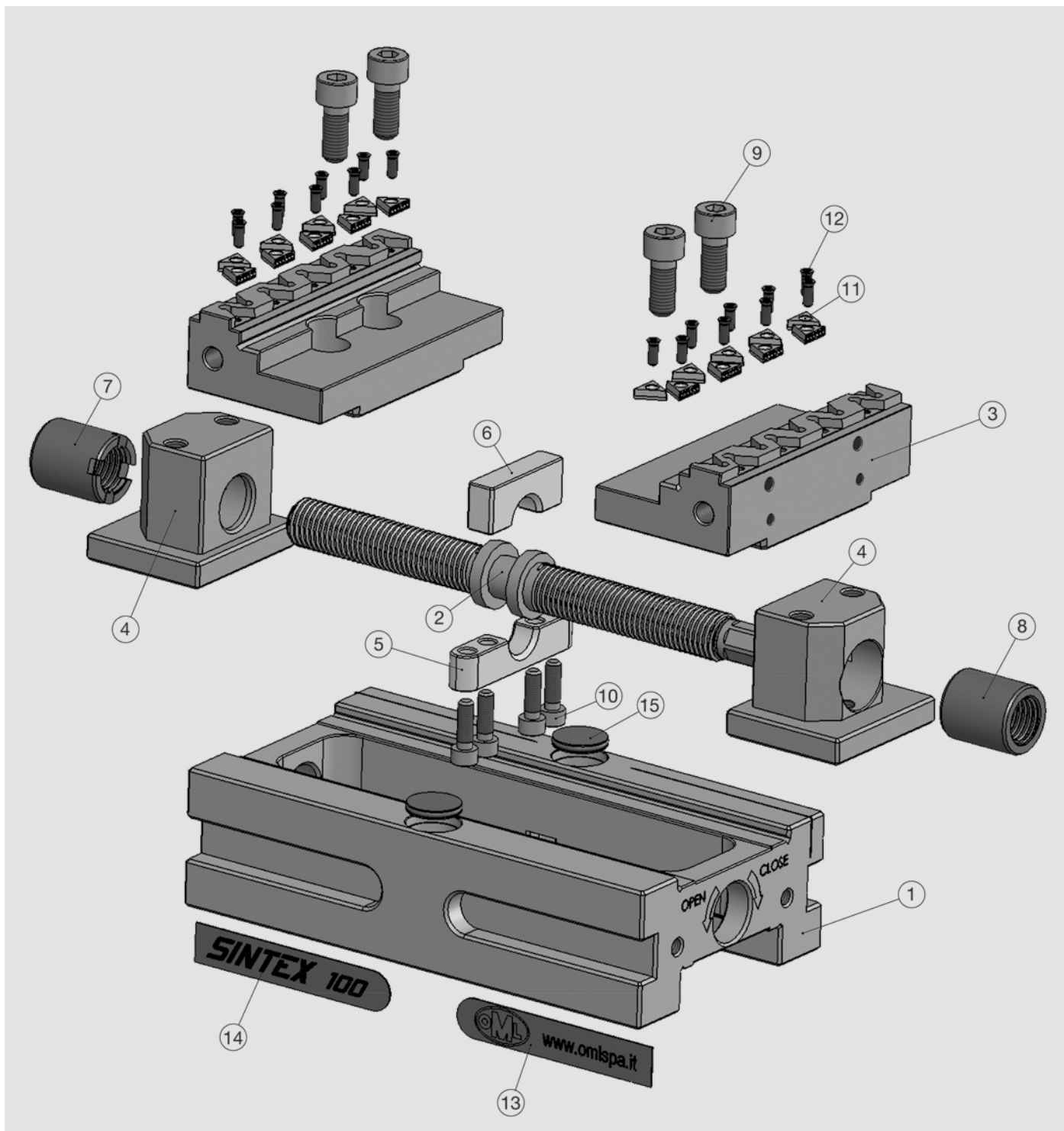
SinterGrip

| | Id. no. | Description |
|---|-------------|---|
|  | 58 45 01 19 | Set of 10 SinterGrip inserts STD for steel |
|  | 58 45 01 29 | set of 10 SinterGrip inserts HRC for hardened steel / titanium until 50-54 HRC |
|  | 58 45 01 39 | Set of 10 SinterGrip inserts for ALU |
|  | 58 45 02 19 | Kit 10VTx30 for inserts SINTERGRIP |
|  | 58 45 05 19 | Kit 10 protection inserts in aluminum |



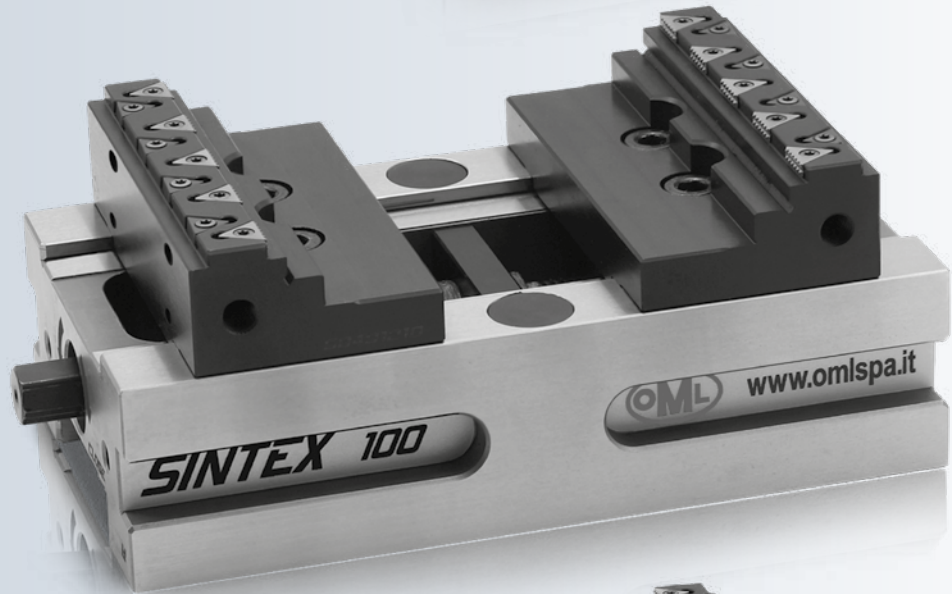
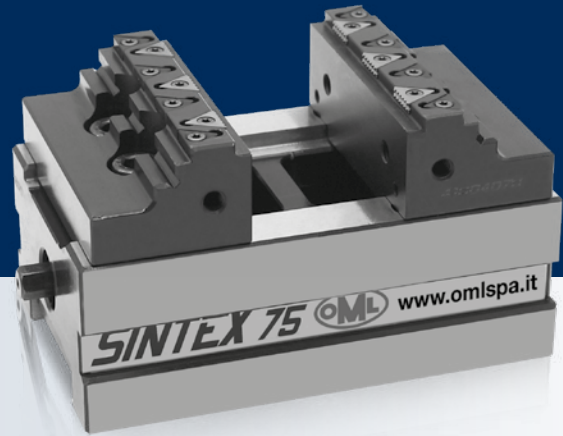
Find out more





| | | | |
|-------------------------|--------------------------|-----------------------------------|--------------------------|
| 1 - Base Sintex | 5 - Lower support | 9 - Screw TCEI | 13 - SINTEX label |
| 2 - Main screw | 6 - Upper support | 10 - Screw TCEI | 14 - SINTEX label |
| 3 - Jaw | 7 - Bush | 11 - SinterGrip insert STD | 15 - Plug |
| 4 - Block driver | 8 - Bush | 12 - Screw TORX | |

SINTEX



5
axis