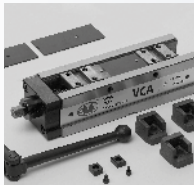




## 5-Axis Machine Tools



### VCA

- VCA 100
- VCA 130
- VCA 160

Page 5.4.2



### VCA

- Spare parts

Page 5.4.8



### VCA

- Accessories

Page 5.4.4



### VCA

- Application examples

Page 5.4.13



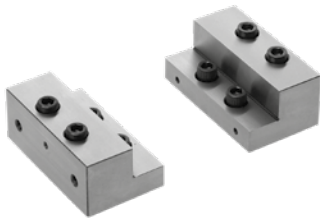
### Self-centering set base VCA

Set base Vise Power complete with:  
 wrench  
 cover for the protection of the screw  
 2 positioning keys with screw  
 4 clamps

Type for	Id. No.
VCA 100	77589070
VCA 130	77589170
VCA 160	77589270

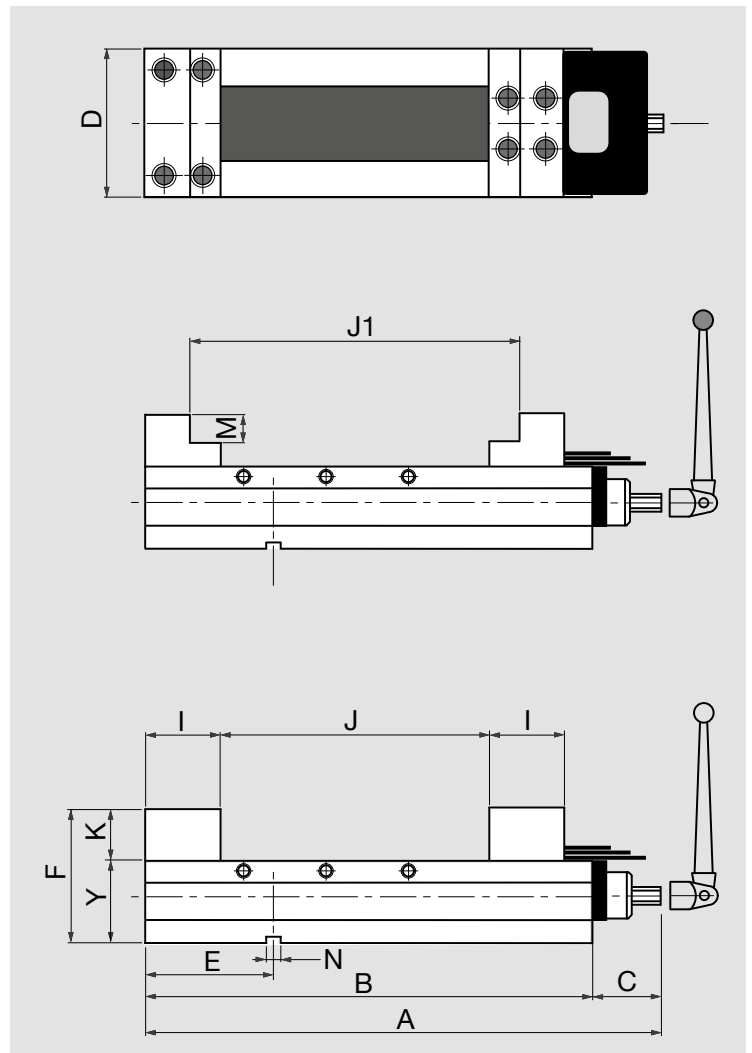
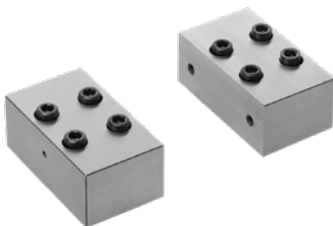
### "L" jaw kit

Type for	Id. No.
VCA 100	58907120
VCA 130	58917120
VCA 160	58927120



### Square block jaw kit

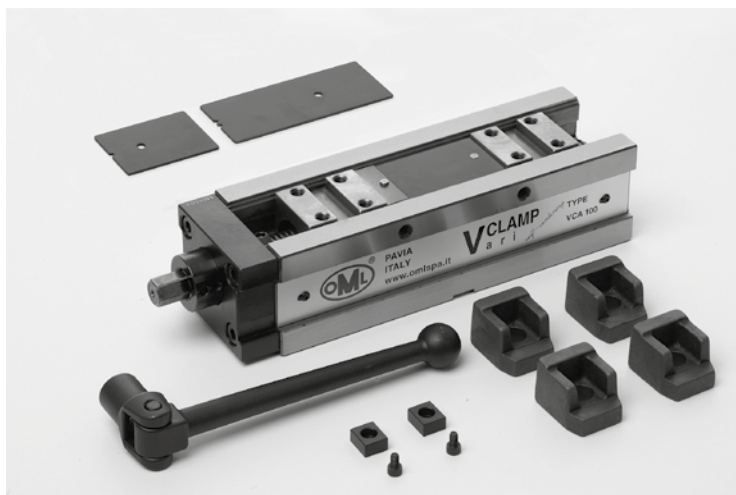
Type for	Id. No.
VCA 100	58907220
VCA 130	58917220
VCA 160	58927220



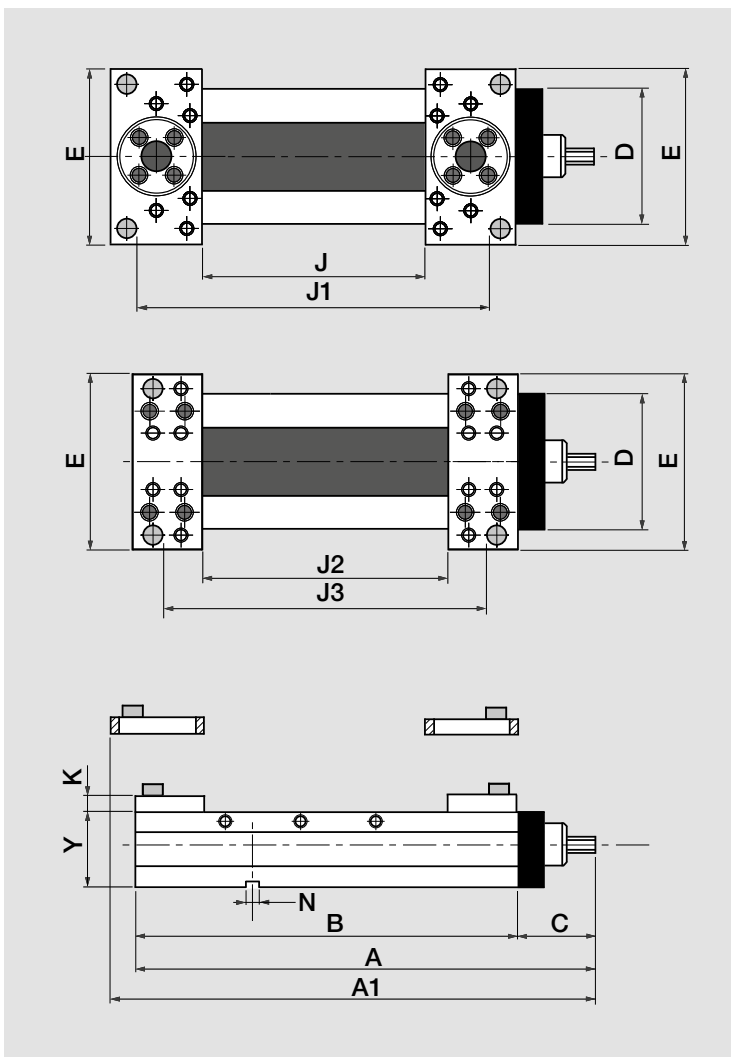
Type	A mm	B mm	C mm	D mm	E mm	F mm	J mm		J1 mm		I mm	K mm	M mm	N mm	X mm	Y mm	Max clamping force KN (kgf)	Weight Kg
							min	max	min	max								
VCA 100	378	300		101	150	130	40	165	40	220	64	45	25		45	85	20 (2.000)	22
VCA 130	488	410	78	131	205	147	40	250	40	320	74	52	30	18	65	95	23 (2.300)	40
VCA 160	553	475		161	237,5	160	40	290	40	370	86	55	30		65	105	24 (2.400)	60

## Self-centering set base VCA

Set base Vise Power complete with:  
 wrench  
 cover for the protection of the screw  
 2 positioning keys with screw  
 4 clamps



Type for	Id. No.
VCA 100	77589070
VCA 130	77589170
VCA 160	77589270



## Gripper jaw kit

Type for	Id. No.
VCA 100	58907330
VCA 130	58917330
VCA 160	58927330



## Floating gripper jaw kit

Type for	Id. No.
VCA 100	58907340
VCA 130	58917340
VCA 160	58927340

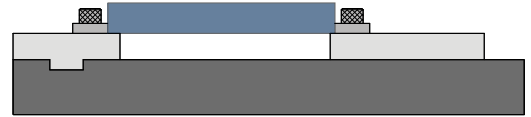


Type	A mm	A1 mm	B mm	C mm	D mm	E mm	J mm		J1 mm	J2 mm		J3 mm	K mm	N mm	Y mm	Max clamping force KN (kgf)	Weight Kg
							min	max		min	max						
VCA 100	378	397	300		101	160	5	122	270	40	170	230		85	20 (2.000)	19	
VCA 130	488	513	410	78	131	190	5	205	377	30	255	340	22	18	95	23 (2.300)	34
VCA 160	553	584	475		161	220	11	230	450	40	295	390		105	24 (2.400)	53	



Set of 4 grippers h11 smooth

**Id. No.**  
58906114



Set of 4 grippers h11 serrated

**Id. No.**  
58906124



Set of 4 grippers h19 smooth

**Id. No.**  
58906214



Set of 4 grippers h19 serrated

**Id. No.**  
58906224



Set of 4 grippers h24 smooth

**Id. No.**  
58906314

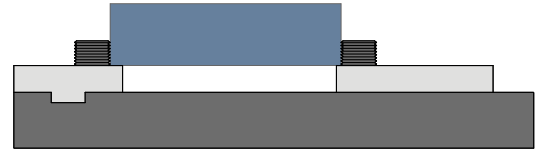




Set of 4 grippers h24 serrated

Id. No.

58906324



Set of 4 grippers h11 smooth-serrated

Id. No.

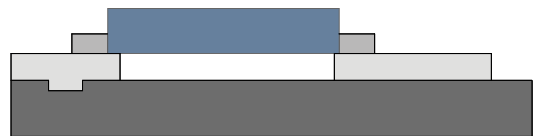
58906414



Set of 4 soft grippers h25 smooth

Id. No.

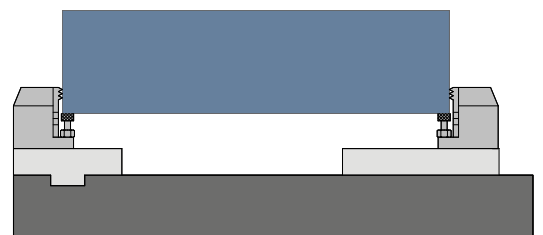
58906514



Set of 4 grippers h50 serrated with adjustable screw

Id. No.

58906724



Set of 4 grippers h50 smooth with step

Id. No.

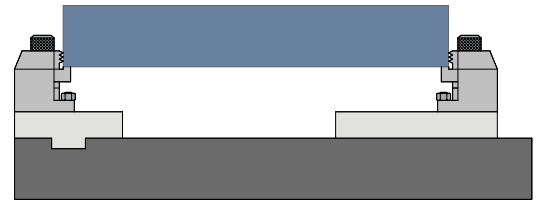
58906814





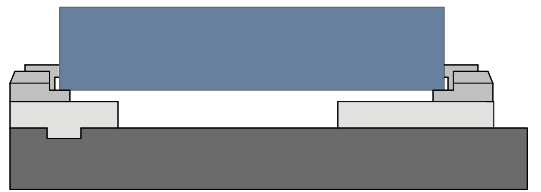
Set of 4 grippers h50 serrated with step

**Id. No.**  
58906824



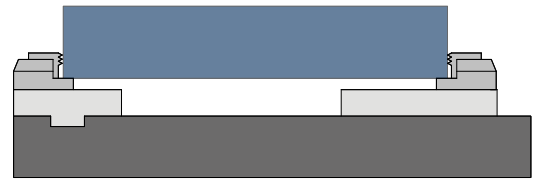
Set of 4 grippers h25 smooth with adjustable screw

**Id. No.**  
58906614



Set of 4 grippers h25 serrated with adjustable screw

**Id. No.**  
58906624

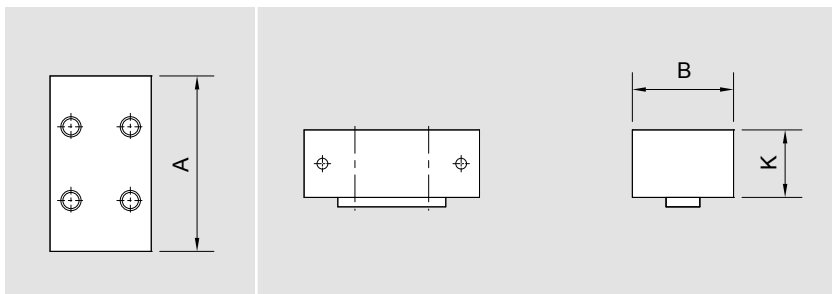


Set of 4 grippers h50 smooth with adjustable screw

**Id. No.**  
58906714

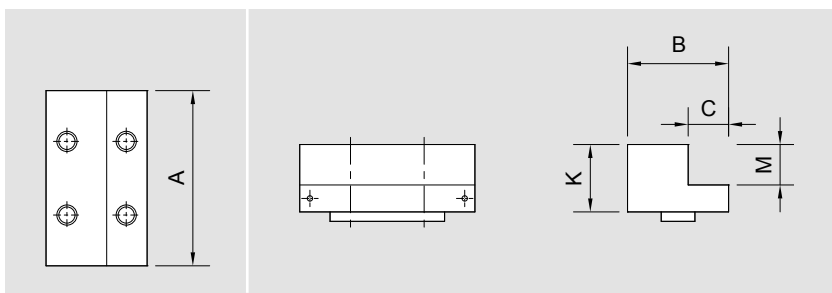


Moveable square block jaw (with expanding chip cover)



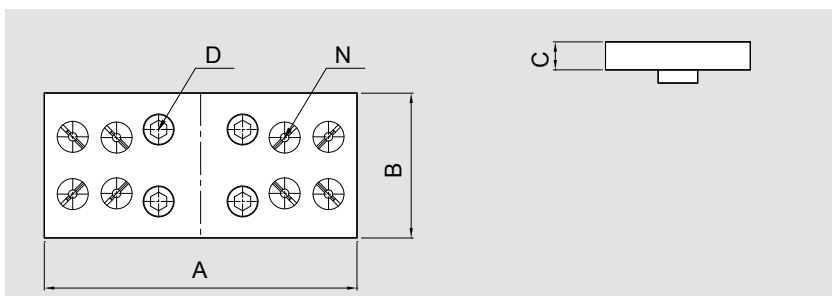
Id. No.	Type	A mm	B mm	K mm	Weight Kg
58900320	100	100	64	45	2,5
58910320	130	130	74	52	4,5
58920320	160	160	86	55	6

Moveable jaw "L" type (with expanding chip cover)



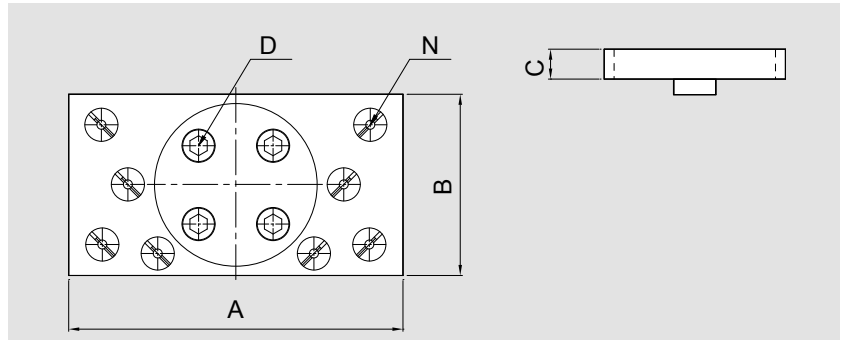
Id. No.	Type	A mm	B mm	C mm	K mm	M mm	Weight Kg
58900310	100	100	64	26	45	25	1,5
58910310	130	130	74	30	52	30	2,8
58920310	160	160	86	35	55	30	4,2

Moveable jaw gripper



Id. No.	Type	A mm	B mm	C mm	D mm	N	Weight Kg
58900330	100	160	64	22	M10x25L	6	1,4
58910330	130	190	88	22	M12x30L	8	2,2
58920330	160	220	88	22	M14x30L	8	3,3

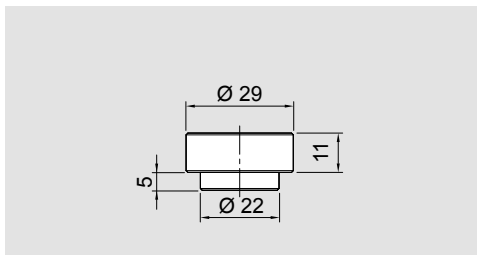
Floating jaw gripper



Id. No.	Type	A mm	B mm	C mm	D mm	N	Weight Kg
58900340	VCP 100	160	88	22	M10x25L	6	2,2
58910340	VCP 130	190	103	22	M12x30L	8	3,2
58920340	VCP 160	220	128	22	M14x30L	8	5,7

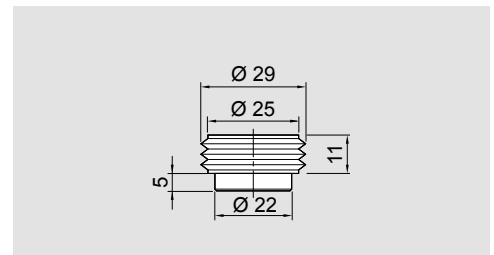
Gripper h11 smooth

Id. No.  
58906110



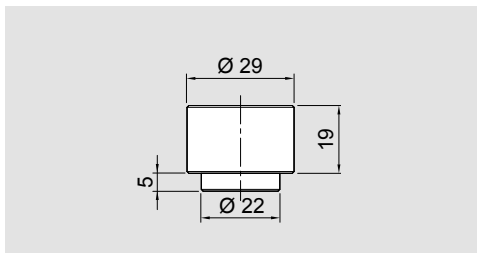
Gripper h11 serrated

Id. No.  
58906120



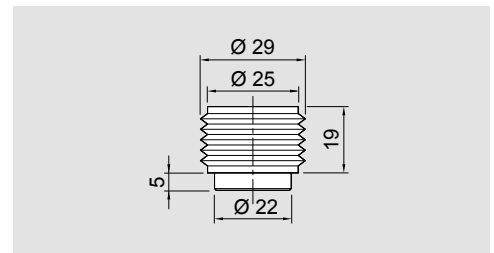
Gripper h19 smooth

Id. No.  
58906210



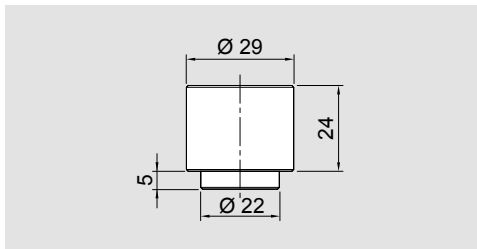
Gripper h19 serrated

Id. No.  
58906220



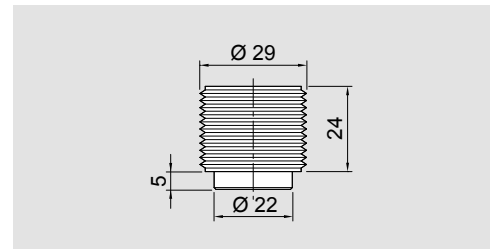
Gripper h24 smooth

Id. No.  
58906310



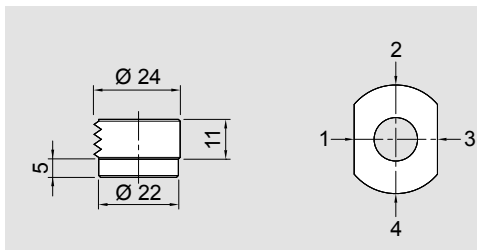
Gripper h24 serrated

Id. No.  
58906320



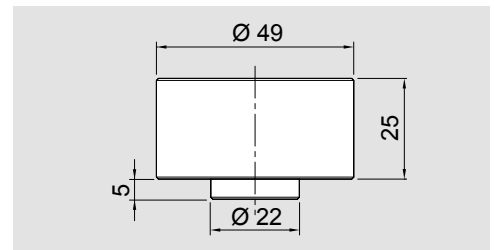
Gripper h11 smooth-serrated

Id. No.  
58906410



Soft gripper h25 smooth

Id. No.  
58906510

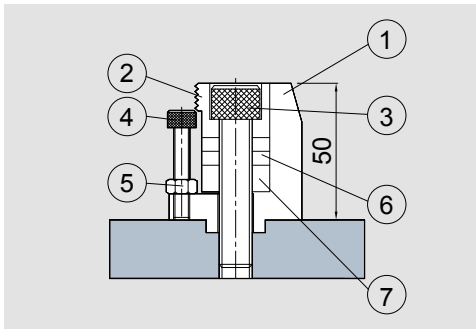




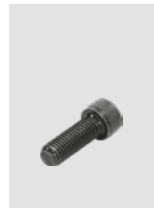
Gripper h50 serrated with adjustable screw

Id. No.

58906720



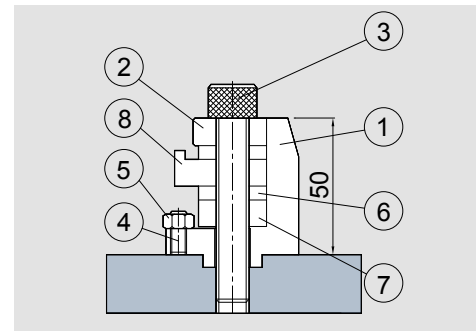
Pos.	Id. No.	Description
1	58905120	Body
2	58905220	Serrated gripper
3	71113109	Screw TCEI M12x60 12.9
4	71113047	Screw TCEI M6x30 12.9
5	71150206	Nut M6
6	58905410	Washer (5 mm)
7	58905420	Washer (10 mm)



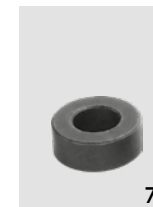
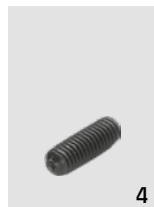
Gripper h50 smooth with step

Id. No.

58906810



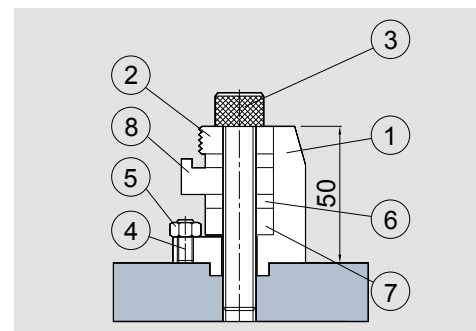
Pos.	Id. No.	Description
1	58905120	Body
2	58905310	Smooth gripper
3	71113110	Screw TCEI M12x70 12.9
4	71112124	Grub screw M6x16
5	71150206	Nut M6
6	58905410	Washer (5 mm)
7	58905420	Washer (10 mm)
8	58905510	Step washer



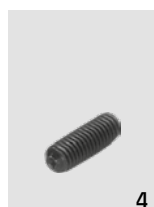
Gripper h50 serrated with step

Id. No.

58906820

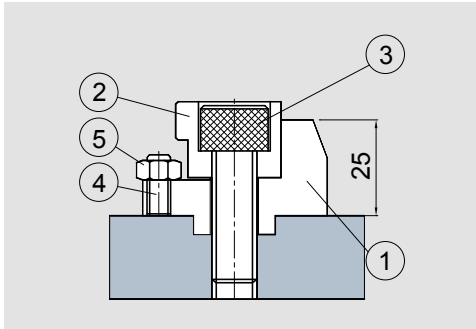


Pos.	Id. No.	Description
1	58905120	Body
2	58905320	Serrated gripper
3	71113110	Screw TCEI M12x70 12.9
4	71112124	Grub screw M6x16
5	71150206	Nut M6
6	58905410	Washer (5 mm)
7	58905420	Washer (10 mm)
8	58905510	Step washer

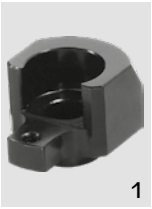


### Gripper h25 smooth with adjustable screw

Id. No.
58906610

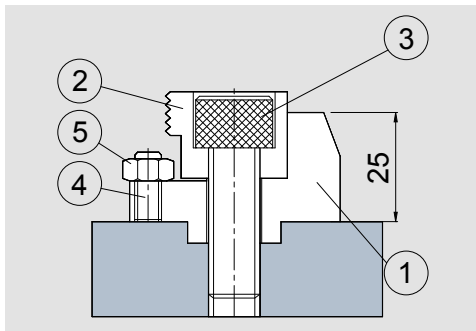


Pos.	Id. No.	Description
1	58905120	Body
2	58905210	Smooth gripper
3	71113105	Screw TCEI M12x35 12.9
4	71112124	Grub screw M6x16
5	71150206	Nut M6



### Gripper h25 serrated with adjustable screw

Id. No.
58906620

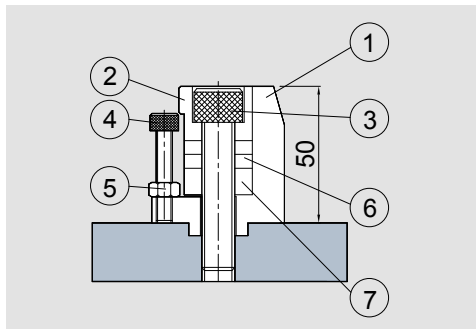


Pos.	Id. No.	Description
1	58905110	Body
2	58905220	Serrated gripper
3	71113105	Screw TCEI M12x35 12.9
4	71112124	Grub screw M6x16
5	71150206	Nut M6



### Gripper h50 smooth with adjustable screw

Id. No.
58906710



Pos.	Id. No.	Description
1	58905120	Body
2	58905210	Smooth gripper
3	71113109	Screw TCEI M12x60 12.9
4	71113047	Screw TCEI M6x16
5	71150206	Nut M6
6	58905410	Washer (5 mm)
7	58905420	Washer (10 mm)

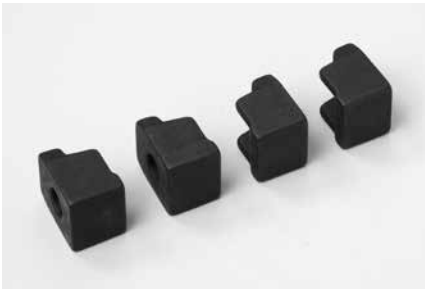


## Pair of positioning keys



Id. No.	mm
58901392	18 x 12
58901393	18 x 14
58901394	18 x 16
58901395	18 x 18
58901396	18 x 20
58901397	18 x 22

## Kit of 4 clamps



Id. No.	for type
58902709	VCP 100 - VP 100
	VCP 130 - VP 130
	VCP 160 - VP 160

## Wrench VCM/VCA



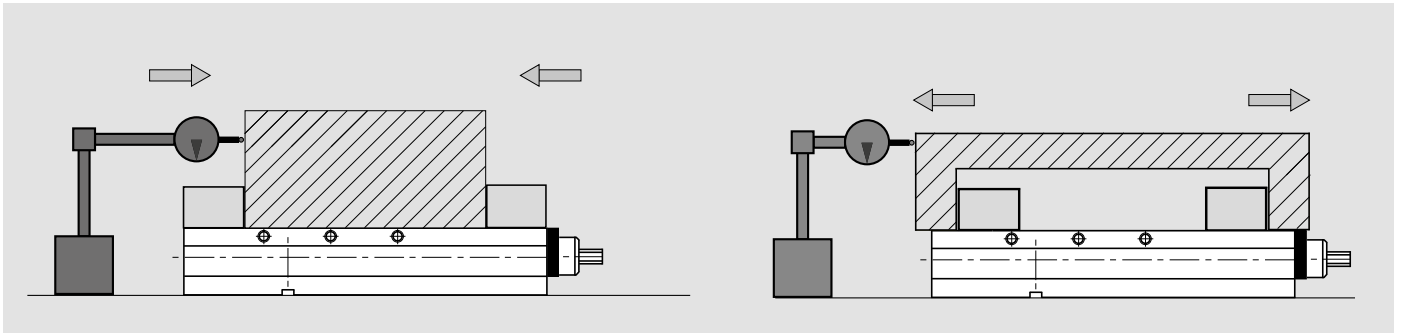
Id. No.	for type
58901910	VCM 100 - VCA 100
	VCM 130 - VCA 130
	VCM 160 - VCA 160

## Torque wrench

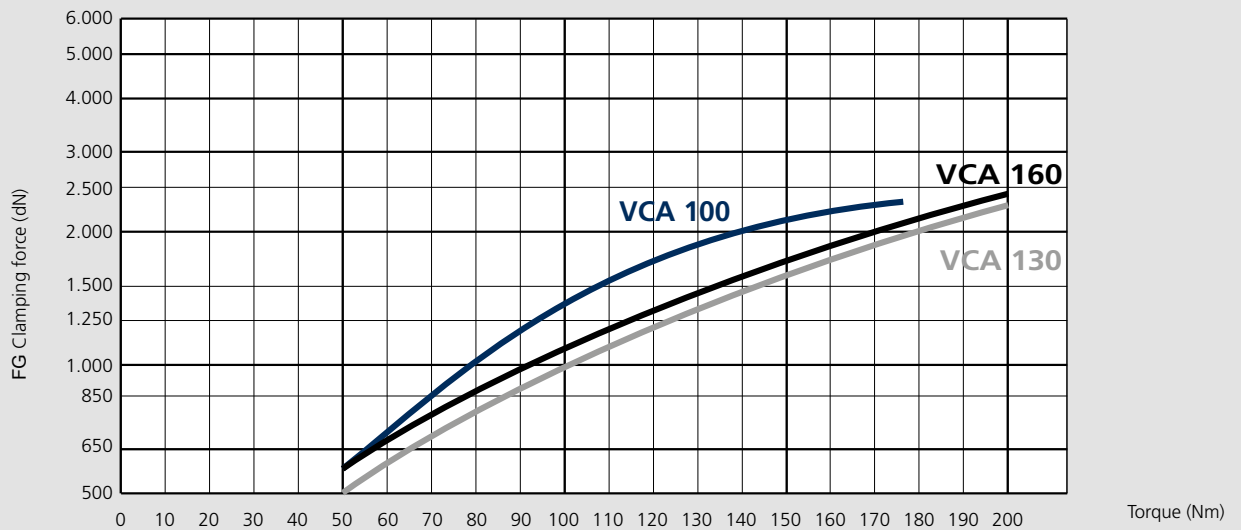


Id. No.	for type
51501010	VCM 100 - VCA 100
	VCM 130 - VCA 130
	VCM 160 - VCA 160

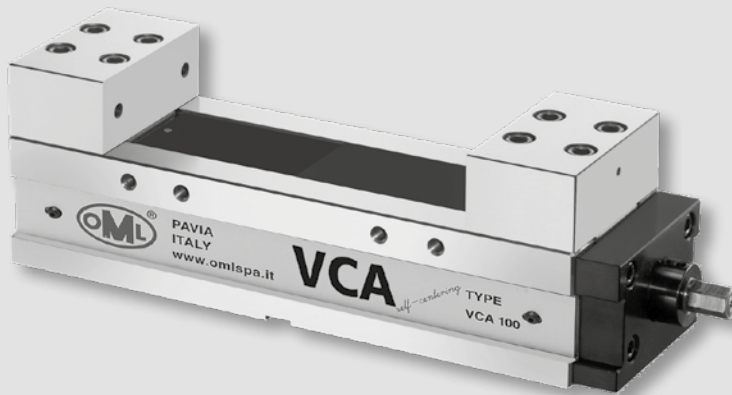
## Repeatability accuracy for the clamping of model VCA $\pm 0,01$



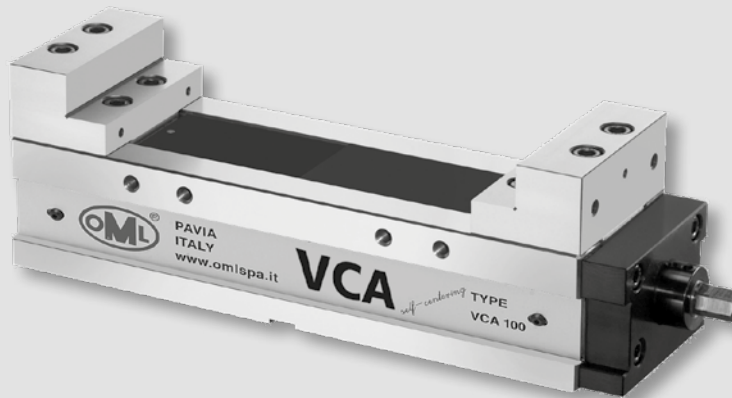
## Clamping force diagrams VCA without clamping force multiplier



Possible configurations of vices "SELF CENTERING"



With block jaws



With L jaws



With gripper jaws



With floating gripper jaws

## 5-Axis Machine Tools

