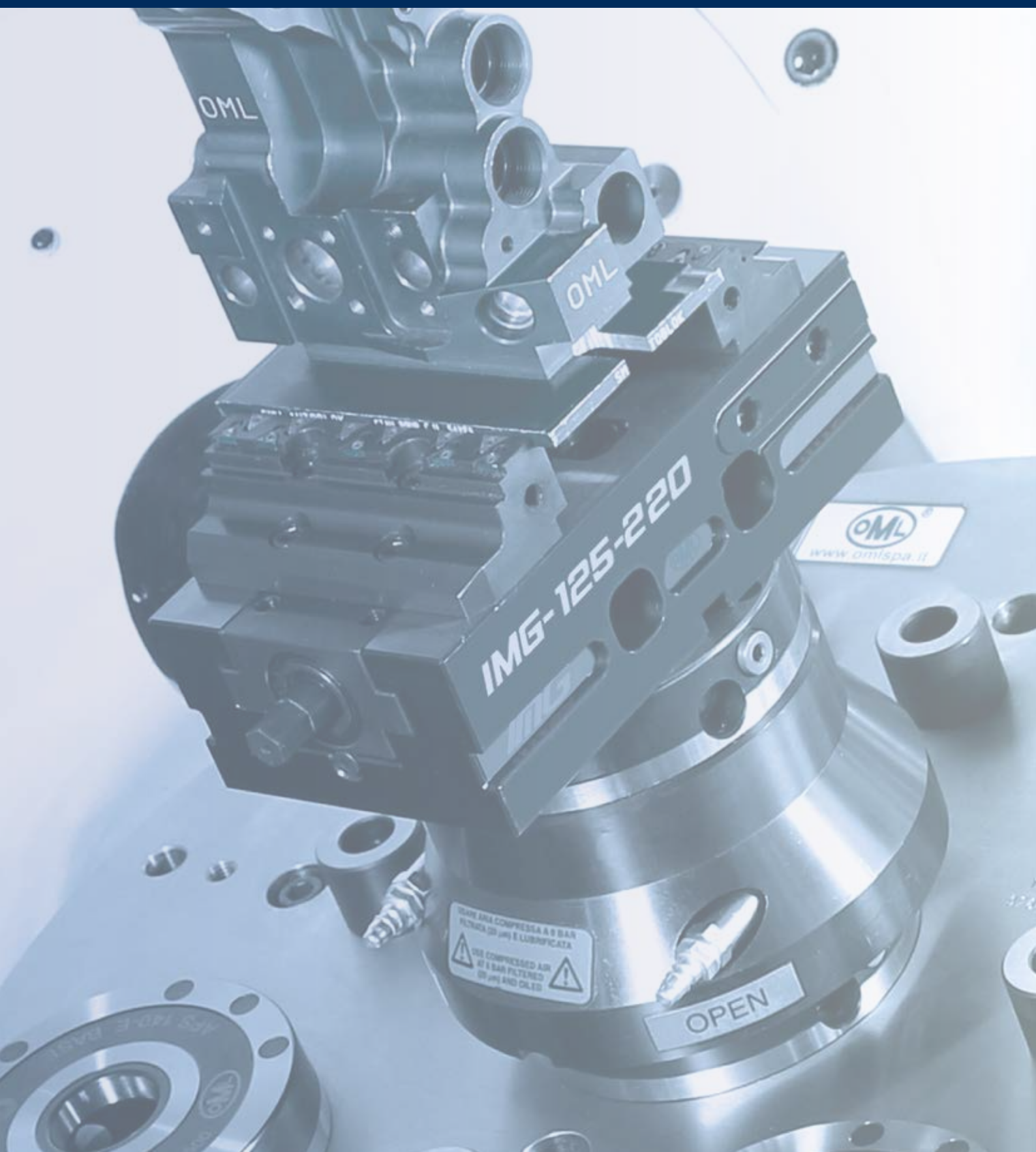




STATIONARY WORKHOLDING

# 5-AXIS WORKHOLDING





OML

OML

IMG-125-220

OML  
www.omlspa.it

USARE ARIA COMPRESSA A 8 BAR  
FILTRATA (50 µm) E LUBRIFICATA  
USE COMPRESSED AIR  
AT 8 BAR FILTERED  
(50 µm) AND OILED

OPEN

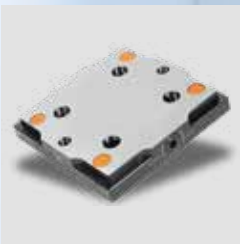
APS 120-E BASTI

OML



# 5-Axis Workholding

## ZERO POINT INTERFACE



▶ **Mechanical Zero Point**  
**PLUS 5**

Pag. 4



▶ **Pneumatic Zero Point**  
**APS**

Pag. 26

## 5-AXIS MACHINE VICES



▶ **Self-centering  
Double Clamping  
Fixed**

**IMG**

Pag. 36



▶ **Self-centering vice**

**V5**

Pag. 82



▶ **Precision vice**

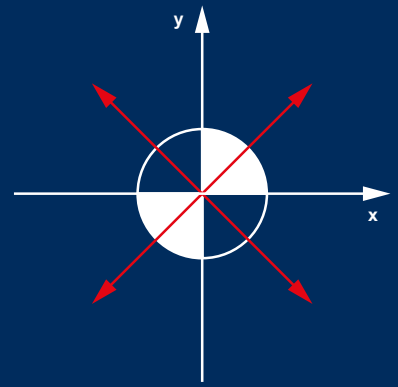
**GENIUS**

Pag. 87



# PLUS5

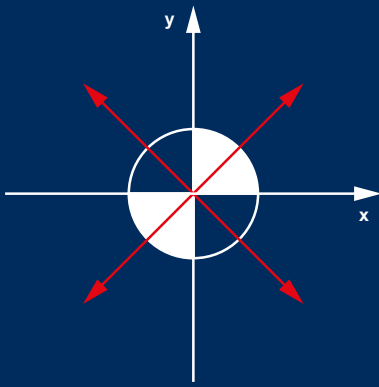
MECHANICAL ZERO POINT SYSTEM



## Working example







# PLUS5

MECHANICAL ZERO POINT SYSTEM



## PLUS 5 - 52

Plus 5 - Mechanical Zero Point system

Page 8



## PLUS 5 - 52/96

Clamping pins

Page 16



## PLUS 5 - 96

Plus 5 - Mechanical Zero Point system

Page 9



## PLUS 5 - 52/96

Matsuura pallet interface plate

Page 18



## PLUS 5 ALL IN ONE 52/96

Plus 5 Plus 5 All in One Mechanical Zero Point system

Page 10



## PLUS 5 - 52/96

Plates

Page 19



## PLUS 5 INDEX - 96

Plus 5 Index- Mechanical Zero Point system

Page 11



## PLUS 5 - 52/96

Alu pyramid

Page 21



## PLUS 5 - 96

Clamping plate

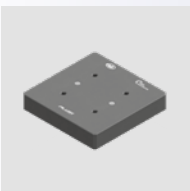
Page 12



## PLUS 5 - 52/96

Tombstone

Page 22



## PLUS 5 - 52/96

Reduction plates

Page 14



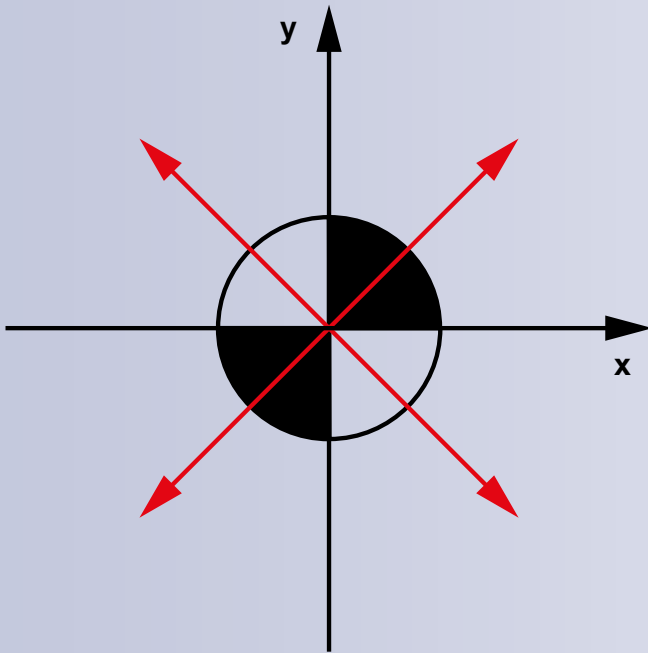
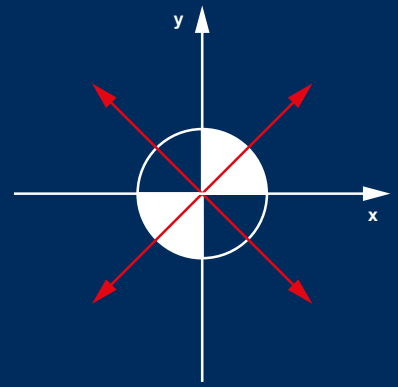
## PLUS 5 - 52/96

Accessories

Page 24

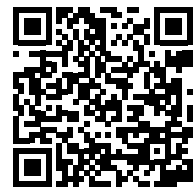
# PLUS5

MECHANICAL ZERO POINT SYSTEM



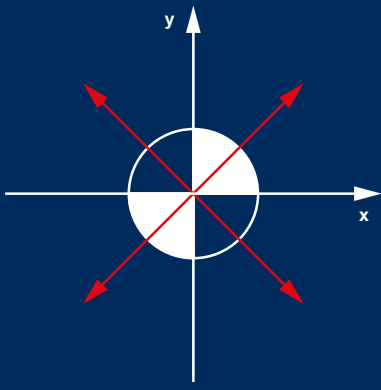
## PLUS5

- ▶ The symbol on the side represents the vectorial force transmission system that acts by binding the pins uniformly and in all directions.



Watch the video

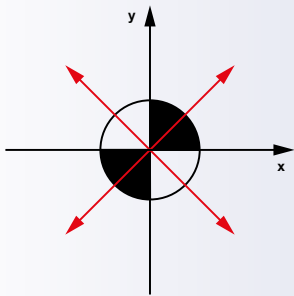




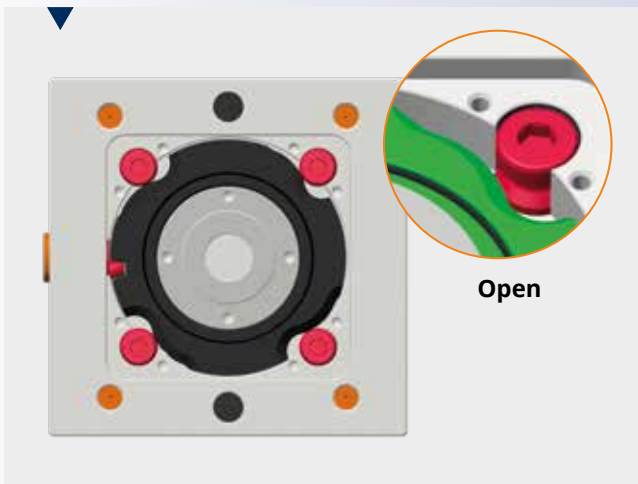
# PLUS5

MECHANICAL ZERO POINT SYSTEM

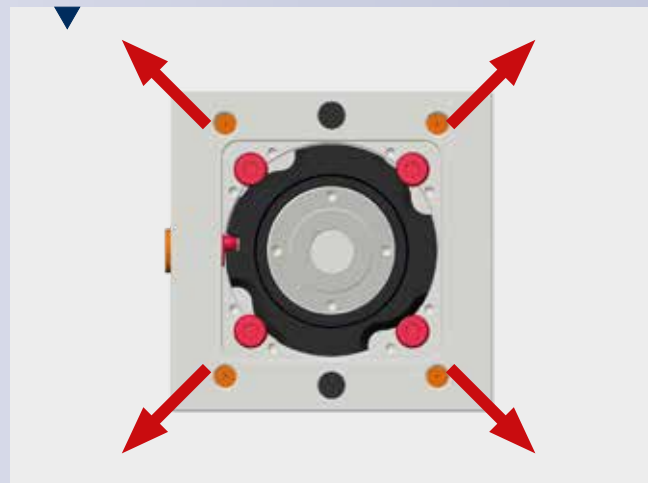
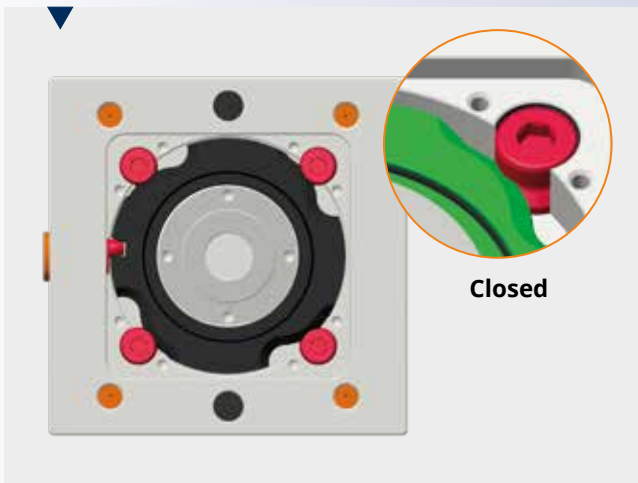
## PLUS5 BENEFITS



- ▶ Locking and unlocking system of the pins with a rotation of only 180 degrees
- ▶ Does not require a torque wrench. The limit switch determines locking / unlocking
- ▶ Repeatability < 0.005mm
- ▶ Pull down force 7 kN for Plus 5 52 and 8 kN for Plus 5 96
- ▶ Holding force 40 kN for Plus 5 52 and 80 kN for Plus 5 96



The mechanism designed for locking the pins consists of a cam which is operated by an eccentric pin. The system guarantees high performance in terms of precision and clamping force. This is due in particular to the fact that the cam locks the 4 pins outwards at the same time.

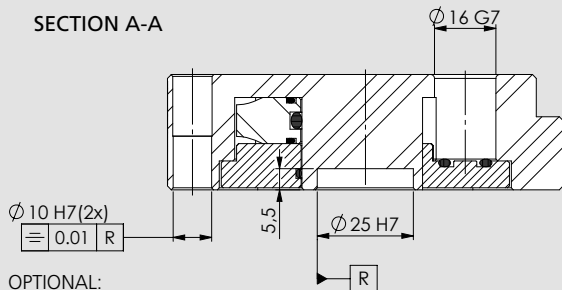




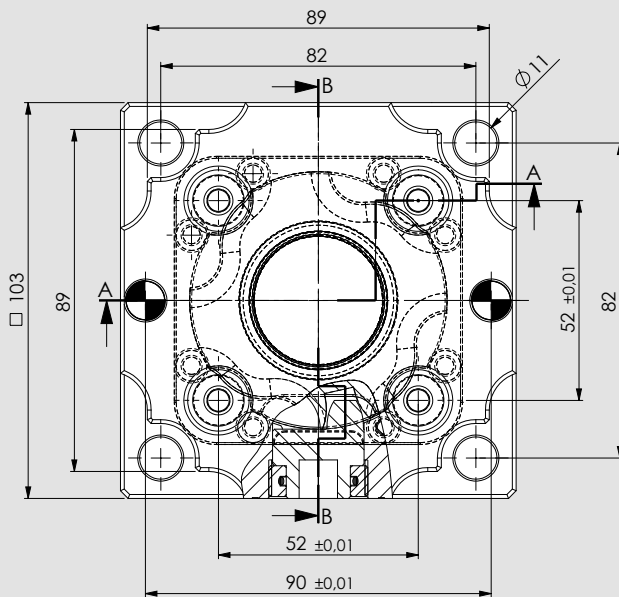
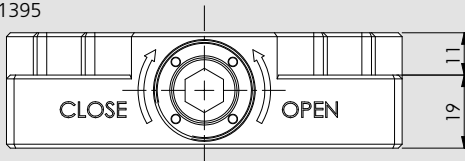
- Complete with wrench 10mm
- Pins not included



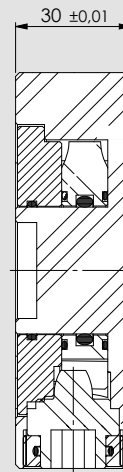
SECTION A-A



OPTIONAL:  
Multislot positioning key  
58341393 / 58341395



SECTION B-B



Subject to technical changes.

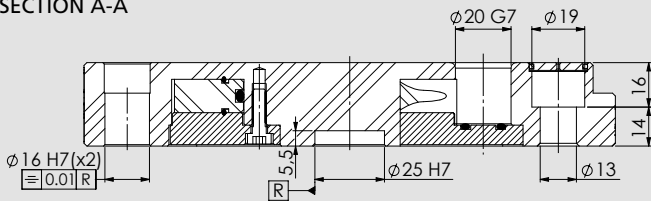
Id. No.  
46240101

Weight (Kg)  
2

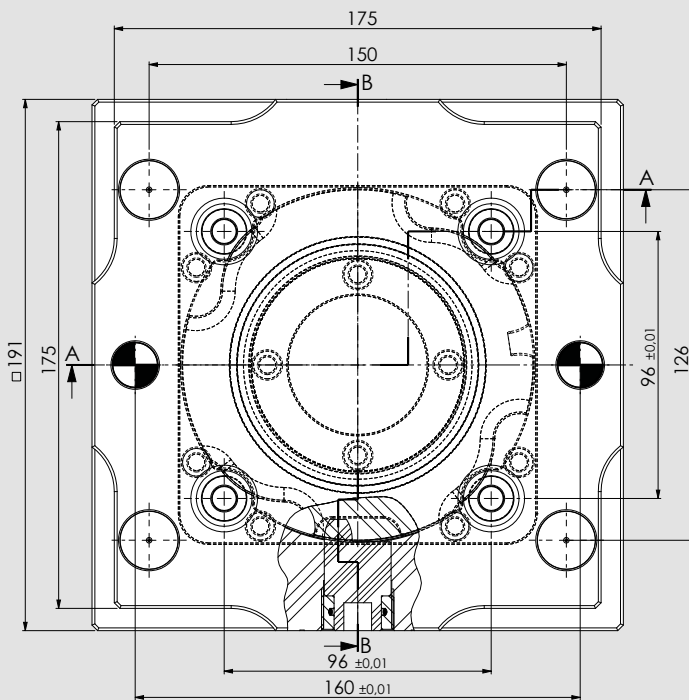
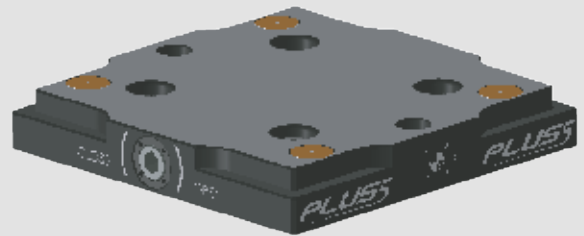
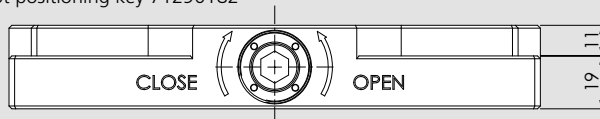


- Complete with wrench 10mm
- Pins not included

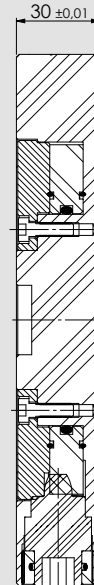
SECTION A-A



OPTIONAL:  
Multislot positioning key 71290182



SECTION B-B



Subject to technical changes.

Id. No.  
46240102

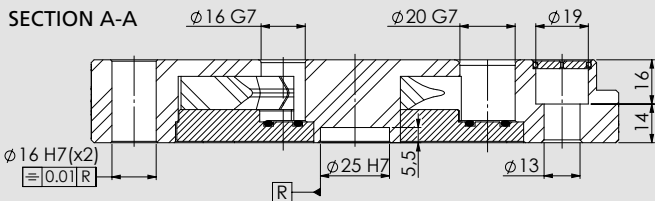
Weight (Kg)  
7,5

# PLUS 5 All in One 52/96

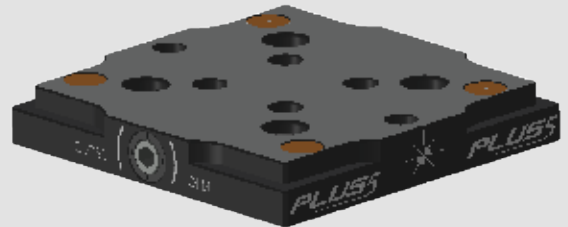
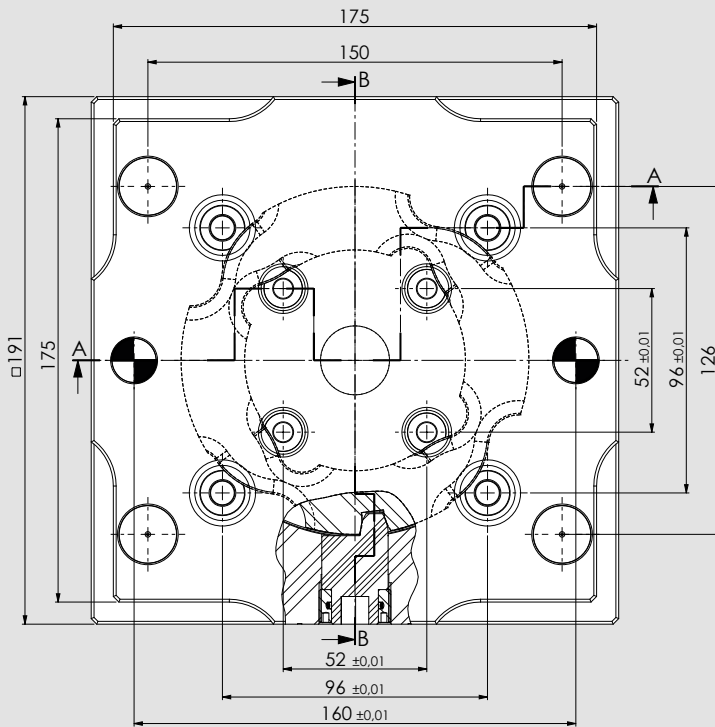
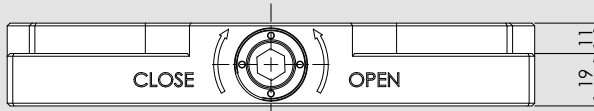
## PLUS 5 All in One - Mechanical Zero Point system



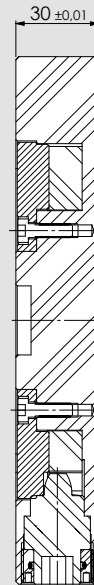
- Complete with:
  - wrench 10mm
  - protection caps (Plus 5 52 / 96)
- Pins not included



OPTIONAL:  
Multislot positioning key 71290182



SECTION B-B



Subject to technical changes.

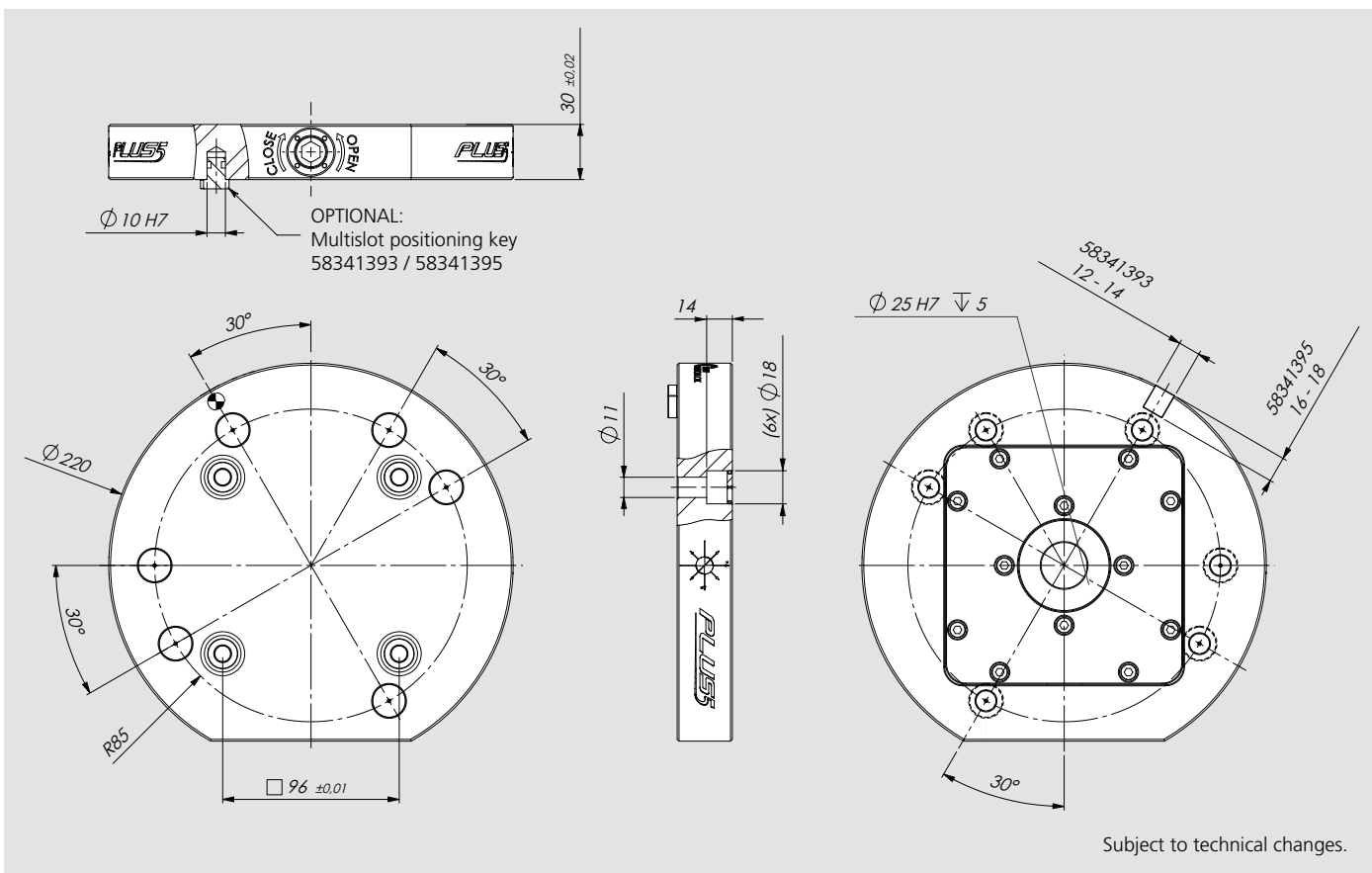
Id. No.  
46240103

Weight (Kg)  
7,5



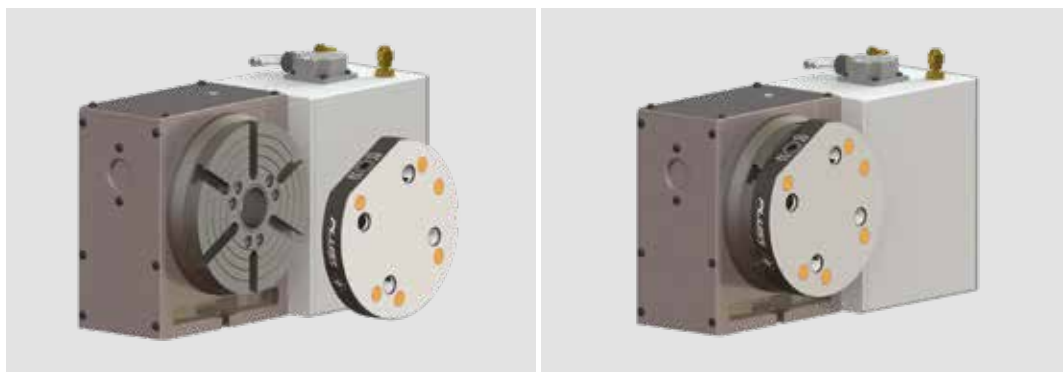


- Complete with wrench 10mm
- Pins not included



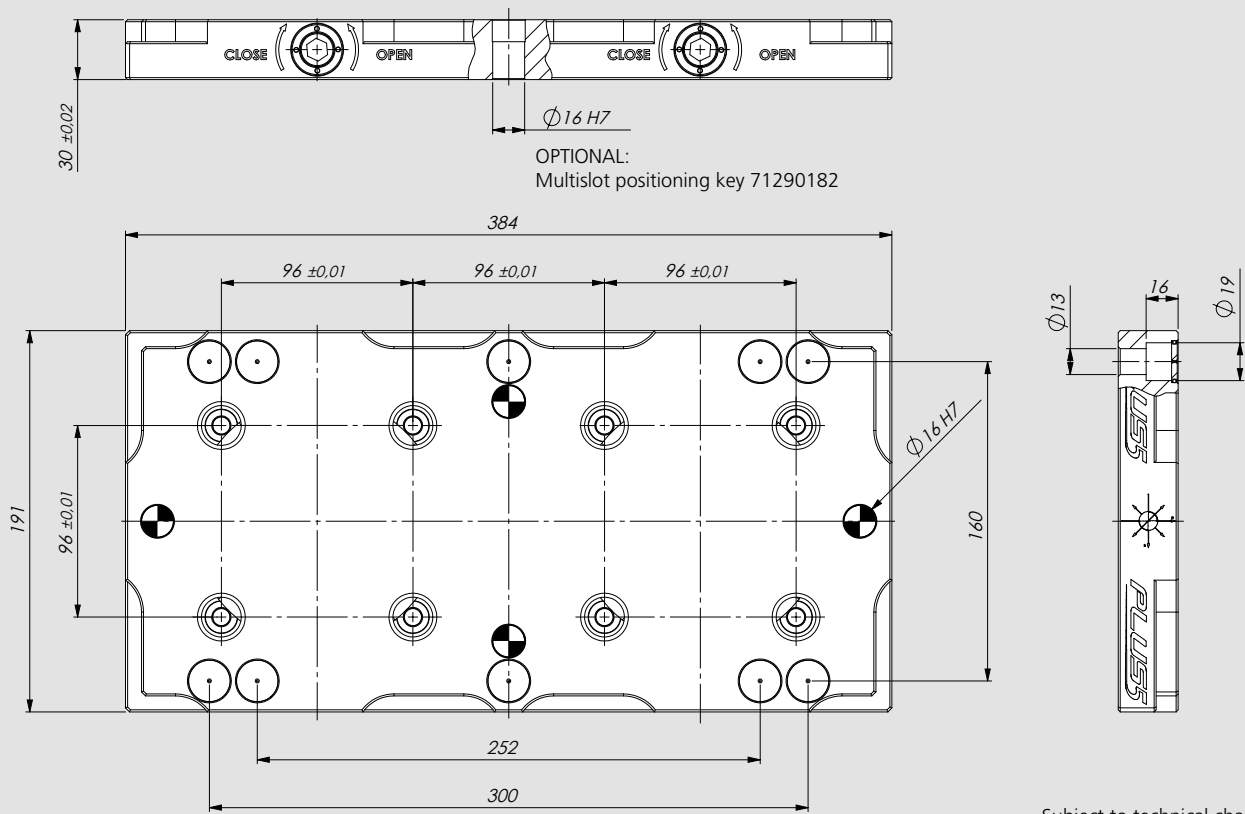
Id. No.	Weight (Kg)
46240112	8

Working example





- Complete with:
  - wrench 10mm
  - n. 2 safety plates (Id. No. 46248215)
- Pins not included



Subject to technical changes.

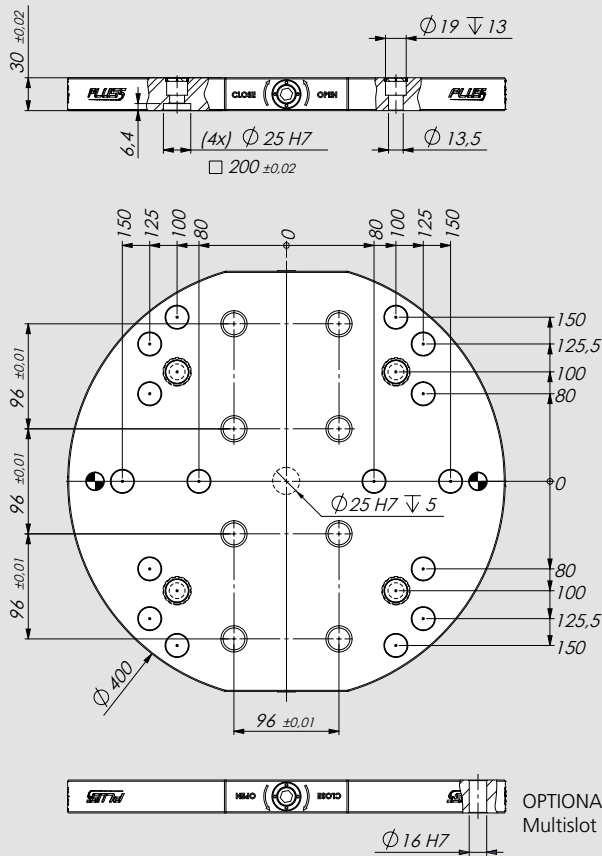
Id. No.	Weight (Kg)
46248210	16

### Working example





- Complete with:
  - wrench 10mm
  - n. 2 safety plates (Id. No. 46248215)
- Pins not included



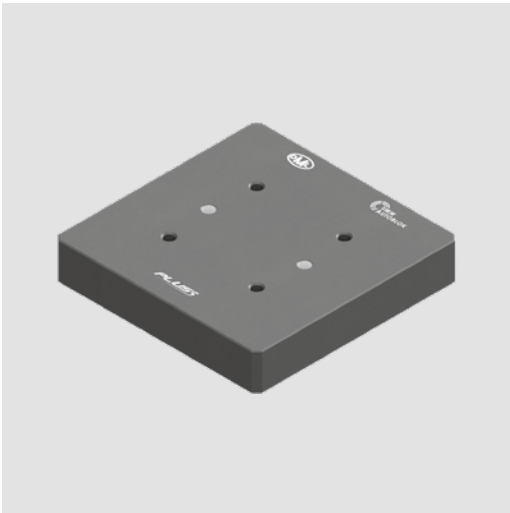
Subject to technical changes.

Id. No.	Weight (Kg)
46248220	27

Working example

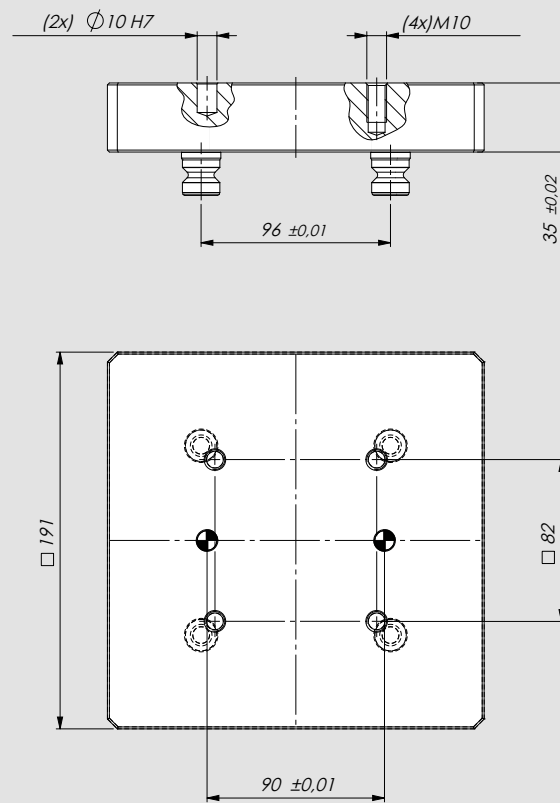






Complete with

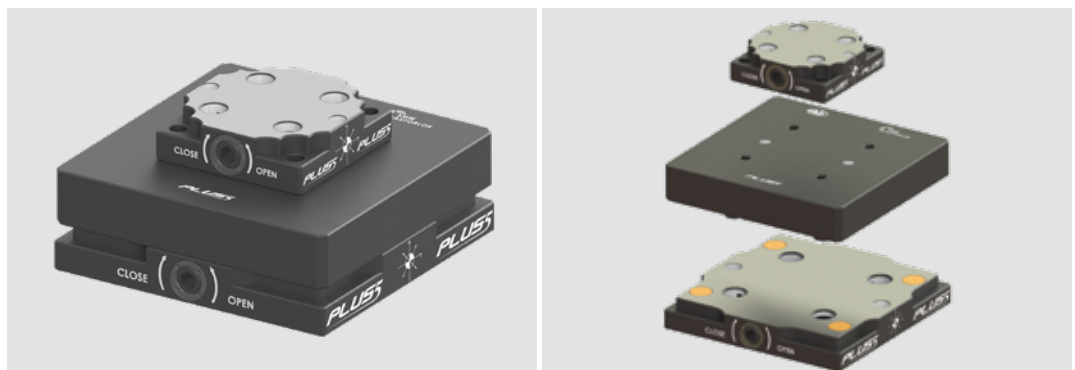
- Fixing screws and dowel pins for Plus 5 52
- Set of 4 Plus 5 96 pins

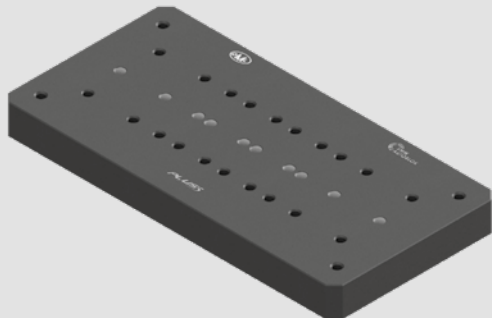


Subject to technical changes.

Id. No.	Weight (Kg)
46242210	10

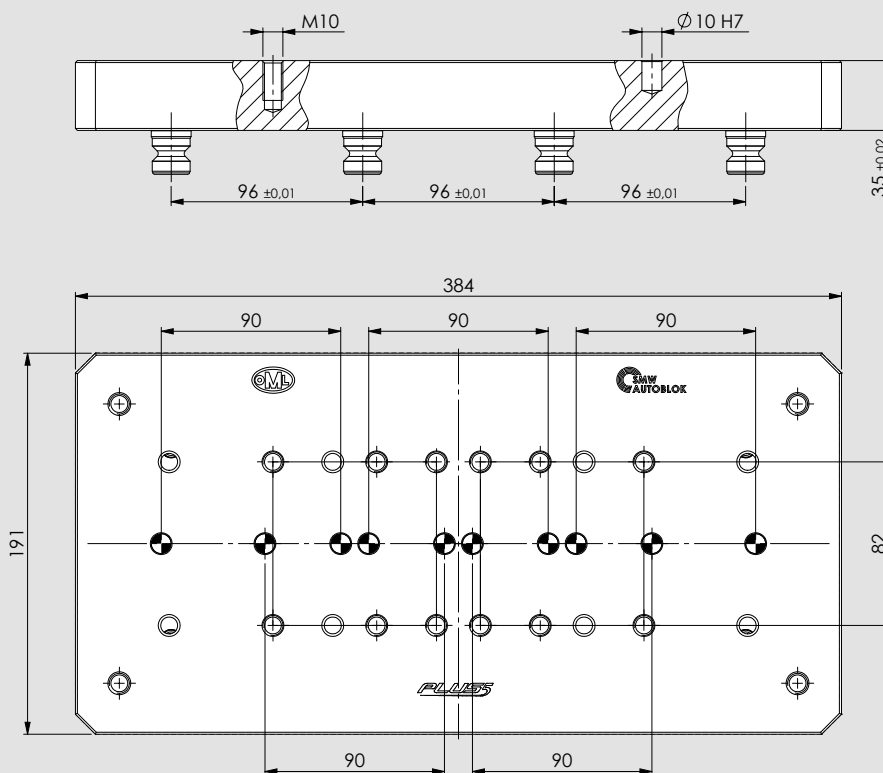
### Working example





Complete with

- Fixing screws and dowel pins for Plus 5 52
- n. 2 Set of 4 Plus 5 96 pins



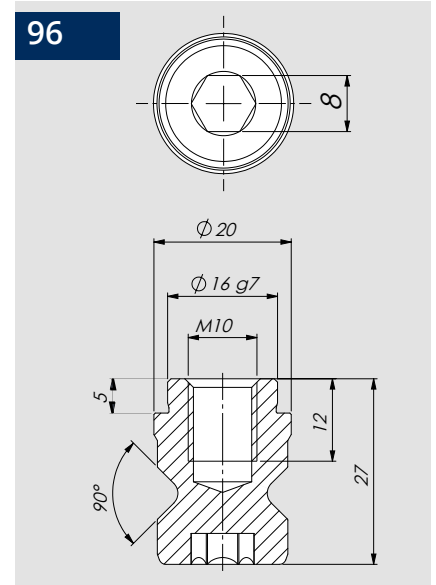
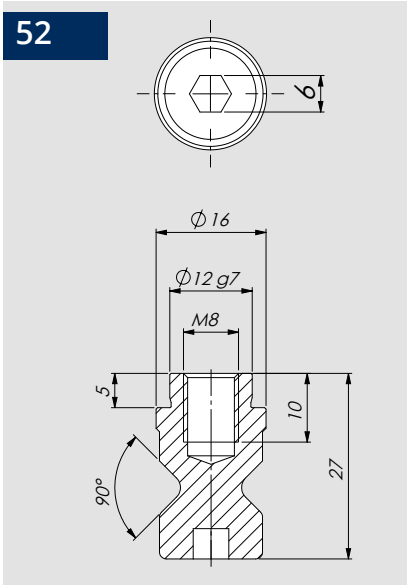
Subject to technical changes.

Id. No.	Weight (Kg)
46242220	21

Working example



### Clamping pins

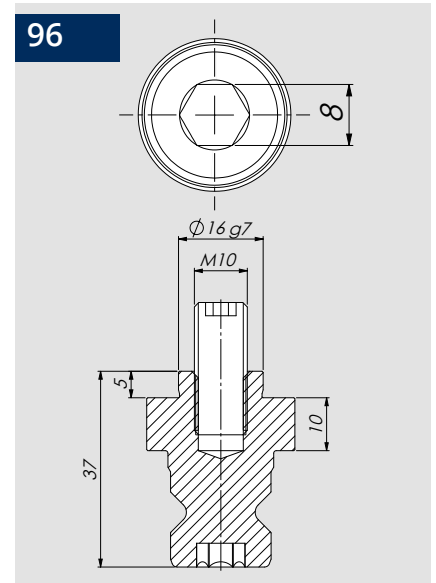
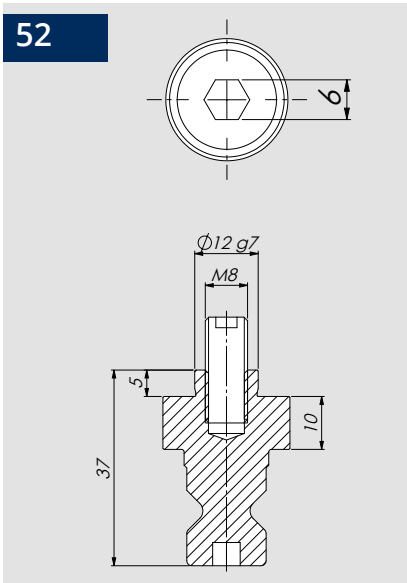


- Complete of grub screw M8 for Plus5 52 and M10 for Plus5 96

Description	Id. No.	Weight (Kg)
Set of 4 pins for PL5 - 52	46240214	0,12
Set of 4 pins for PL5 - 96	46240224	0,20
Pin for PL5 - 52	46240210	0,03
Pin for PL5 - 96	46240220	0,05

The dimensions of the pin identify compatibility with other pins on the market

### Raised clamping pins

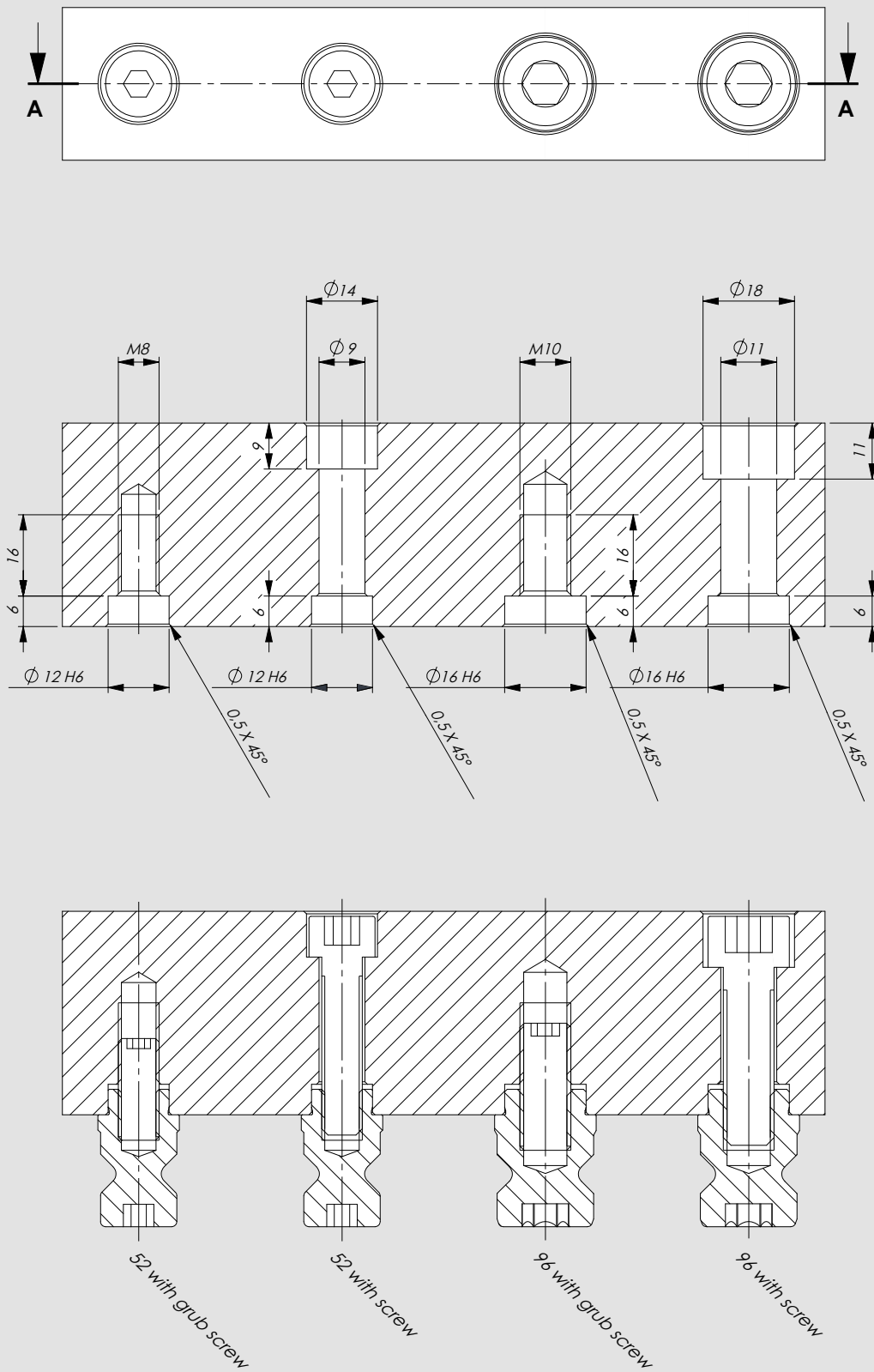


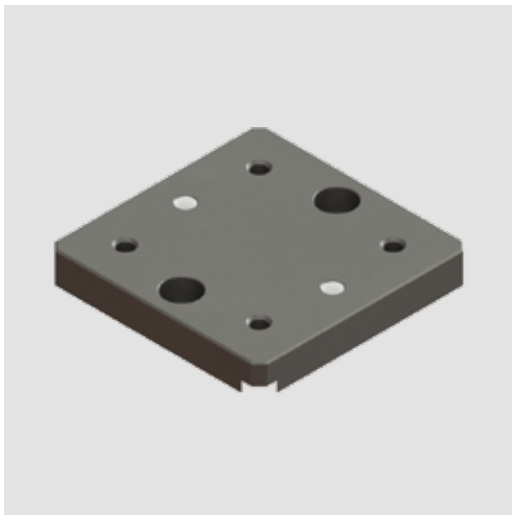
- Complete of grub screw M8 for Plus5 52 and M10 for Plus5 96

Description	Id. No.	Weight (Kg)
Set of 4 raised pins for PL5 - 52	46240234	0,12
Set of 4 raised pins for PL5 - 96	46240244	0,20
Raised pin for PL5 - 52	46240230	0,03
Raised pin for PL5 - 96	46240240	0,05

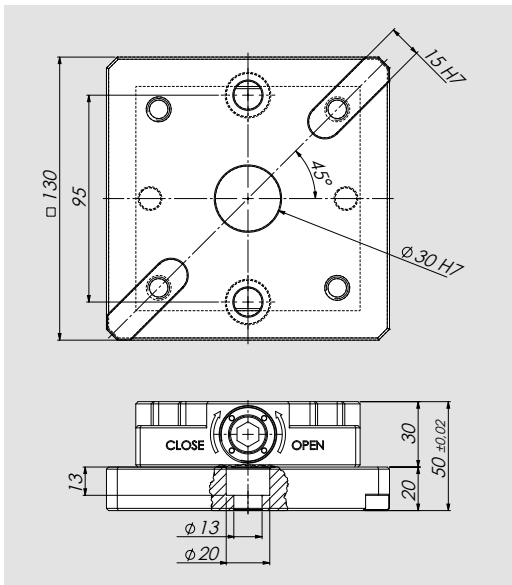
The dimensions of the pin identify compatibility with other pins on the market







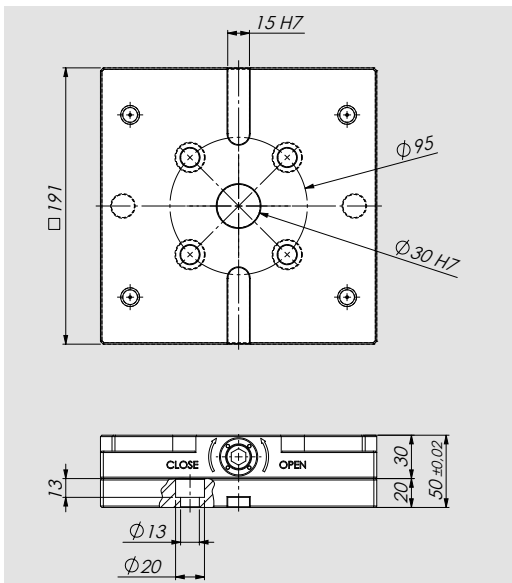
### Working examples



### PLUS 5 - 52 Matsuura pallet interface plate

Complete with screws and dowel pins  
Plus 5 not included

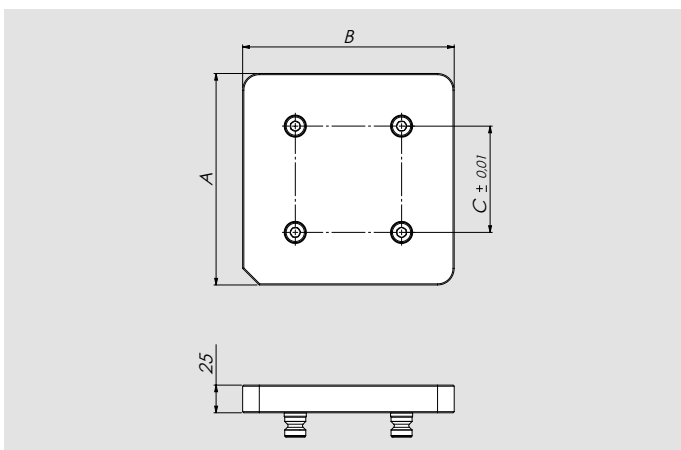
Id. No.	Weight (Kg)
46242110	2,5



### PLUS 5 - 96 Matsuura pallet interface plate

Complete with screws and dowel pins  
Plus 5 not included

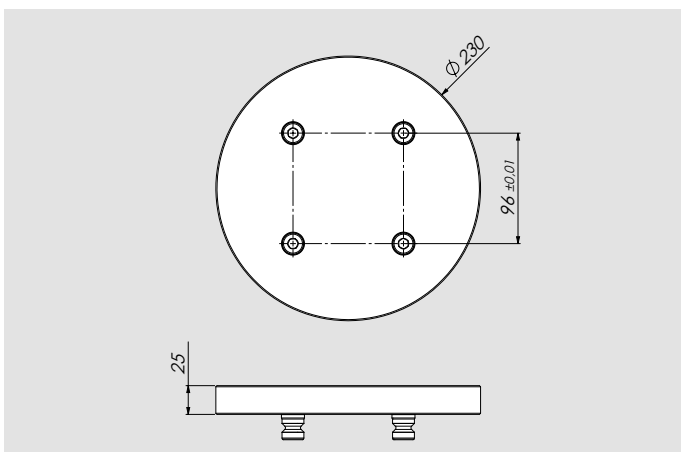
Id. No.	Weight (Kg)
46242120	5,5



**PLUS 5 - 52 / 96**  
**Smooth plate**

Complete with set of 4 pins

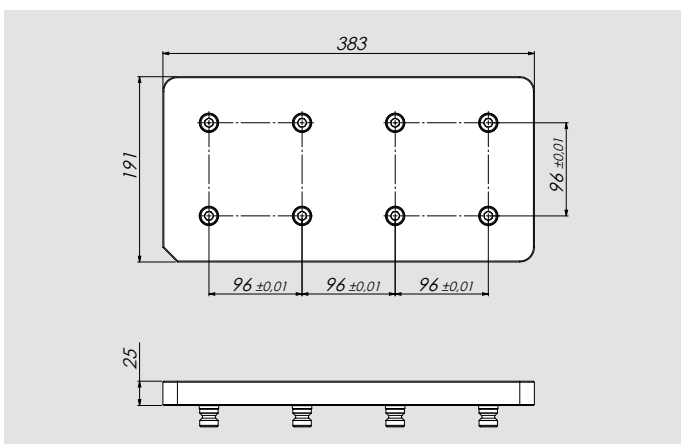
Id. No.	Type	A	B	C	Weight
46247710	52	103	103	52	2 Kg
46247720	96	191	191	96	7 Kg



**PLUS 5 - 96**  
**Smooth round plate**

Complete with set of 4 pins

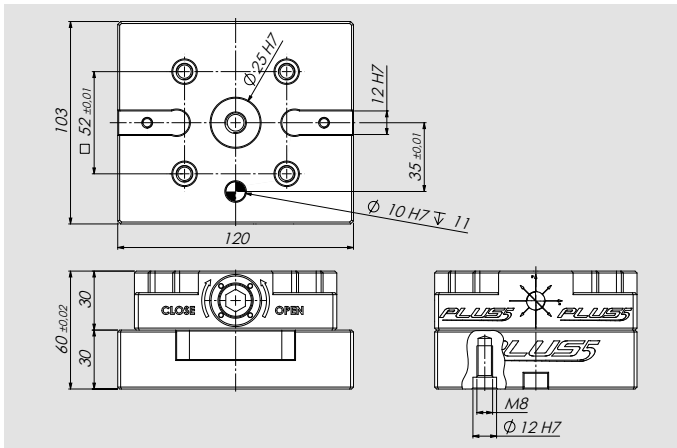
Id. No.	Weight (Kg)
46247730	8



**PLUS 5 - 96**  
**Double smooth plate**

Complete with n. 2 set of 4 pins Plus 5 96

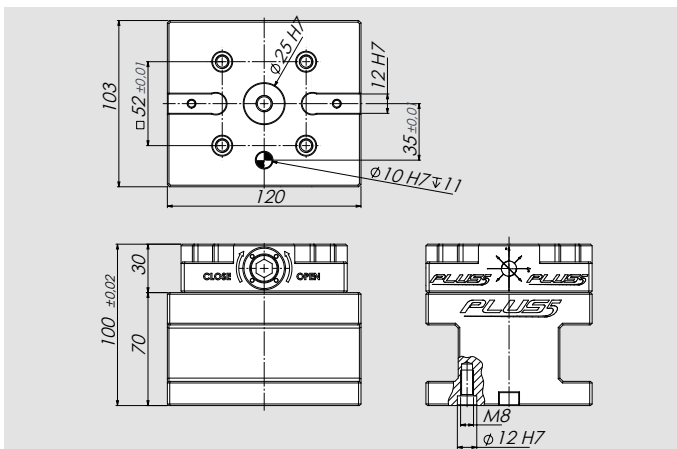
Id. No.	Weight (Kg)
46247740	15



### RISER PLUS 5 - 52 (H tot = 60)

Complete with screws and dowel pins  
Plus 5 not included

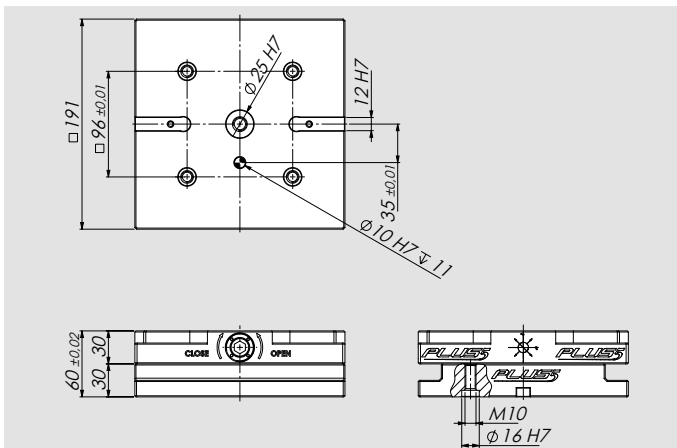
Id. No.	Weight (Kg)
46242018	2



### RISER PLUS 5 - 52 (H tot = 100)

Complete with screws and dowel pins  
Plus 5 not included

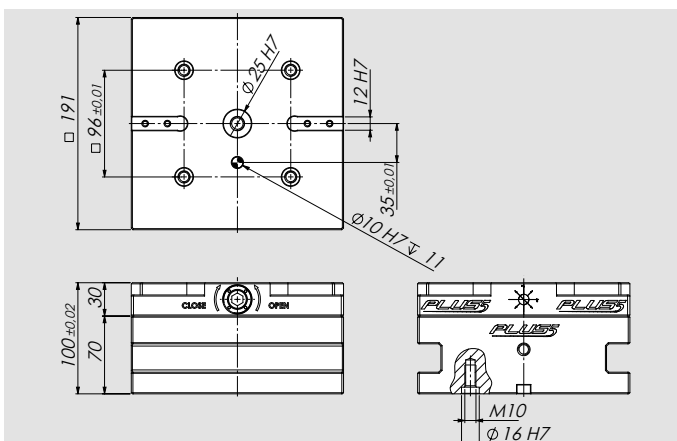
Id. No.	Weight (Kg)
46242019	5



### RISER PLUS 5 - 96 (H tot = 60)

Complete with screws and dowel pins  
Plus 5 not included

Id. No.	Weight (Kg)
46242028	7



### RISER PLUS 5 - 96 (H tot = 100)

Complete with screws and dowel pins  
Plus 5 not included

Id. No.	Weight (Kg)
46242029	18



**Applications / Customer Benefits**

- Ideal for 5 axis machines
- Compact design
- Possibility to be mounted directly on machine tools with radial slots at 45 / 60 degrees
- Possibility to be mounted directly on single plate or DUO APS (pitch 200/250mm) and Plus 5

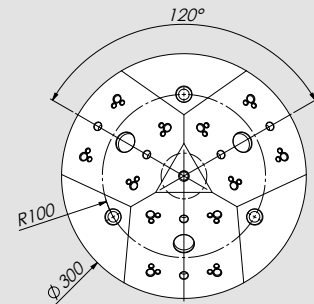
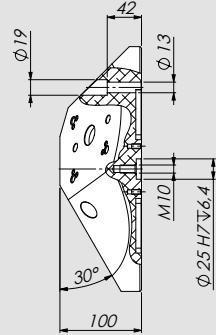
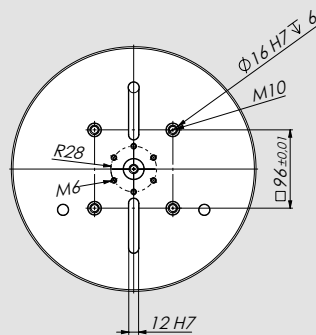
**Technical features**

- Material: ALU

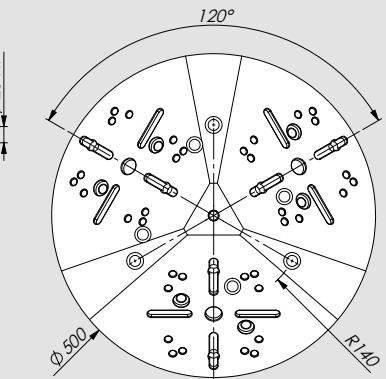
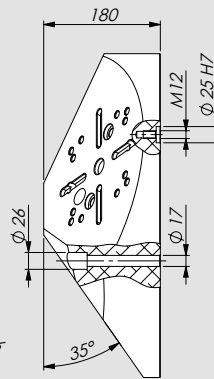
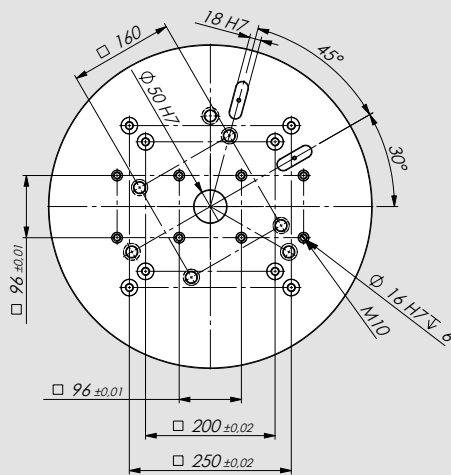
**Standard equipment**

Positioning keys and screws for IMG  
Pins and screws for Plus 5

IMG 88 - 130  
PLUS 5 - 52

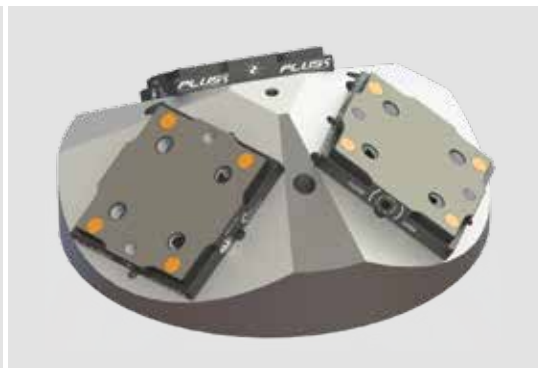


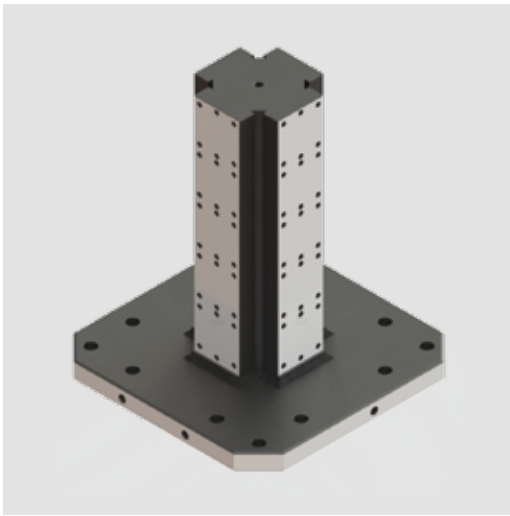
IMG 125 - 180  
IMG 125 - 220  
PLUS 5 - 96



Type	Id. No.	Weight
For IMG 88-130 and PLUS 5 - 52	58343210	12 Kg
For IMG 125-180, IMG 125-220 and PLUS 5 - 96	58353210	55 Kg

**Working example**





## Applications / Customer Benefits

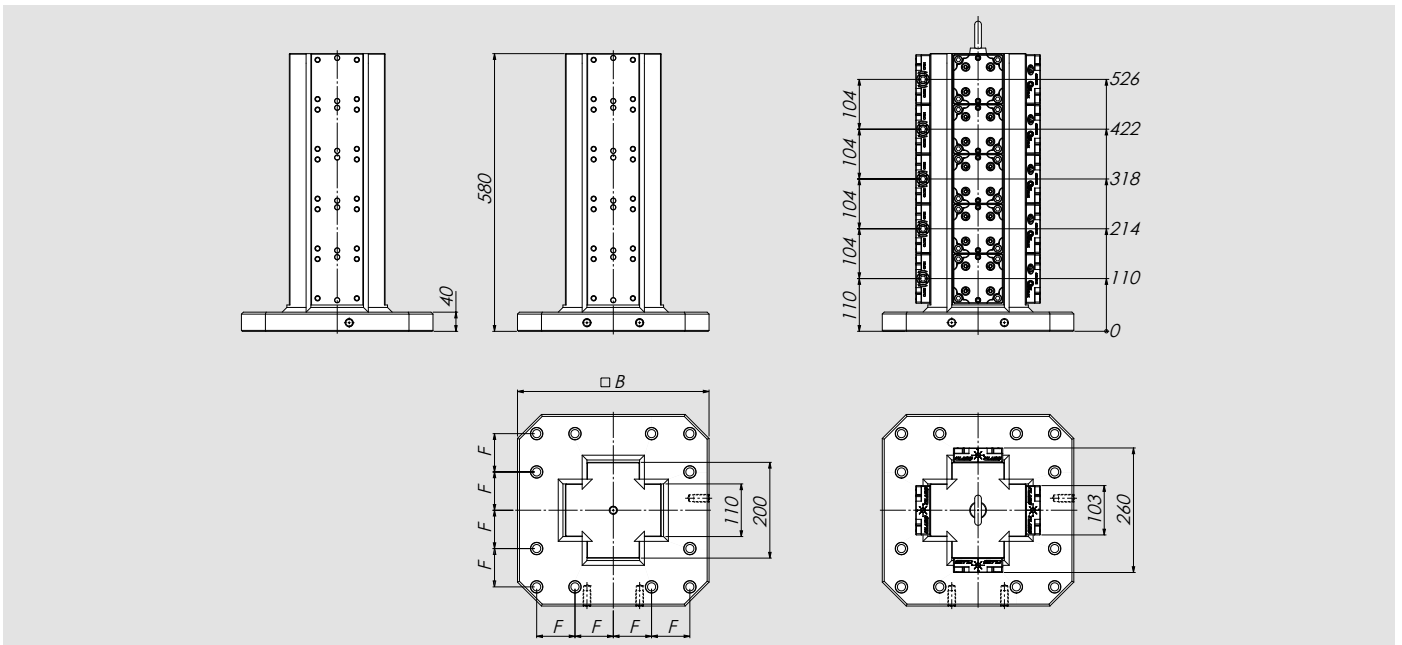
- Ideal for horizontal machines
- Compact design

## Technical features

- Material: steel

## Standard equipment

Steel tombstone complete with fixing screws and dowel pins

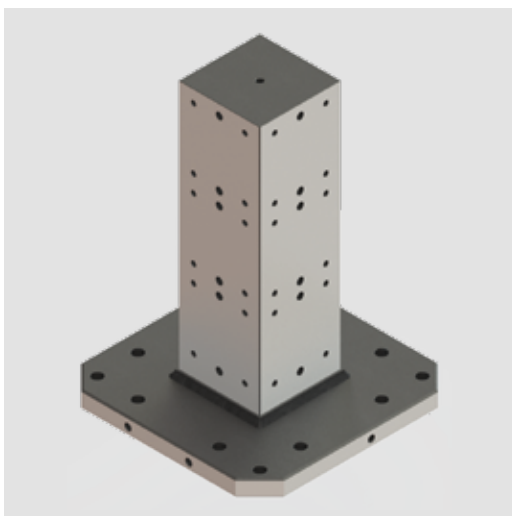


Type	Id. No.	B	F	Weight	Weight (only tombstone)
Tombstone Plus 5 - 52 - Base 400	46247110	400	80	162 Kg	162 Kg
Tombstone Plus 5 - 52 - Base 500	46247120	500	100	190 Kg	190 Kg

## Working example







**Applications / Customer Benefits**

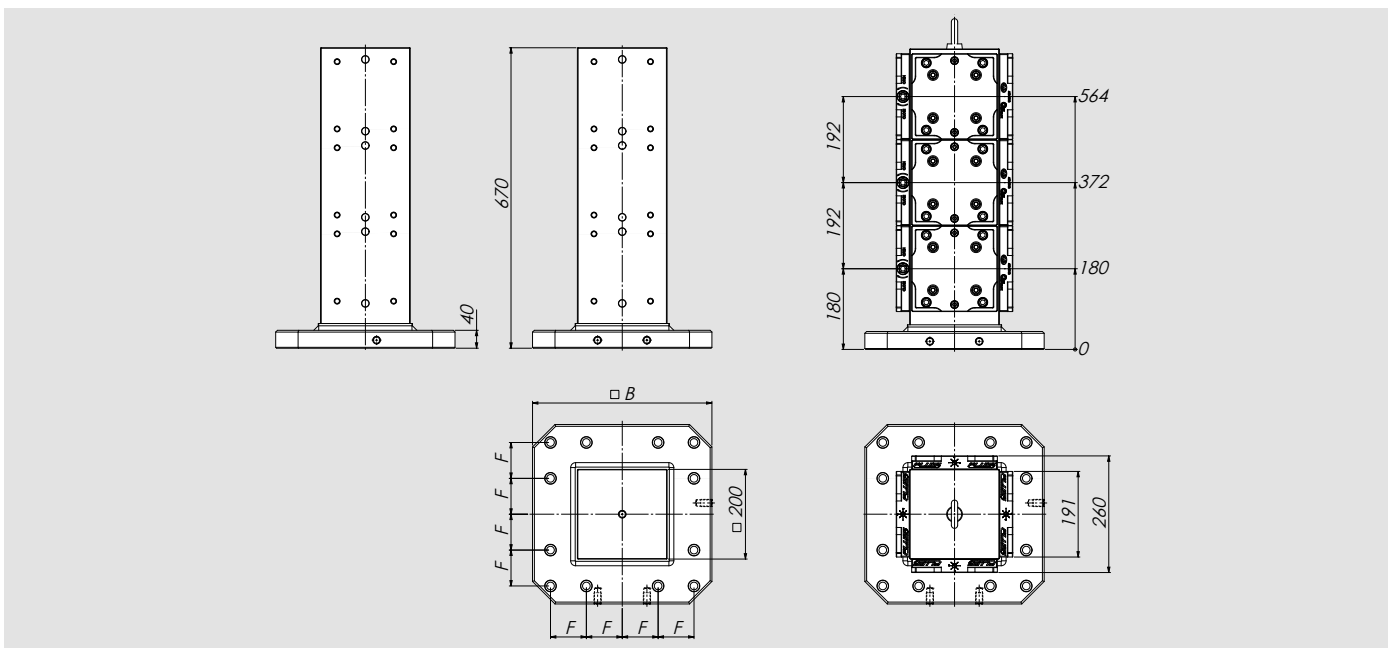
- Ideal for horizontal machines
- Compact design

**Technical features**

- Material: steel

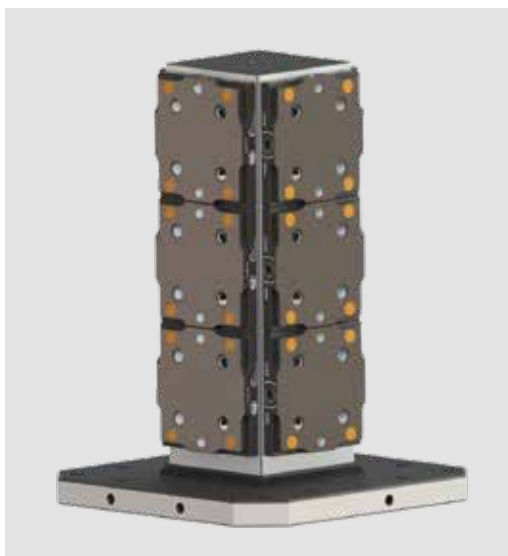
**Standard equipment**

Steel tombstone complete with fixing screws and dowel pins



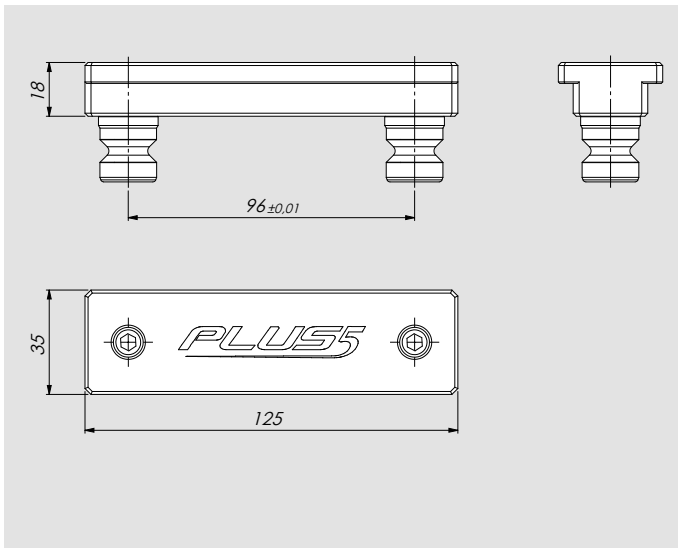
Type	Id. No.	B	F	Weight	Weight (only tombstone)
Tombstone Plus 5 - 96 - Base 400	46247210	400	80	253 Kg	253 Kg
Tombstone Plus 5 - 96 - Base 500	46247220	500	100	280 Kg	280 Kg

**Working example**



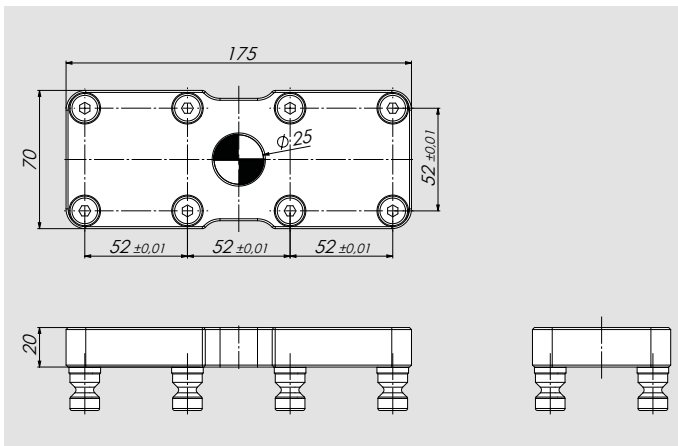
### PLUS 5 - 96

Safety plate for locking on two different modules. Complete with pins 96



### PLUS 5 - 52

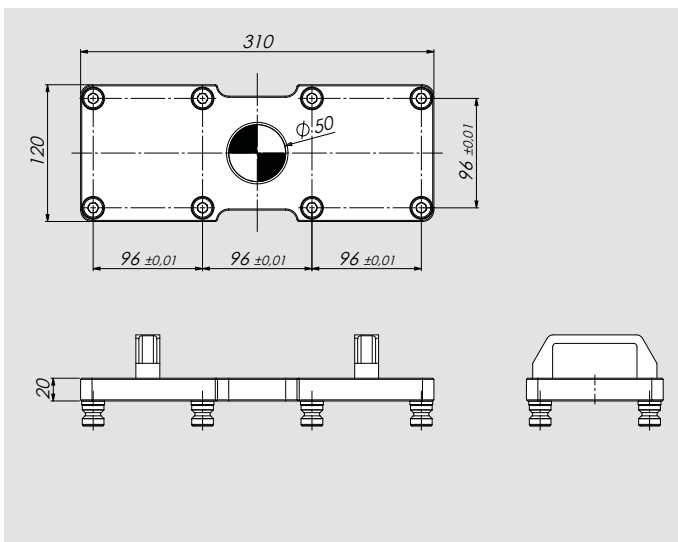
Alignment plate complete with pins 52



Id. No.	Weight (Kg)
46240410	2

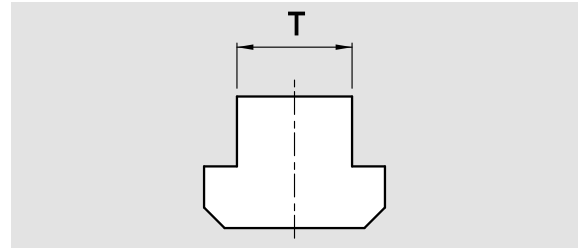
### PLUS 5 - 96

Alignment plate complete with pins 96

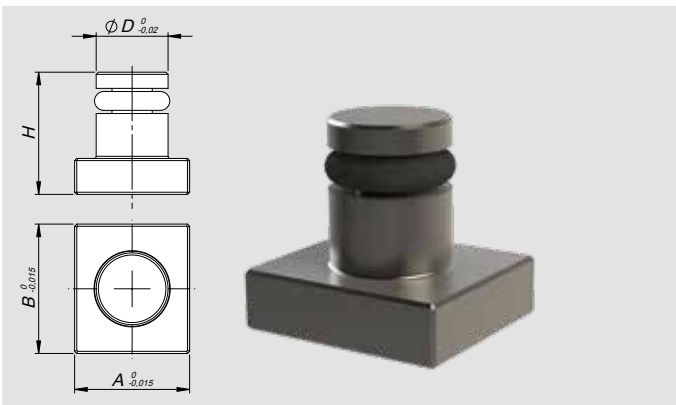


**PLUS 5 - 52/96**

Pair of Clamps



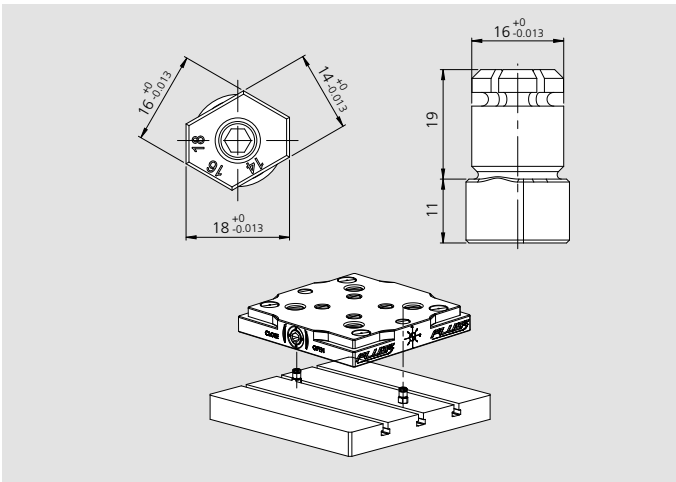
Type	mm 12	mm 14	mm 16	mm 18	mm 20	mm 22
PLUS 5 52/96	58022792	58022793	58022794	58022795	58022796	58022797



**Key only for:**

- Plus 5 52
- Plus 5 Index 96

Id.No.	A	B	H	D
58341393	12	14	17	10
58341395	16	18	17	10



**Multi-Slot screw for Plus 5 96**

Type	Id. No.
Multi-Slot 14 / 16 / 18	71290182



**PLUS 5 - 52/96**

Steel protection cap

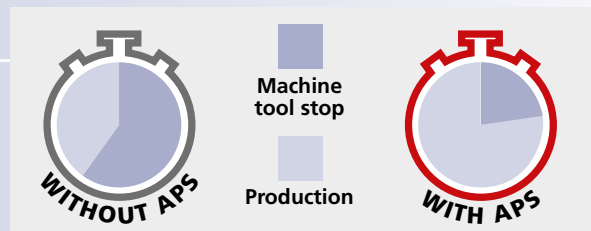
Type	Id. No.	Weight (Kg)
Set 4 caps Plus 5 52	46240314	0,08
Set 4 caps Plus 5 96	46240324	0,16
Protection cap Plus 5 52	46240310	0,02
Protection cap Plus 5 96	46240320	0,04



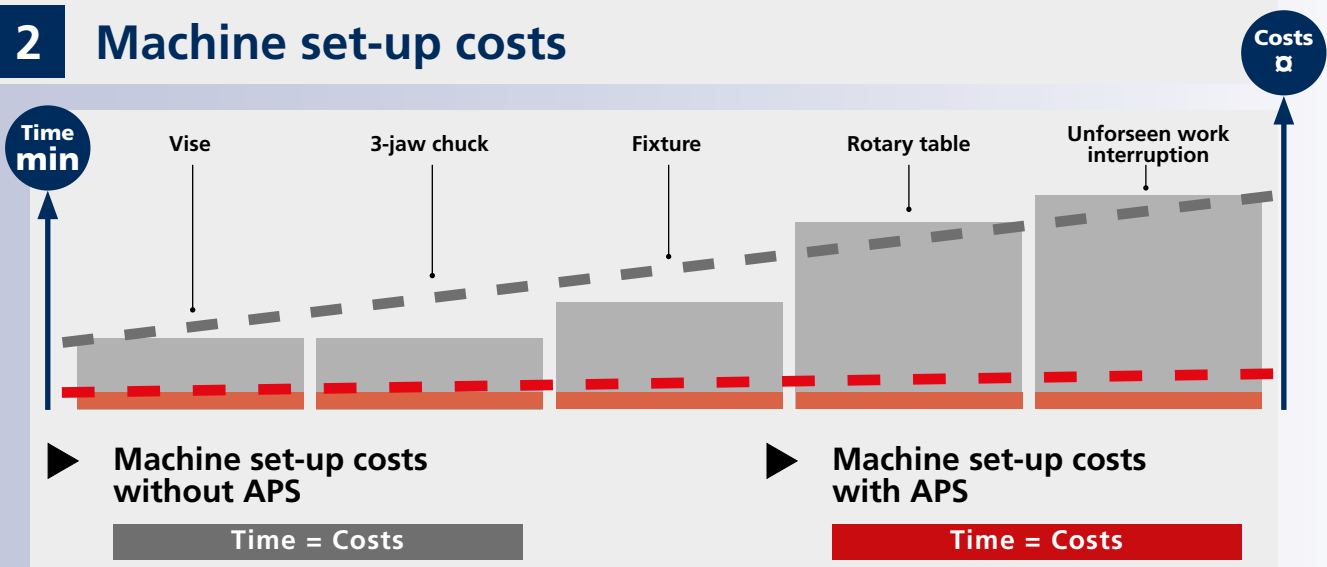
**Industry 4.0 Product**

## 1 Customer benefits

- ▶ Fully sealed (proofline)
- ▶ Highest stiffness by means of 3 clamping slides
- ▶ Low installation height due to the compact design
- ▶ Highest process reliability and repeat accuracy < 0.005 mm
- ▶ Modular construction kit system: Existing clamping systems can be modified very easy
- ▶ Significantly reduced costs due to reduced set-up times



## 2 Machine set-up costs



# APS Zero Point clamping system



## APS

### Clamping units

- Fully assembled clamping unit
- Ready to use
- Customer-specific versions available in a short time

Page

30



## APS

### Clamping pins

- Large entry radii on the clamping pins for easy and safe loading
- Wear-resistant

Page

32



**WATCH THE VIDEO**

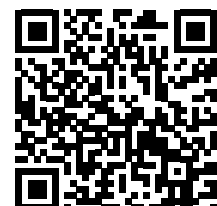


## For more information:

consult the dedicated APS catalog or the General Catalog - Section 0



APS  
catalogue



General Catalogue  
sec. APS

# APS

## AUTOMATIC POSITIONING SYSTEM



### CLAMPING SYSTEM WITH 3 JAWS AT 120°

APS is the only one clamping system ZERO POINT with 3 jaws at 120° and thanks to special treatments antifriction and anticorrosion of the pins and the clamping jaws (already preliminarily treated to 62 HRC), further improves its performance.



### MAXIMUM RIGIDITY!

- Monolithic piston with inclined planes
- Jaws with double inclined plane which generates the "PULL DOWN" effect



### MAXIMUM ACCURACY!

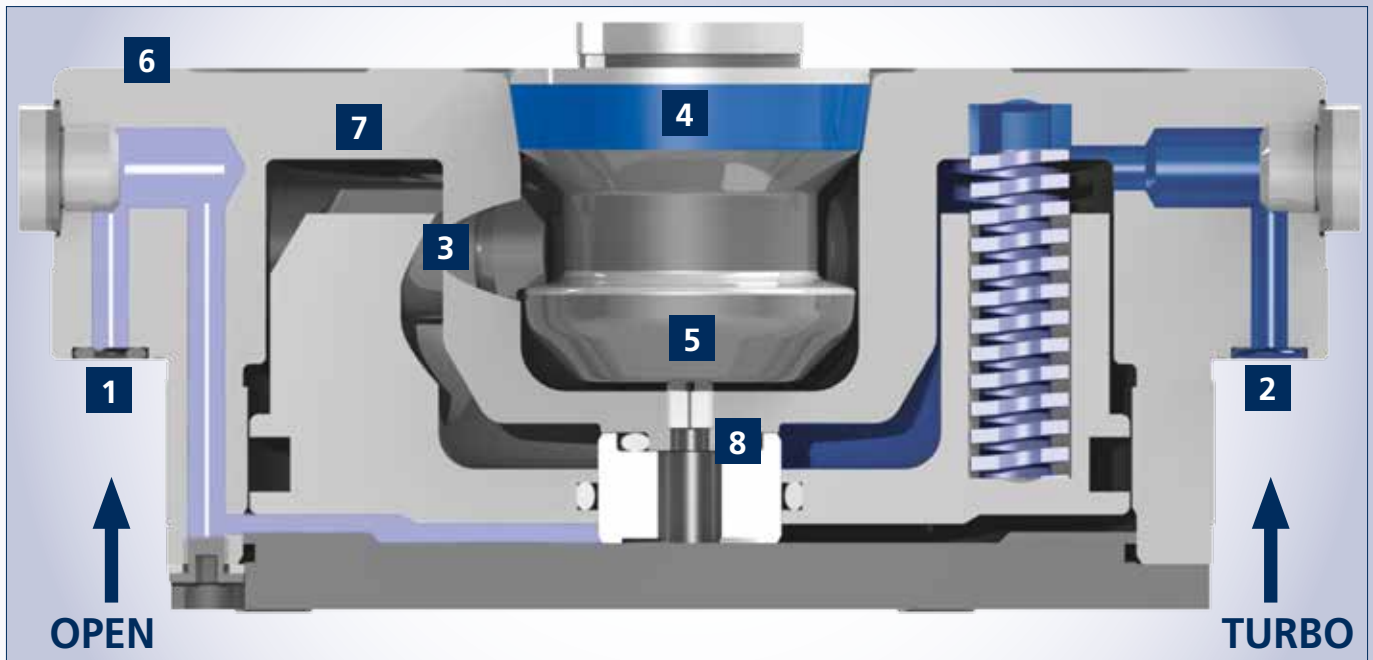
Maximum accuracy of the tapered coupling between the pin and the module





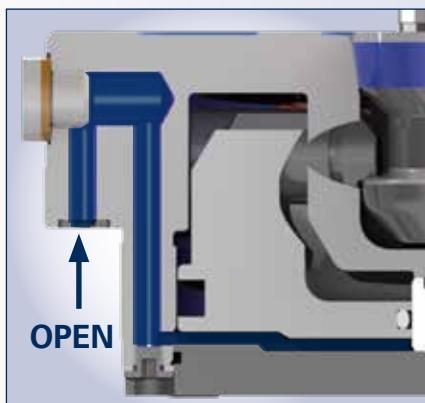
# APS

## AUTOMATIC POSITIONING SYSTEM

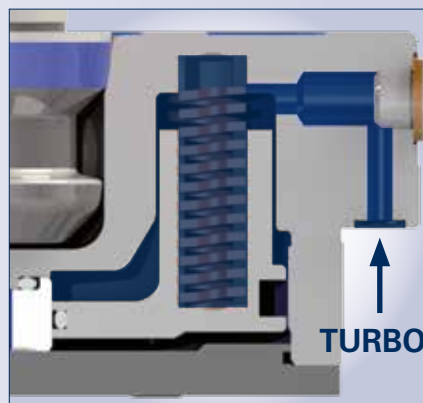


### Functional Overview of the APS Zero Point Clamping System

- |  |   |
|--|---|
| <b>1</b> Unlocking function  | <b>5</b> Large entry radii of the clamping pins for easy and safe loading |
| <b>2</b> Turbo function for increasing the pull-in forces  | <b>6</b> Large flat surface for highest stiffness                         |
| <b>3</b> 3 Clamping slides for maximum stiffness and protective coating (wear-resistant and rust protected)          | <b>7</b> Hardened parts   |
| <b>4</b> Clamping pins with precise short taper centering and protective coating (wear-resistant and rust protected) | <b>8</b> Air cleaning (while opening the modules)                         |

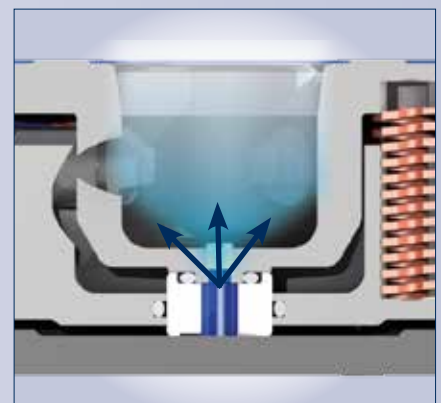


**UNLOCKING FUNCTION**  
at 6 bar



### TURBO FUNCTION

The Turbo function is always integrated in APS PREMIUM modules. Turbo is the function by means of which the compressed air increases the clamping force applied by the springs until reaching the "PULL DOWN" clamping force of 45 kN.



### AUTOMATIC CLEANING FUNCTION (APS PREMIUM)



### Application/customer benefits

- Pre-assembled clamping unit with 1 piece APS 140 Premium
- Universal applicable
- Fast and easy set-up

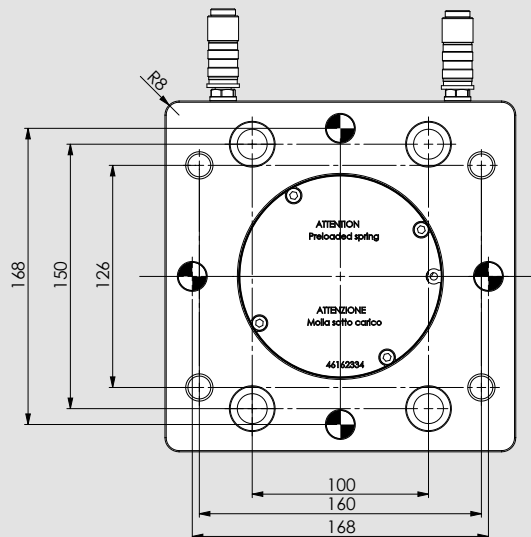
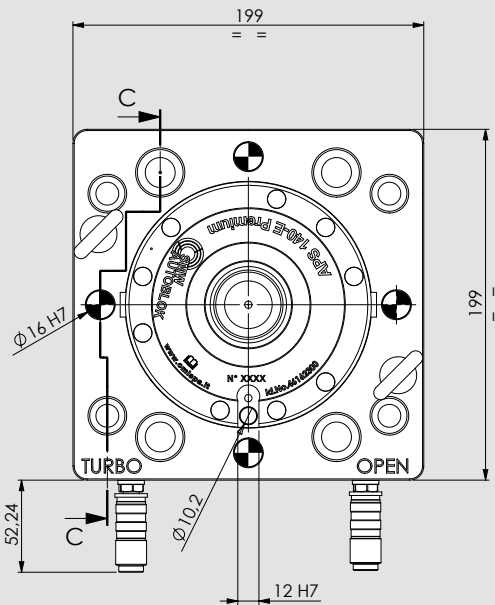
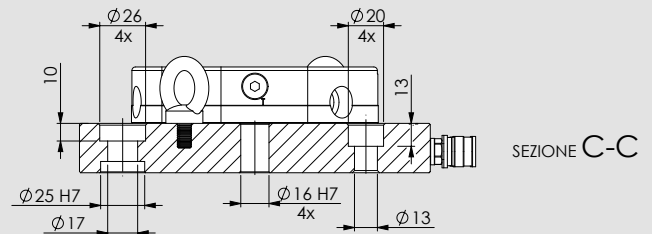
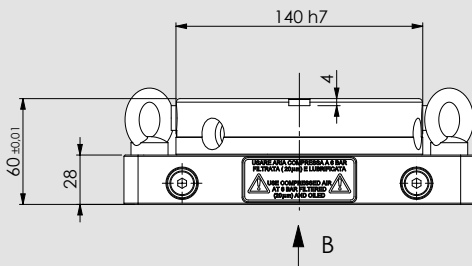
### Technical features

- 3 clamping slides
- Repeatability < 0.005 mm
- Turbo function to increase the pull-in forces (pull-in force without Turbo 7.5 kN)
- Anti rotating protection
- Air cleaning

### Standard equipment

Clamping unit with 1 piece APS 140 Premium  
Quick pneumatic connections

For clamping pallets please see next catalog pages



VISTA B

Subject to technical changes.

Module height extensions (APS included)	Id. No.	Height [mm]	Weight [kg]
Module extension with 1 APS 140 Premium	46168410	60	11



**Application/customer benefits**

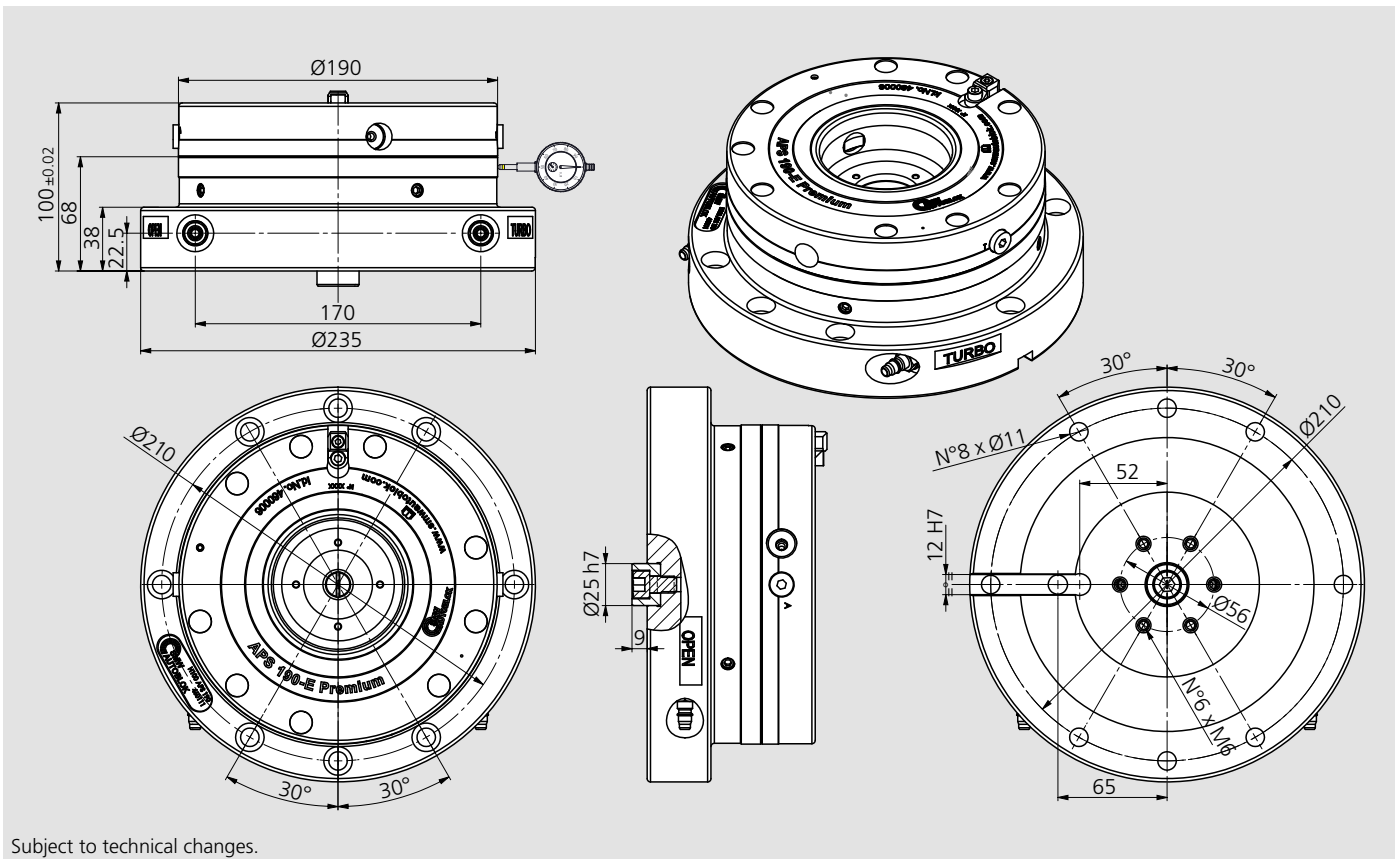
- Pre-assembled module extension unit with 1 piece APS 190 Premium
- Universal applicable
- Fast and easy set-up

**Technical features**

- 3 clamping slides
- Repeatability < 0.005 mm
- Turbo function to increase the pull-in forces (pull-in force without Turbo 7.5 kN)
- Anti rotating protection
- Air cleaning

**Standard equipment**

Module height extension with 1 piece APS 190 Premium



Subject to technical changes.

Module height extension (APS included)	Id. No.	Height [mm]	Weight [kg]
Module extension APS 190 PREMIUM H100	460111	100	20.5

**Note 1:** For every unit the key (Id. No. 46162133) is included

**Note 2:** Optional T-nuts sets: 46204100 with T-slot 12 / 46204101 with T-slot 14 / 46204102 with T-slot 18. Drawings and shares of these sets.

**Note 3:** Mountable also on APS 190 and APS 140.

**Note 4:** When use the module in rotation (200-1000 r.p.m.) request balancing (listed separately).

**Note 5:** The module extension is equipped with radial screws for the fine centering of the APS.

■ For 5-axis machining center



### Application/customer benefits

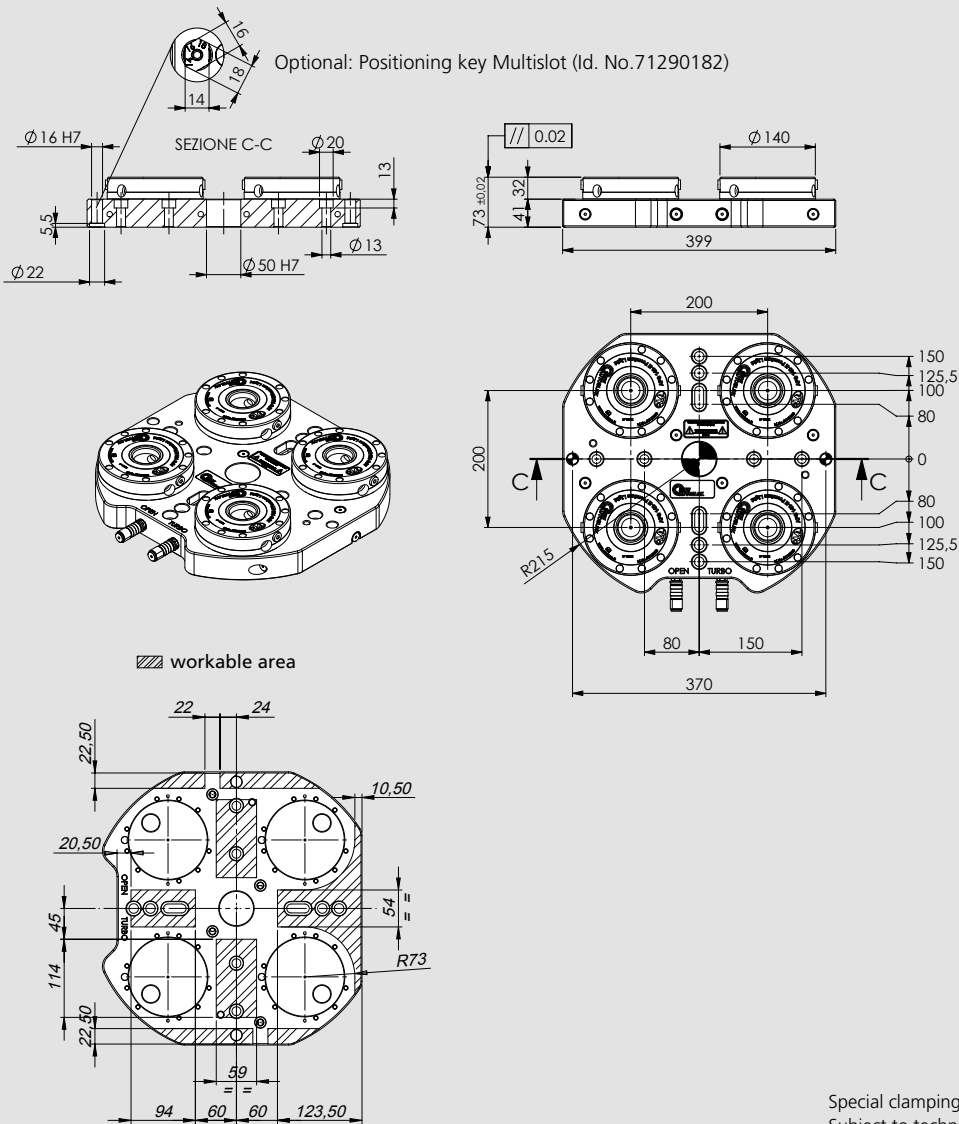
- Pre-assembled clamping unit with 4 pieces APS 140 Premium Light or Basic
- For 5-axis machining center
- Universal applicable
- Fast and easy set-up

### Technical features

- 3 clamping slides (Basic: 2 clamping slides)
- Repeatability < 0.005 mm
- Turbo function to increase the pull-in forces (pull-in force without Turbo 7.5 kN)
- Air cleaning (only Premium Light)

### Standard equipment

Clamping unit with 4 pieces APS 140 Premium Light or Basic  
Quick pneumatic connections



Special clamping units on request.  
Subject to technical changes.

Type	Id. No.	Pull-in force [kN]	Repeatability [mm]	Weight [kg]
Clamping unit with 4 APS 140-E Premium Light	46168020	26* (with turbo)	< 0.005	45
Clamping unit with 4 APS 140-E Basic NO TURBO	46168025	7,5* (without turbo)	< 0.005	45

\* For each module.

■ For 5-axis machining center



**Application/customer benefits**

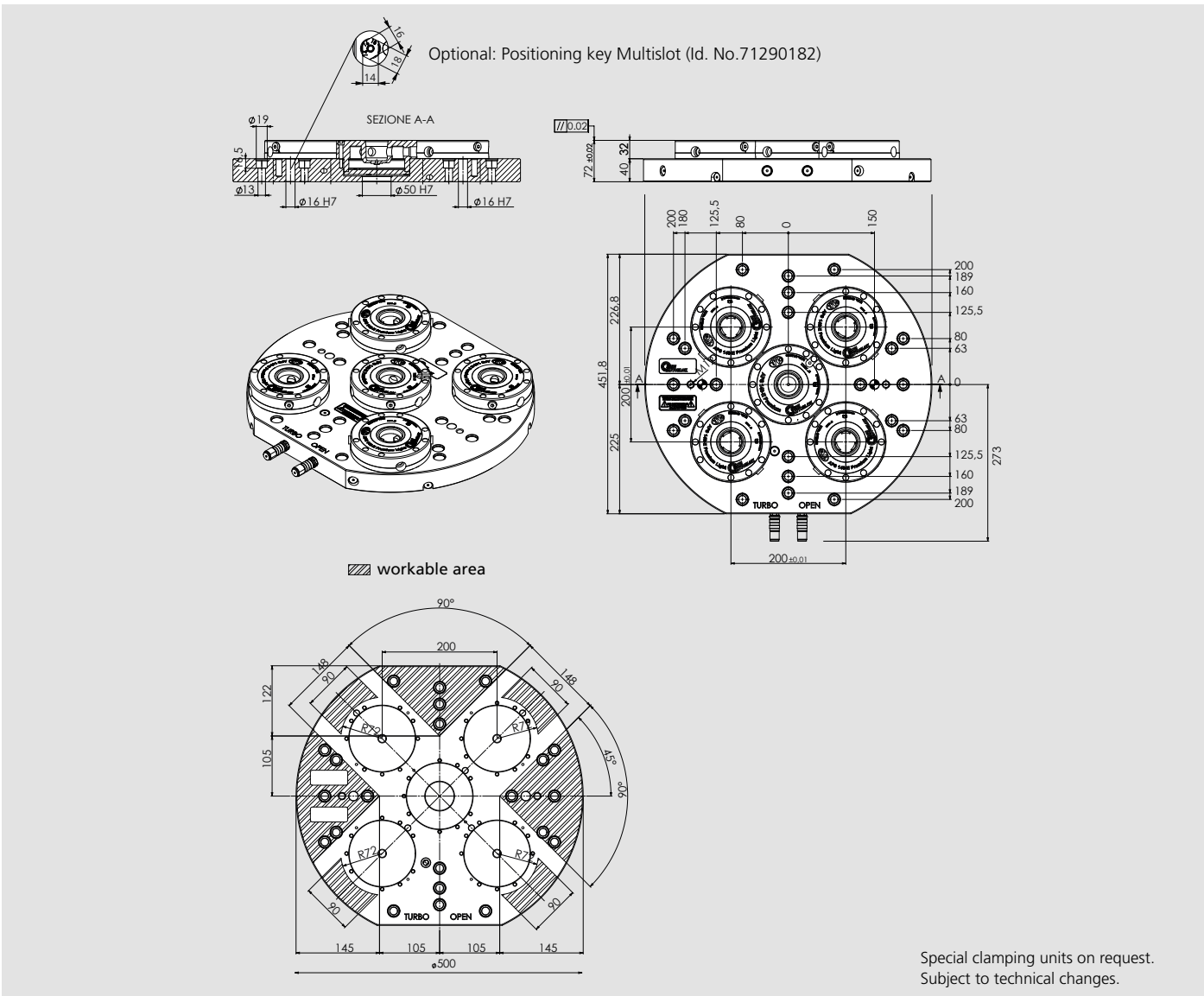
- Pre-assembled clamping unit with 5 pieces APS 140 Premium Light or Basic
- For 5-axis machining center
- Universal applicable
- Fast and easy set-up

**Technical features**

- 3 Clamping slides (Basic: 2 Clamping slides)
- Repeatability < 0.005 mm
- Turbo function for increasing the pull-in forces (pull-in force without Turbo 7.5 kN)
- Air cleaning (only Premium Light)
- Grid dimension 200 mm

**Standard equipment**

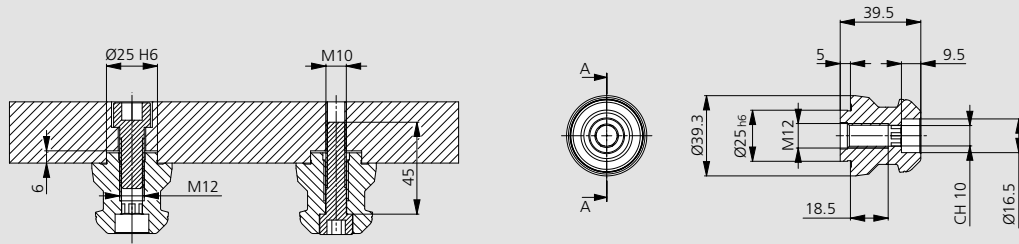
Clamping unit with 4 modules APS 140-E Premium Light or Basic + 1 modules APS 140-E Premium



Type	Id. No.	Pull-in force [kN]	Repeatability [mm]	Weight [kg]
Clamping unit with 4 modules APS 140 Premium Light- 1 module APS-E 140 Premium	46168040	26* (with turbo)	< 0.005	68
Clamping unit with 4 modules APS-E 140 Basic + 1 module APS-E 140 Premium NO TURBO	46168045	7,5* (without turbo)	< 0.005	67

\* For each module.

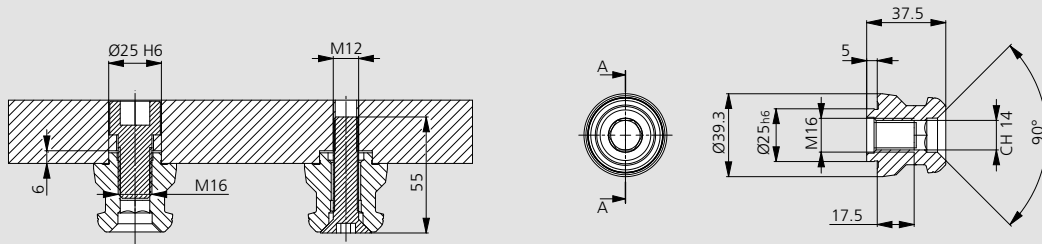
## Pins - M12 thread



Subject to technical changes.

Id. No.	Type	Weight [kg]
46162355	A M12	0.2
46162356	B M12	0.2
46162357	C M12	0.2

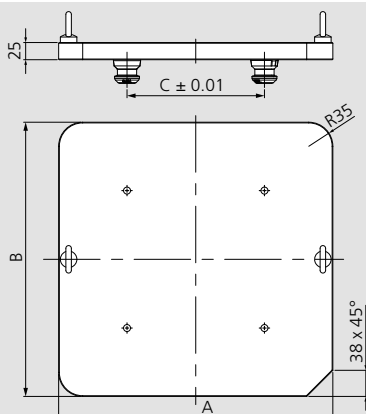
## Pins - M16 thread



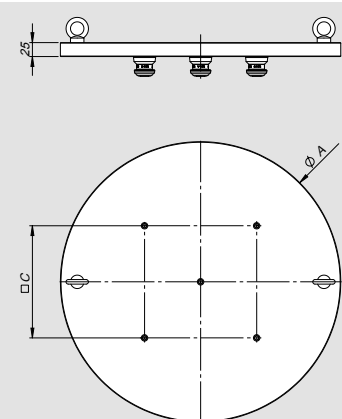
Subject to technical changes.

Id. No.	Type	Weight [kg]
46162455	A M16	0.2
46162456	B M16	0.2
46162457	C M16	0.2

■ More info: General Catalogue A5 - page 0.50



Subject to technical changes.



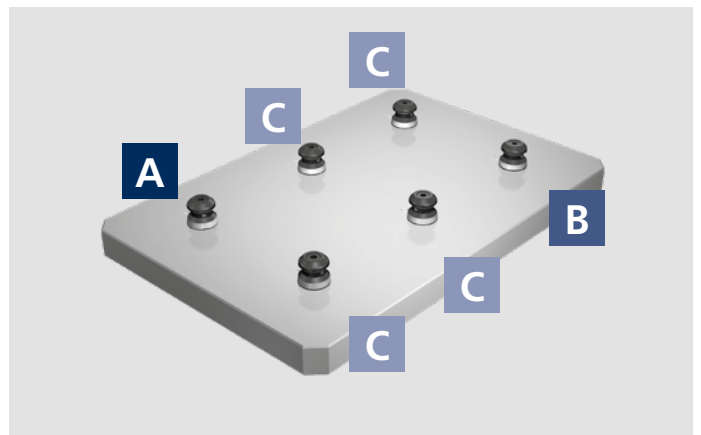
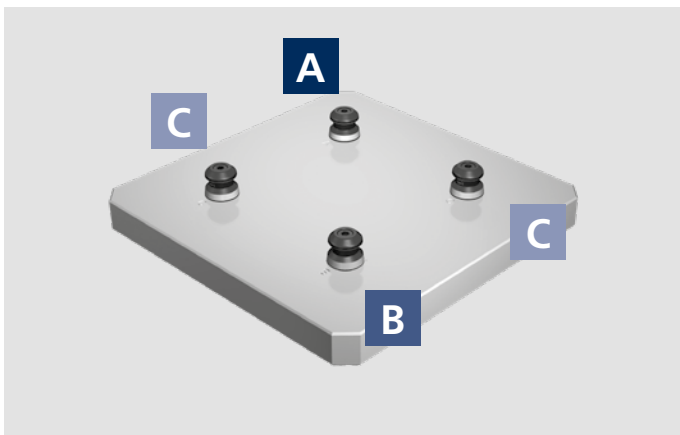
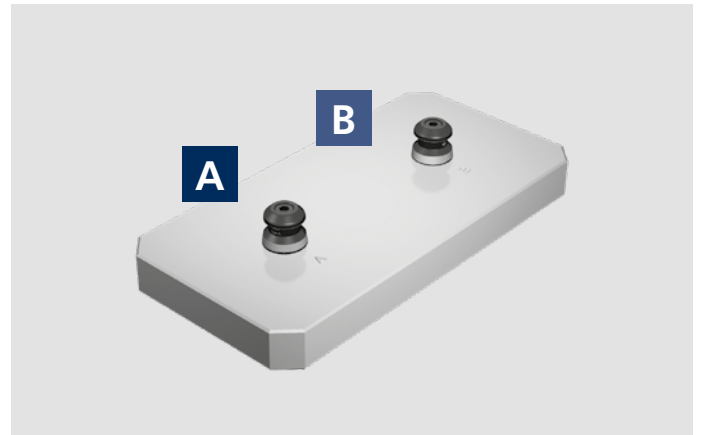
Subject to technical changes.

Type	Id. No.	A mm	B mm	C mm
Clamping pallet APS 140	46167726	399	399	200

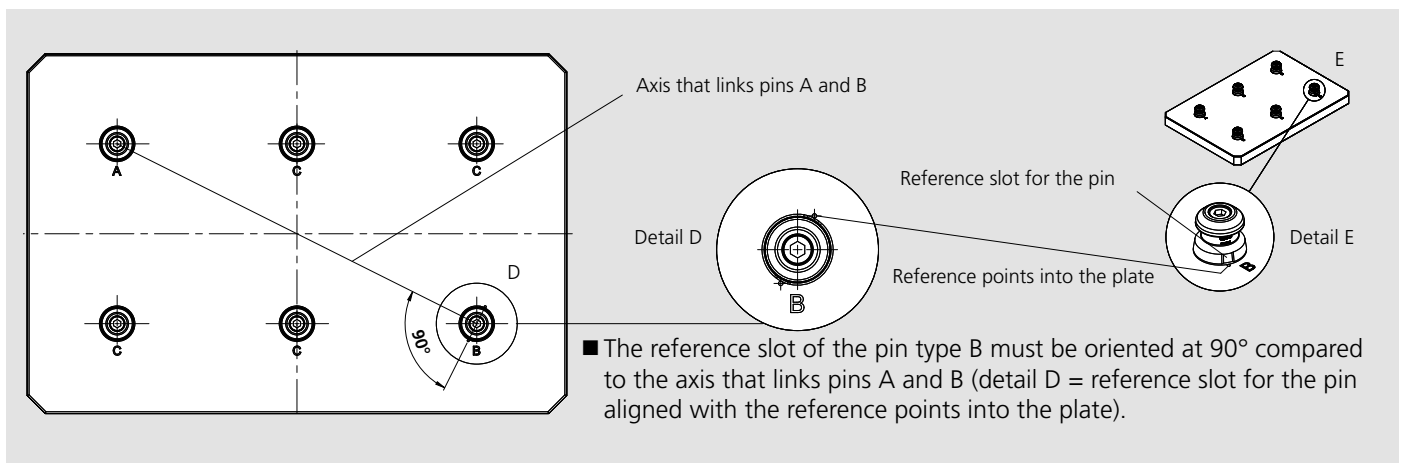
Type	Id. No.	A (Ø) mm	C mm
Clamping pallet APS 140	46167728	500	200



Positions of the clamping pins



Positioning of the Reference Pin Type B



# IMG

Vice  
Self-centering | Double Clamping | Fixed



# IMG

*IMAGINATION HAS NO LIMIT*



## Vice

Self-centering | Double Clamping | Fixed



### IMG

#### Vice

- Self-centering
- Double Clamping
- Fixed

Page 38



### IMG

#### Self-centering | Double Clamping | Fixed

- IMG 160 - 270

Page 56



### IMG

#### Self-centering | Double Clamping | Fixed

- IMG 88 - 130

Page 46



### IMG

#### Self-centering | Double Clamping | Fixed

- IMG 160 - 420

Page 58



### IMG

#### Self-centering | Double Clamping | Fixed

- IMG 88 - 230

Page 48



### IMG

#### Accessories

- Riser
- Alu Pyramid
- Triangular tombstone
- Tombstone

Page 60



### IMG

#### Self-centering | Double Clamping | Fixed

- IMG 125 - 180

Page 50



### Clamping Pins

#### Accessories

- For APS 140 and APS 190

Page 74



### IMG

#### Self-centering | Double Clamping | Fixed

- IMG 125 - 220

Page 52



### CLAK System

#### Accessories

Page 76



### IMG

#### Self-centering | Double Clamping | Fixed

- IMG 125 - 320

Page 54



### IMG

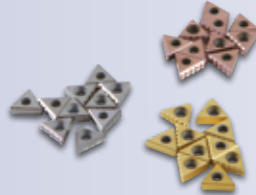
- Spare parts

Page 78



# Self-centering vice | Double

## SinterGrip jaws



**SinterGrip jaws:**  
Reversible jaws for minimum clamping depth and without pre-machining

**Wide clamping range**  
Maximum flexibility  
For external and internal clamping

## BASIC jaws

without Sintergrip inserts for **IMG BASIC** models



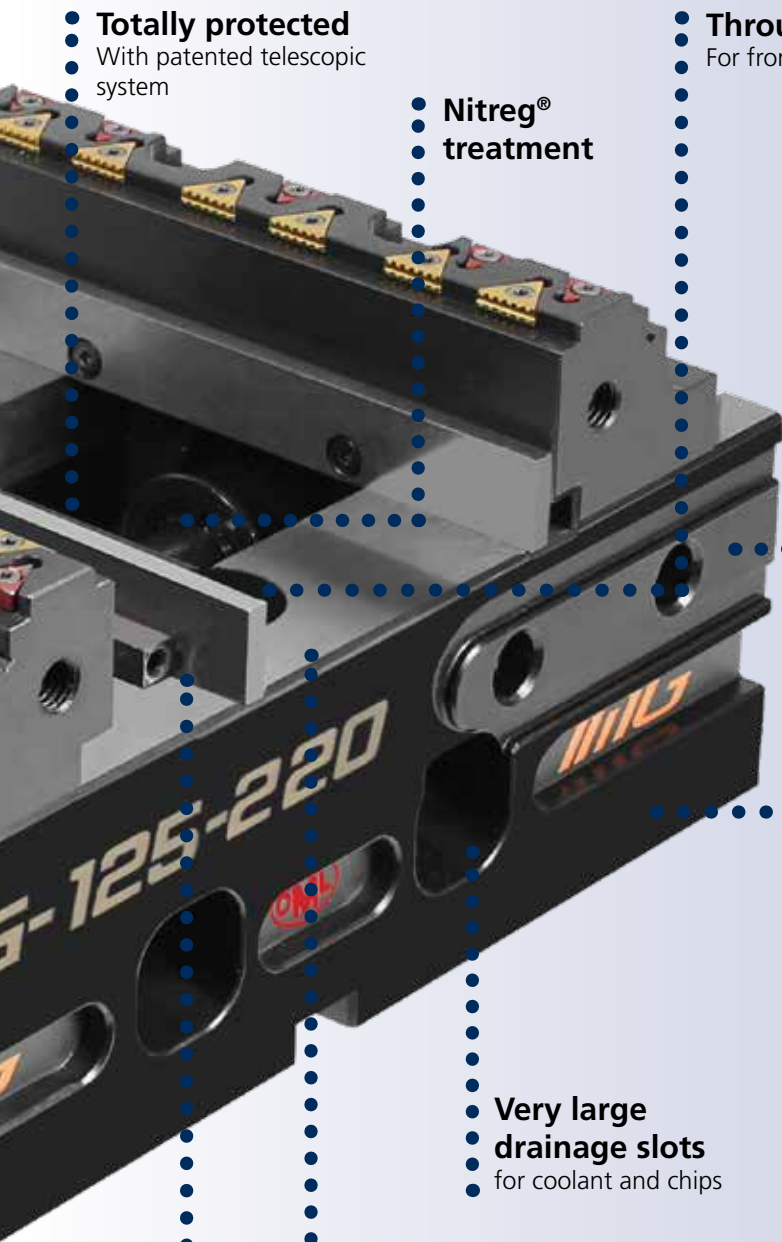
**Mechanical clamping**  
Totally protected with patented telescopic system.  
The large power transmission allows high performance in the manufacturing process

**Interface**  
For Zero Point clamping systems and mounting holes as standard



Find out more

# Fixed Clamping | Fixed



- **Totally protected**  
With patented telescopic system

- **Nitreg® treatment**

- **Through holes**  
For frontal clamping

- **Ideal**  
For automation and palletizing systems

- **Flexible mounting**  
on machine tool pallet using clamps (optional)

**Double clamping jaw (for double clamping)**



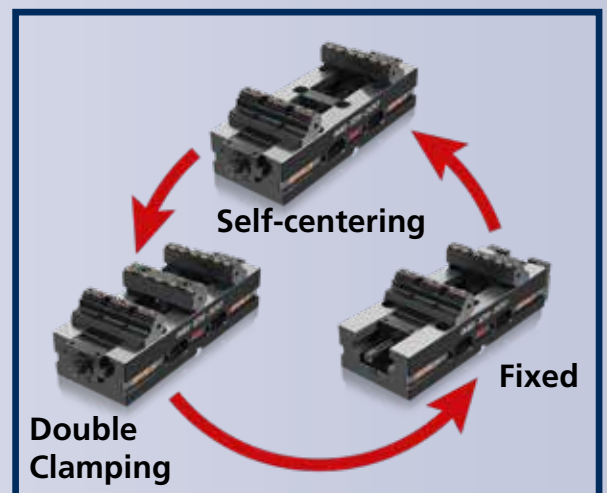
**Retainer plate (for fixed clamping)**



- **Very large drainage slots**  
for coolant and chips

- **Treated and precision ground guides**  
for maximum accuracy and repeatability

- **Parallels**  
with quick change Clak System





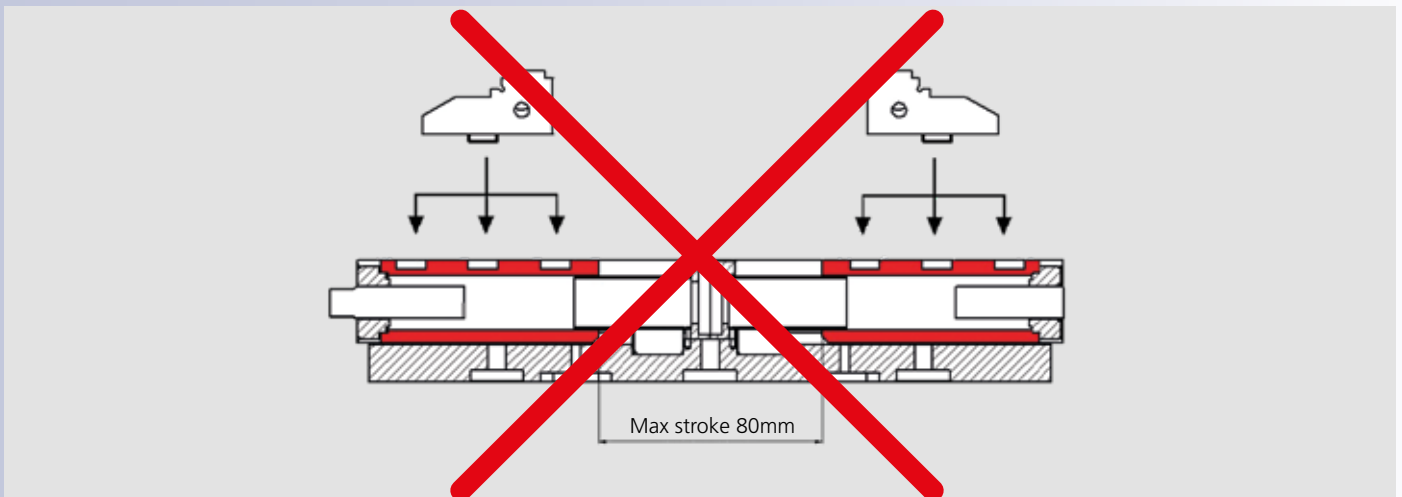
**Vice**  
**Self-centering | Double Clamping | Fixed**

### PATENTED PROTECTED SCREW



**IMG** vices have a fully protected operating screw with a patented telescopic system.

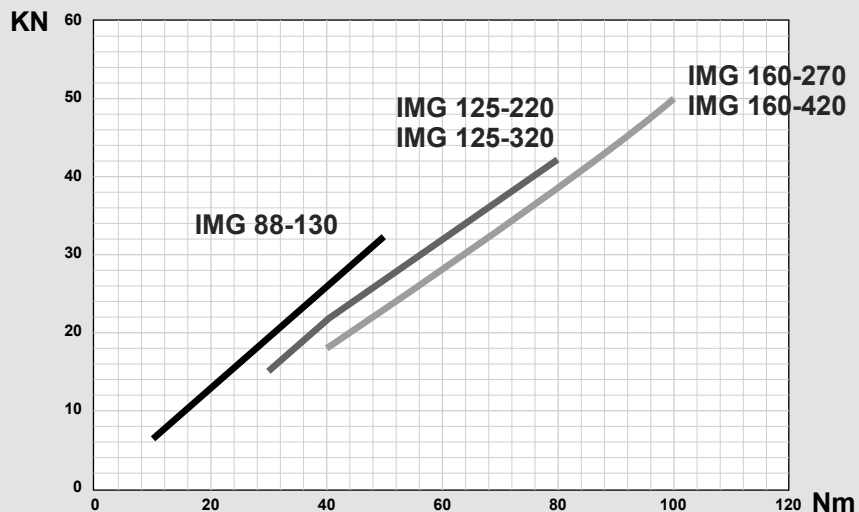
This innovation makes it possible to avoid having to remove the jaws in order to find the clamping position. In fact, normally, vices with protected screws use the slide-way as a protection.



This type of solution forces continuous displacement of the jaws in the appropriate seat.

**IMG**, on the contrary, while keeping the screw completely protected, allows the continuous movement of opening and closing of the vice.

### Clamping force



Clamping forces valid for self-centering, Double clamping, Fixed jaw





Vice

Self-centering | Double Clamping | Fixed

## IMG BASIC

The **IMG Basic** models have the same characteristics as the **IMG** vises with the only difference of mounting **Basic jaws** without SinterGrip inserts.

### BASIC jaws

without Sintergrip inserts for **IMG BASIC** models





**Vice**  
**Self-centering | Double Clamping | Fixed**

## MODULAR

The IMG self-centering vices can be easily transformed into fixed vices or double clamping vices.

Self-centering



Double Clamping



Fixed

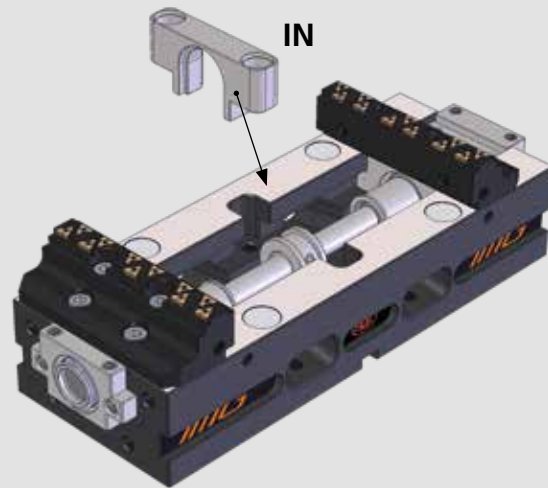


The double clamping vices have a completely compensating mechanism (until zero), therefore it is possible to clamp 2 pieces of different sizes.

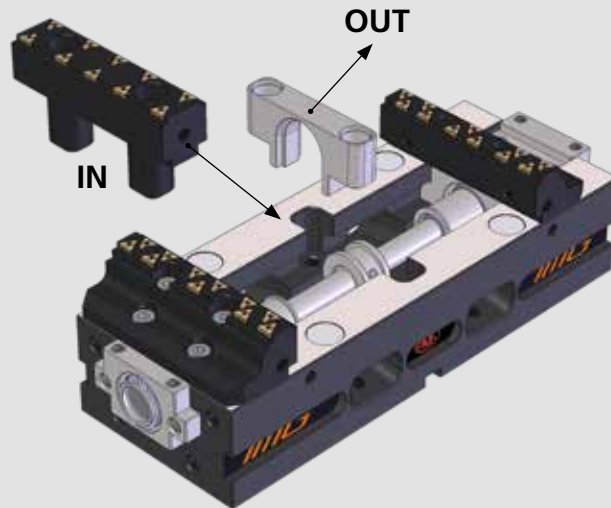




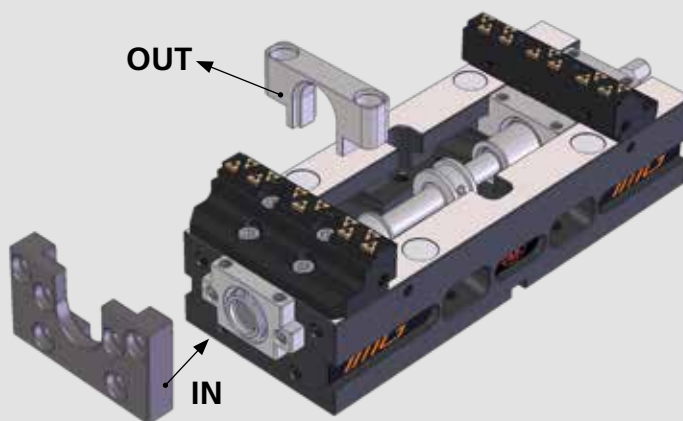
**Modular**



**Self-centering**



**Double Clamping**



**Fixed**



**Vice**  
**Self-centering | Double Clamping | Fixed**

## HIGH CLAMPING PERFORMANCE

IMG vices clamp up to 55 kN.  
The clamping force combined with the patented SinterGrip system guarantees high performance.

1 OP.



2 OP.







# SinterGrip

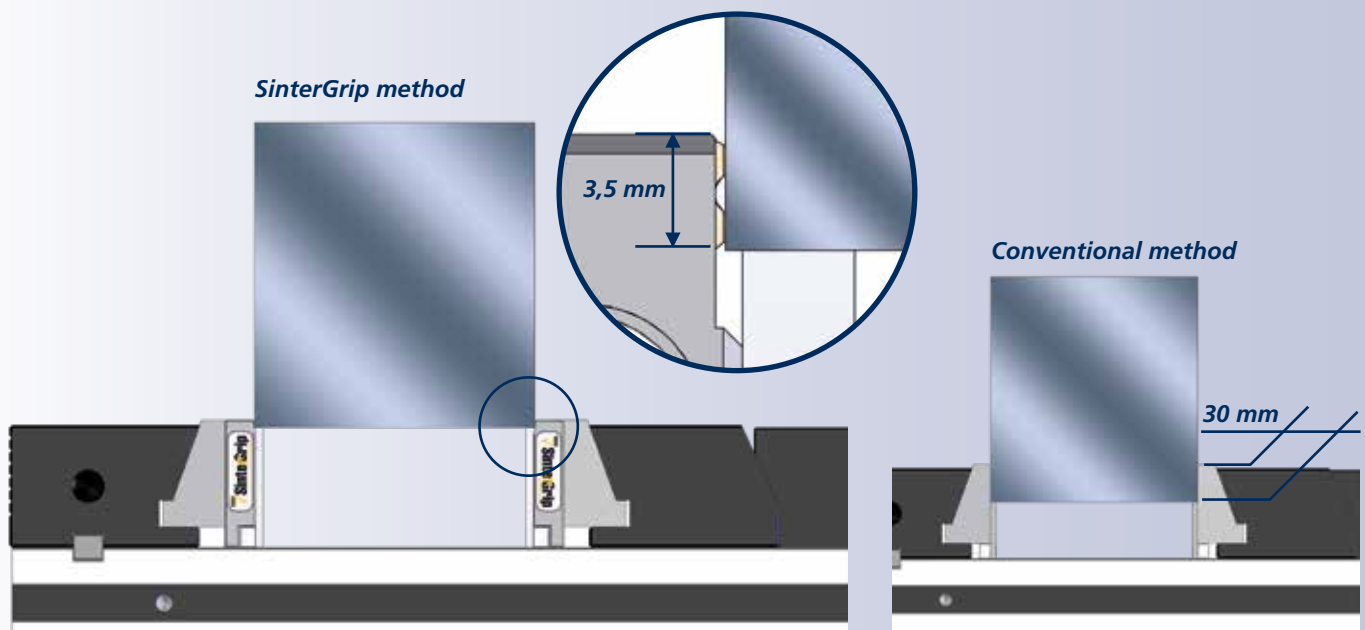
Our new patented product **SinterGrip** is born to satisfy the current need to clamp a workpiece for very few millimeters (with SinterGrip 3,5 mm clamping surface), and this for the following reasons:

- 1) In order to machine the workpiece completely in a single operation (especially for 5 axis machines);
- 2) In order to save money for the raw materials, especially when they have a big impact on the price (aluminum, titanium, etc.)

Indirectly to these reasons, and in order to improve the performance of the machine tool and the tools

**higher cutting speed +  
higher feed rate =  
bigger volume of metal removed =  
less time to machine the workpiece**

the market requires safe clamping, which could at the same time possibly avoid the deformations of the piece itself.



**Only 3,5 mm clamping surface**, no need of pre-machining the workpiece, clamping stability, higher cutting rate: **SinterGrip** brings only advantages compared to the traditional systems.

On the contrary, traditional systems need, for the clamping of the workpiece, a bigger clamping surface, with the result of waste of raw materials and greater possibility of deformation of the workpiece.

■ Patented protected screw



### Applications / Customer Benefits

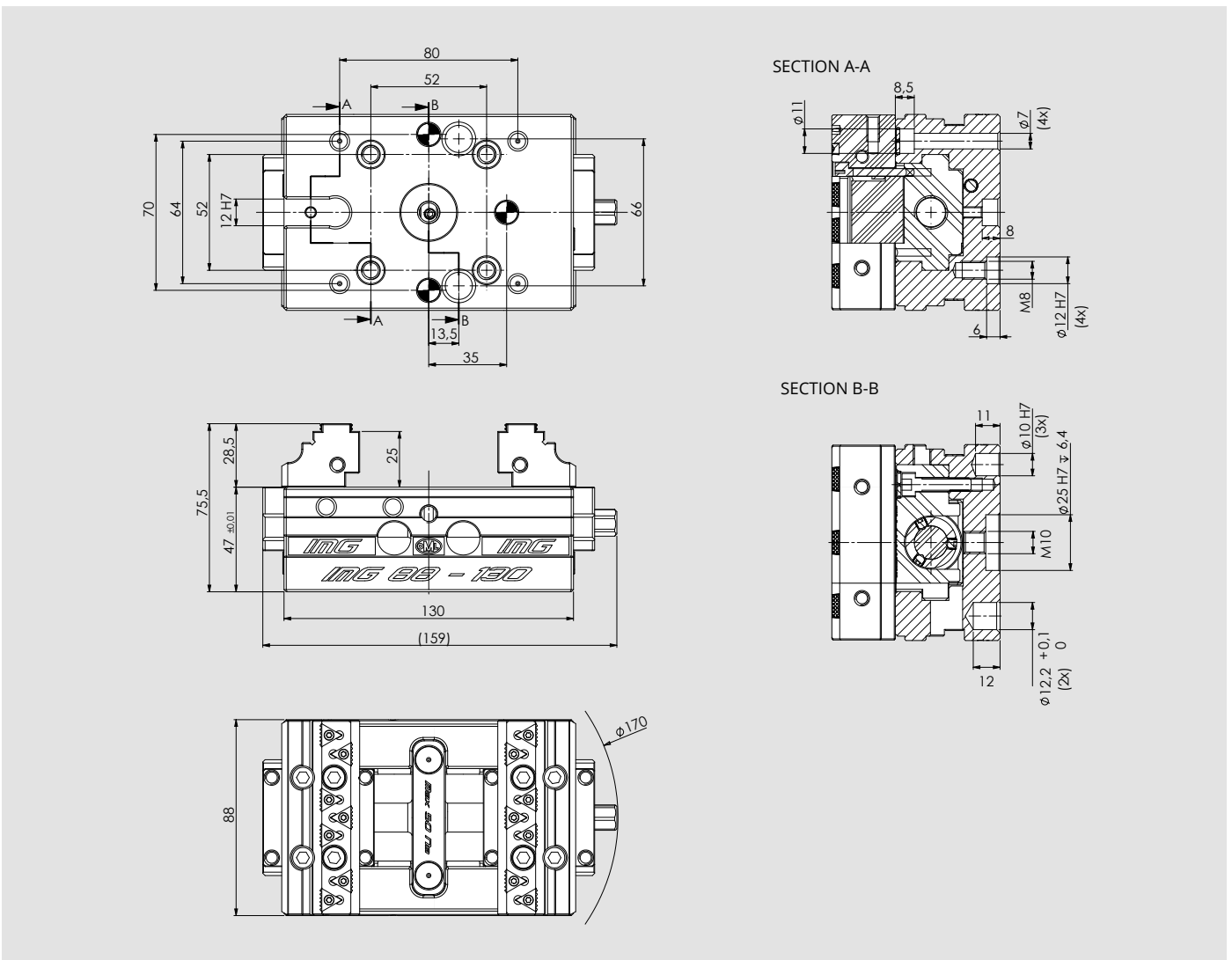
- Highly precise self-centering clamping with maximum repeatability
- Totally protected
- Compact design for better accessibility and very large drainage slots
- Jaws with SinterGrip clamping inserts for minimum workpiece clamping depth without pre-machining
- Type **IMG BASIC** with jaws without SinterGrip inserts
- Wide clamping range
- Ideal for OP 10 and OP 20

### Technical features

- Self-centering clamping
- Clamping force up to 32 kN (50 Nm)
- Jaw width 87,5 mm
- Interface for zero point systems APS / TDM and Plus 5 52 mm as standard

### Standard equipment

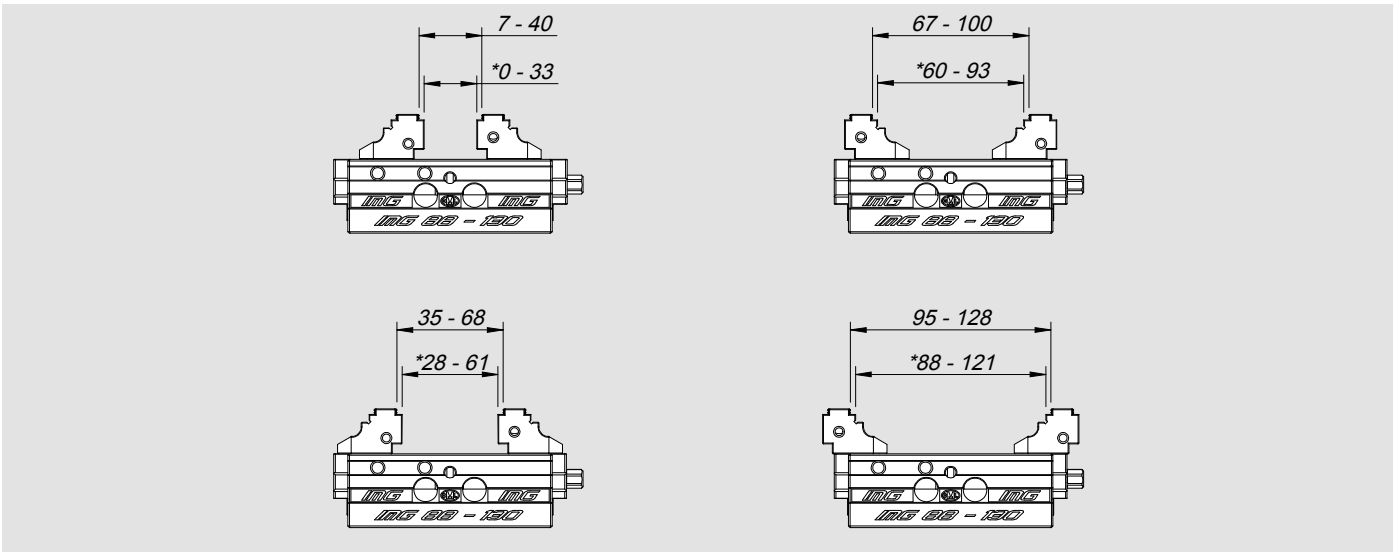
Wrench, jaws, nr. 10 Sintergrip inserts.



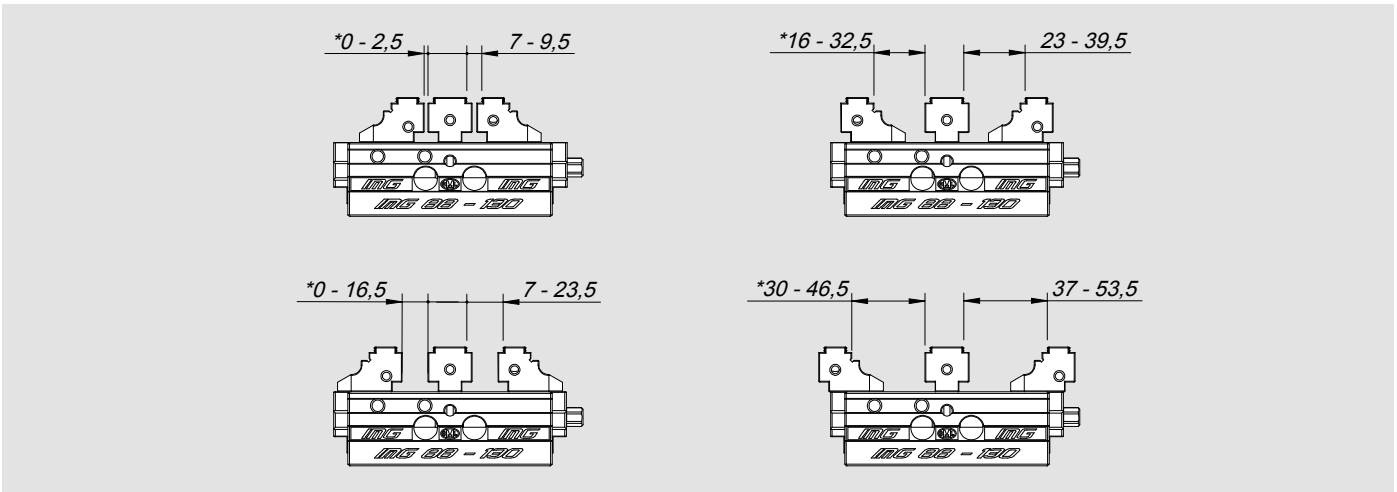
Type	Id. No.	Weight
IMG 88 - 130 with SinterGrip jaws <b>STD</b>	77583411	4,5 Kg
IMG 88 - 130 with SinterGrip jaws <b>ALU</b>	77583412	4,5 Kg
IMG 88 - 130 with SinterGrip jaws <b>HRC</b>	77583413	4,5 Kg
IMG 88 - 130 <b>Basic</b>	77583414	4,5 Kg
IMG 88 - 130 body only	77583401	3,5 Kg

■ Patented protected screw

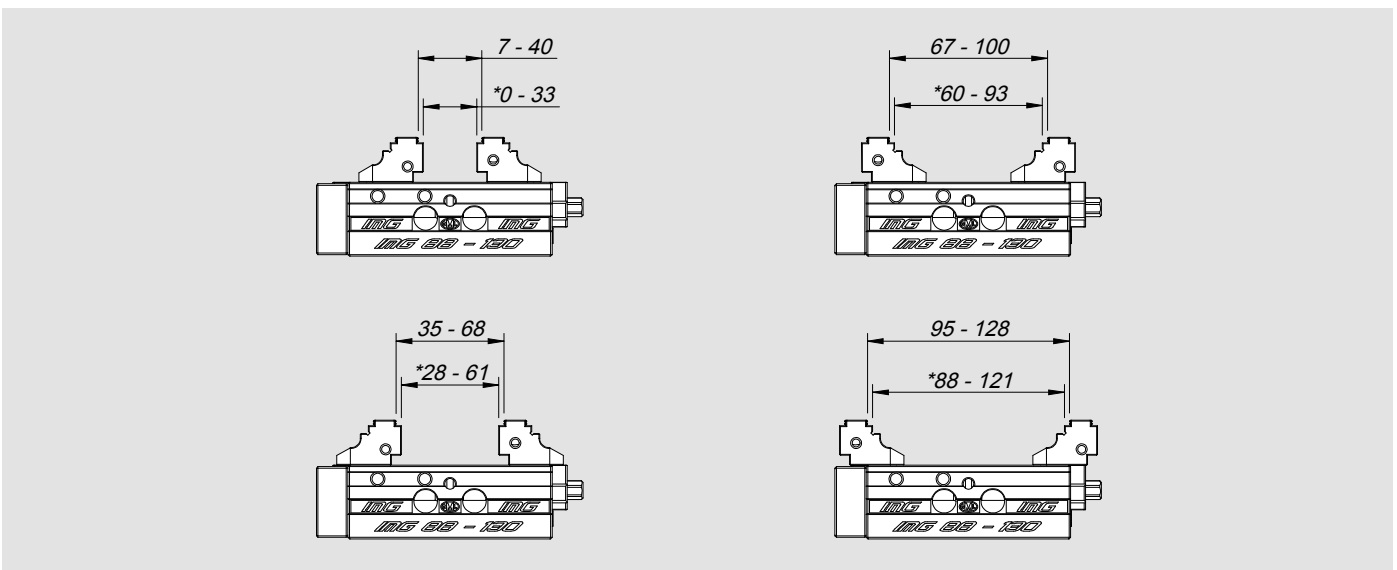
Self-centering



Double Clamping



Fixed



\* Opening with smooth jaws

Valid dimensions for both SinterGrip and Basic type



■ Patented protected screw



### Applications / Customer Benefits

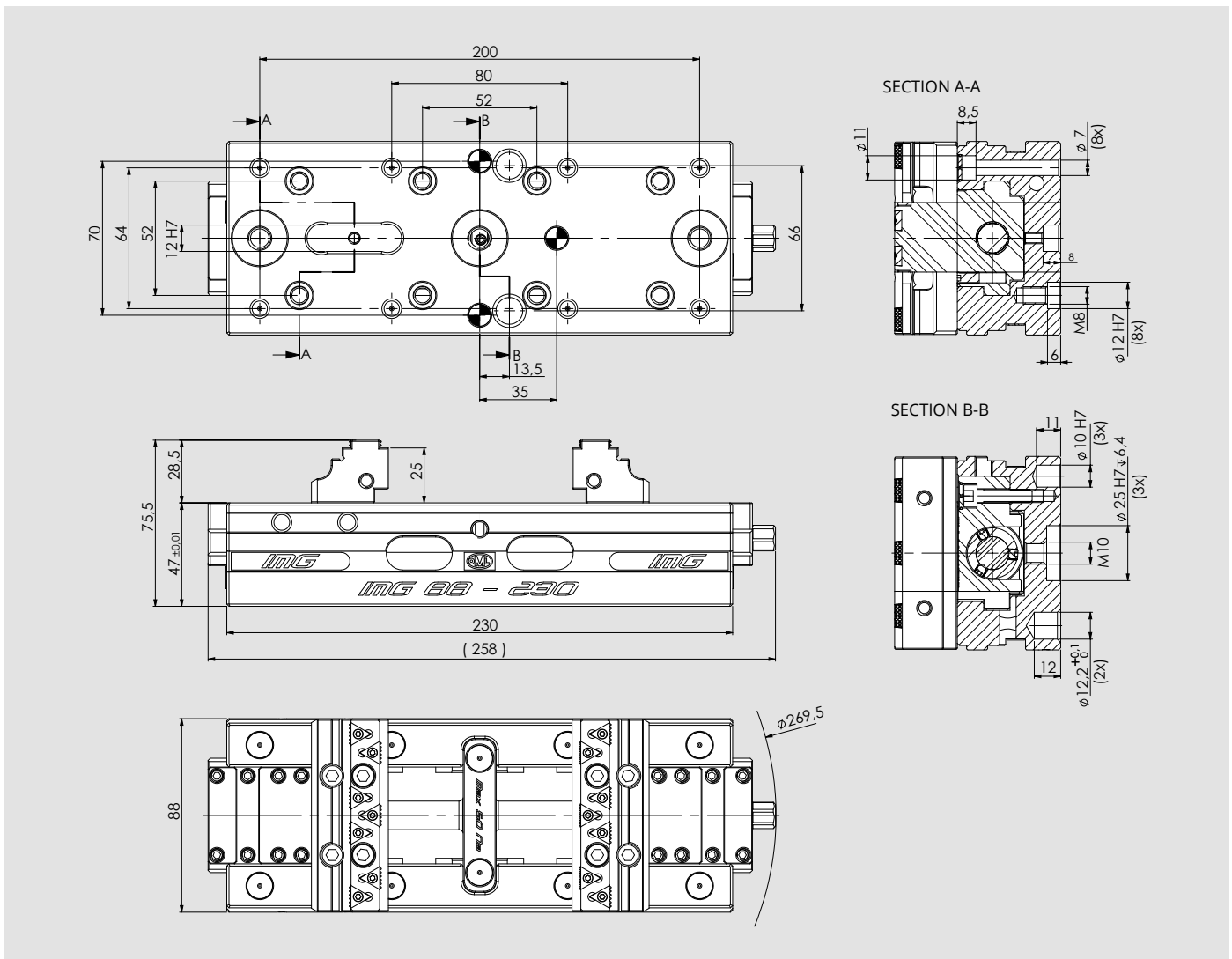
- Highly precise self-centering clamping with maximum repeatability
- Totally protected
- Compact design for better accessibility and very large drainage slots
- Jaws with SinterGrip clamping inserts for minimum workpiece clamping depth without pre-machining
- Type **IMG BASIC** with jaws without SinterGrip inserts
- Wide clamping range
- Ideal for OP 10 and OP 20

### Technical features

- Self-centering clamping
- Clamping force up to 32 kN (50 Nm)
- Jaw width 87,5 mm
- Interface for zero point systems APS / TDM and Plus 5 52 mm as standard

### Standard equipment

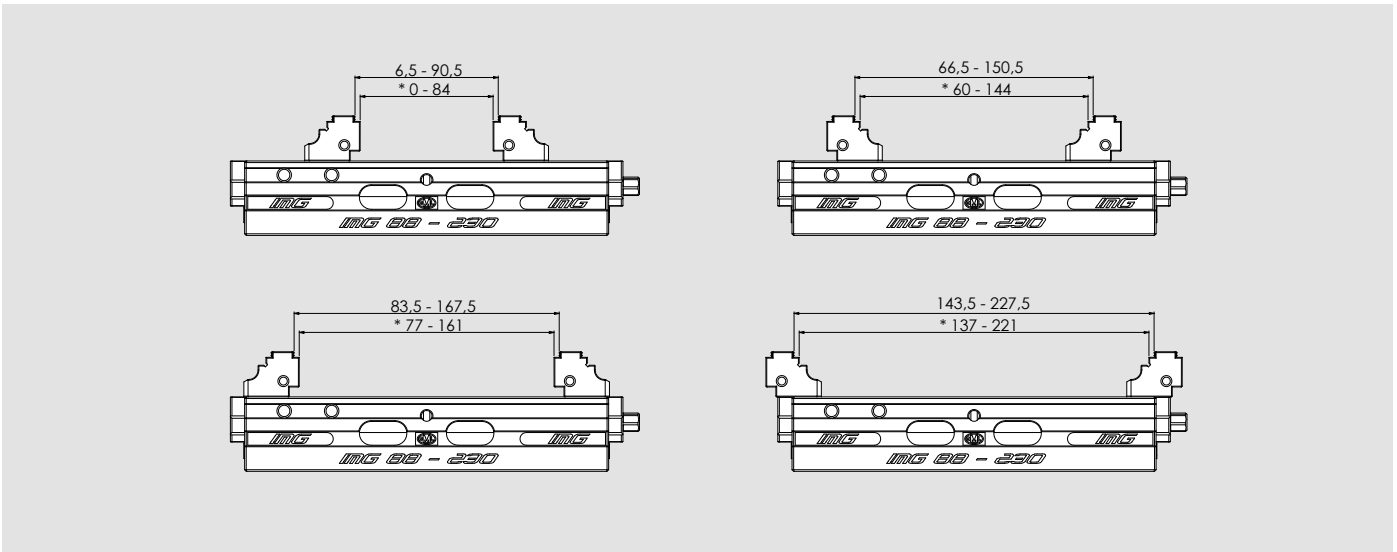
Wrench, jaws, nr. 10 Sintergrip inserts.



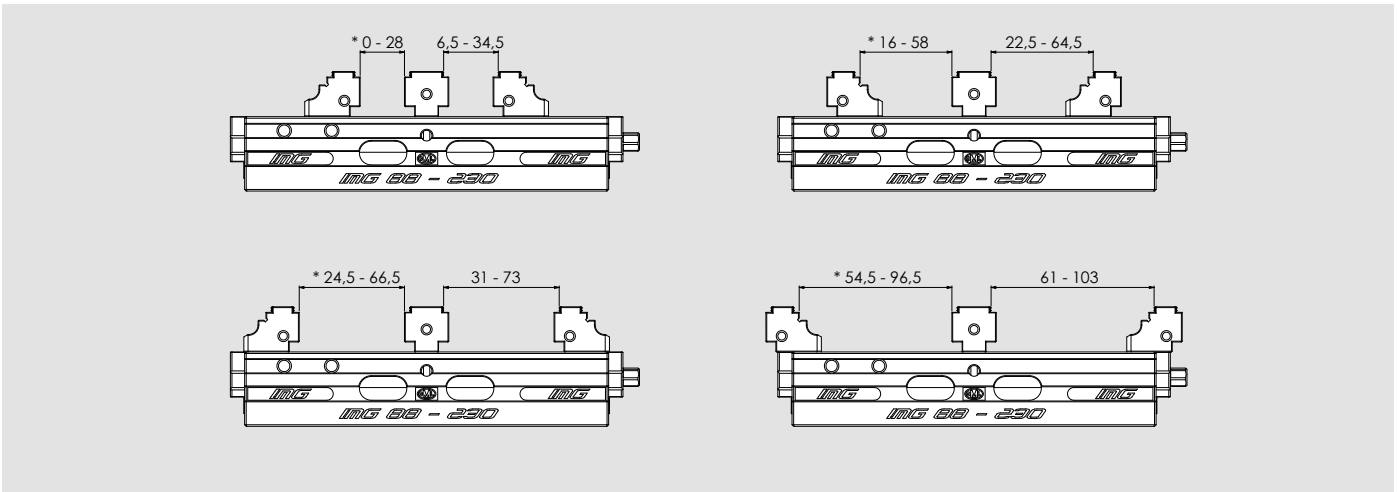
Type	Id. No.	Weight
IMG 88 - 230 with SinterGrip jaws <b>STD</b>	77583421	7,5 Kg
IMG 88 - 230 with SinterGrip jaws <b>ALU</b>	77583422	7,5 Kg
IMG 88 - 230 with SinterGrip jaws <b>HRC</b>	77583423	7,5 Kg
IMG 88 - 230 <b>Basic</b>	77583424	7,5 Kg
IMG 88 - 230 body only	77583402	6,5 Kg

■ Patented protected screw

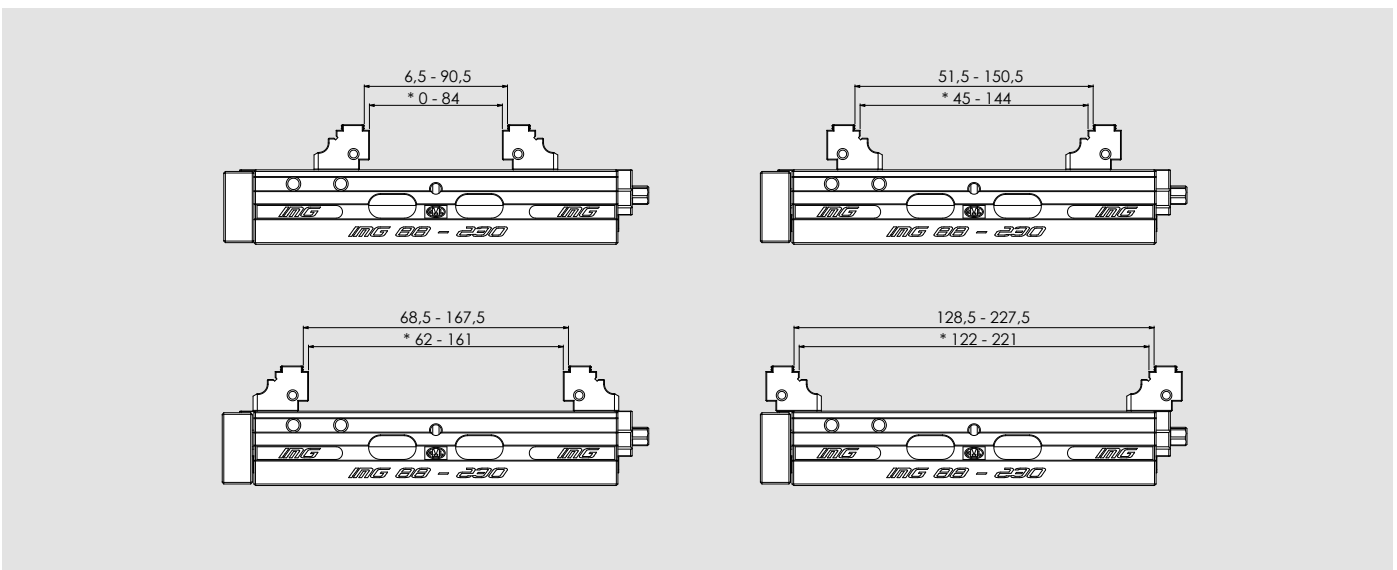
Self-centering



Double Clamping



Fixed



\* Opening with smooth jaws

Valid dimensions for both SinterGrip and Basic type

■ Patented protected screw



### Applications / Customer Benefits

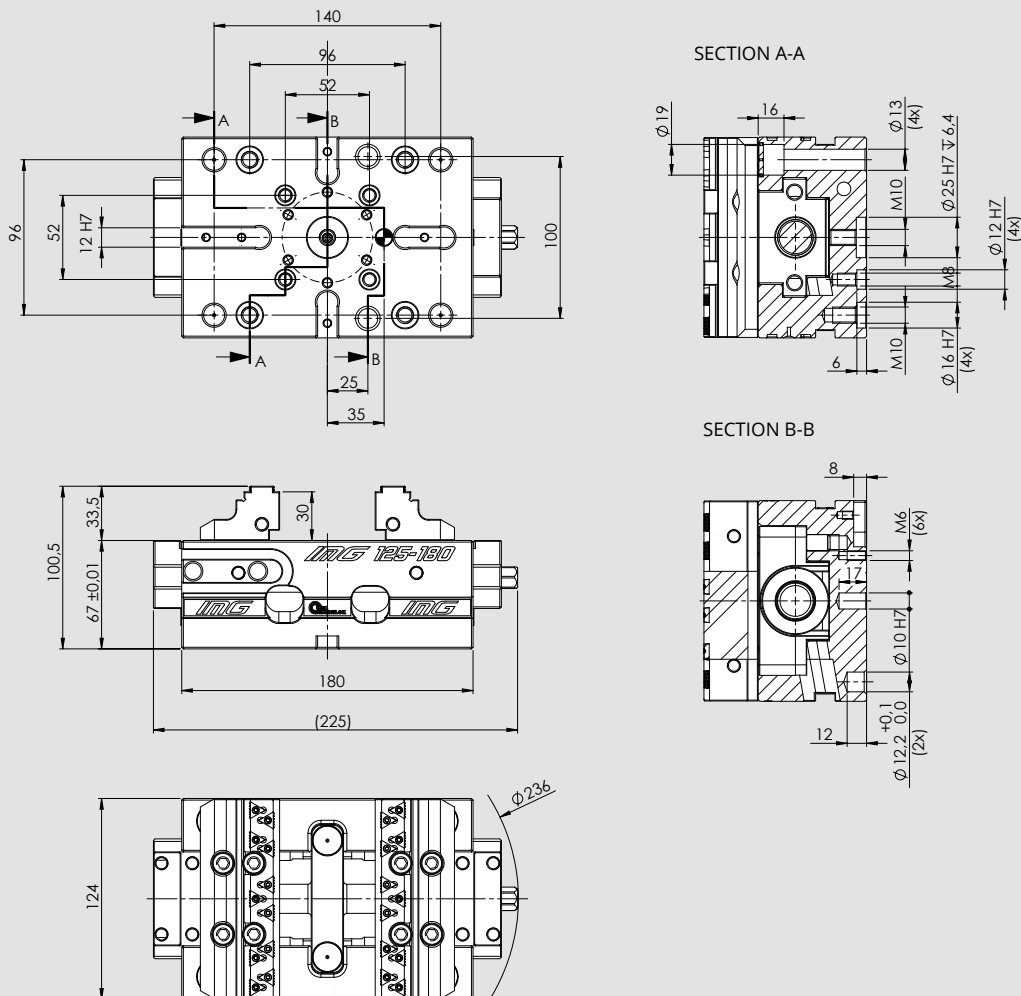
- Highly precise self-centering clamping with maximum repeatability
- Totally protected
- Compact design for better accessibility and very large drainage slots
- Jaws with SinterGrip clamping inserts for minimum workpiece clamping depth without pre-machining
- Type **IMG BASIC** with jaws without SinterGrip inserts
- Wide clamping range
- Ideal for OP 10 and OP 20

### Technical features

- Self-centering clamping
- Clamping force up to 40 kN (80 Nm)
- Jaw width 125 mm
- Interface for zero point systems APS / TDM and Plus 5 52 / 96 mm as standard

### Standard equipment

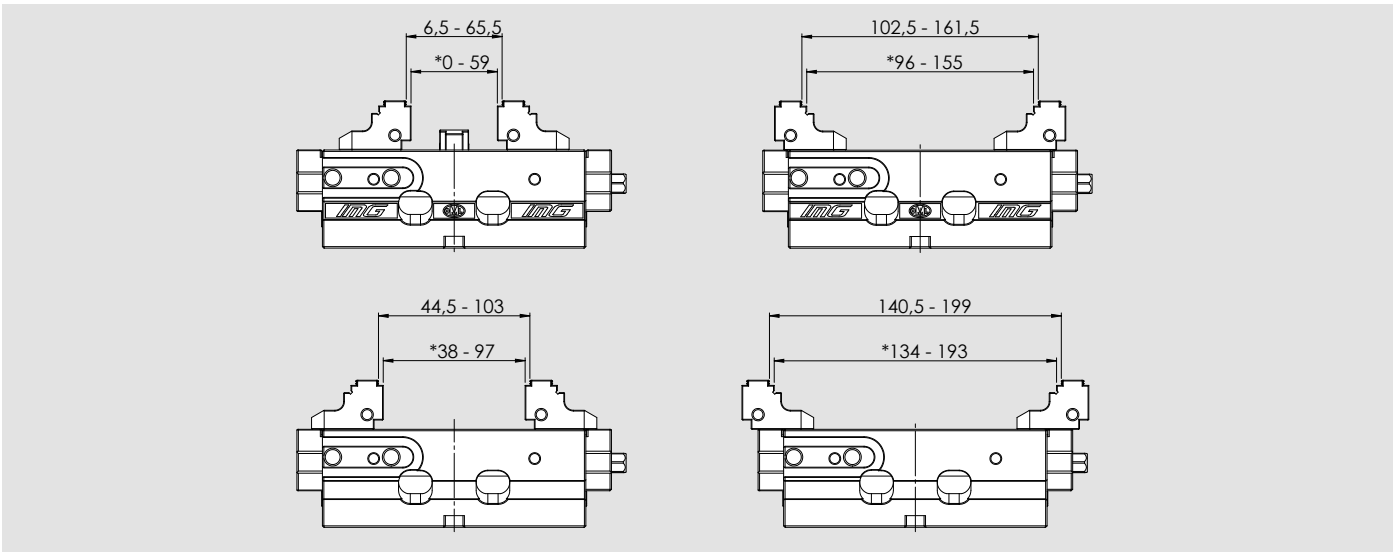
Wrench, jaws, nr. 10 Sintergrip inserts.



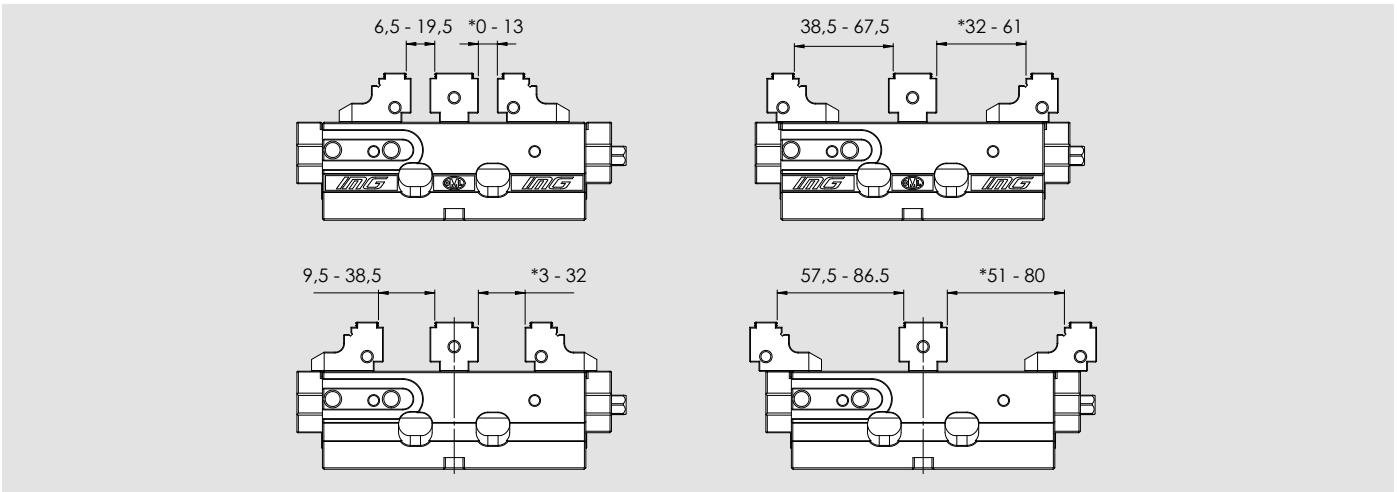
Type	Id. No.	Weight
IMG 125 - 180 with SinterGrip jaws <b>STD</b>	77583531	12 Kg
IMG 125 - 180 with SinterGrip jaws <b>ALU</b>	77583532	12 Kg
IMG 125 - 180 with SinterGrip jaws <b>HRC</b>	77583533	12 Kg
IMG 125 - 180 <b>Basic</b>	77583534	12 Kg
IMG 125 - 180 body only	77583503	10 Kg

■ Patented protected screw

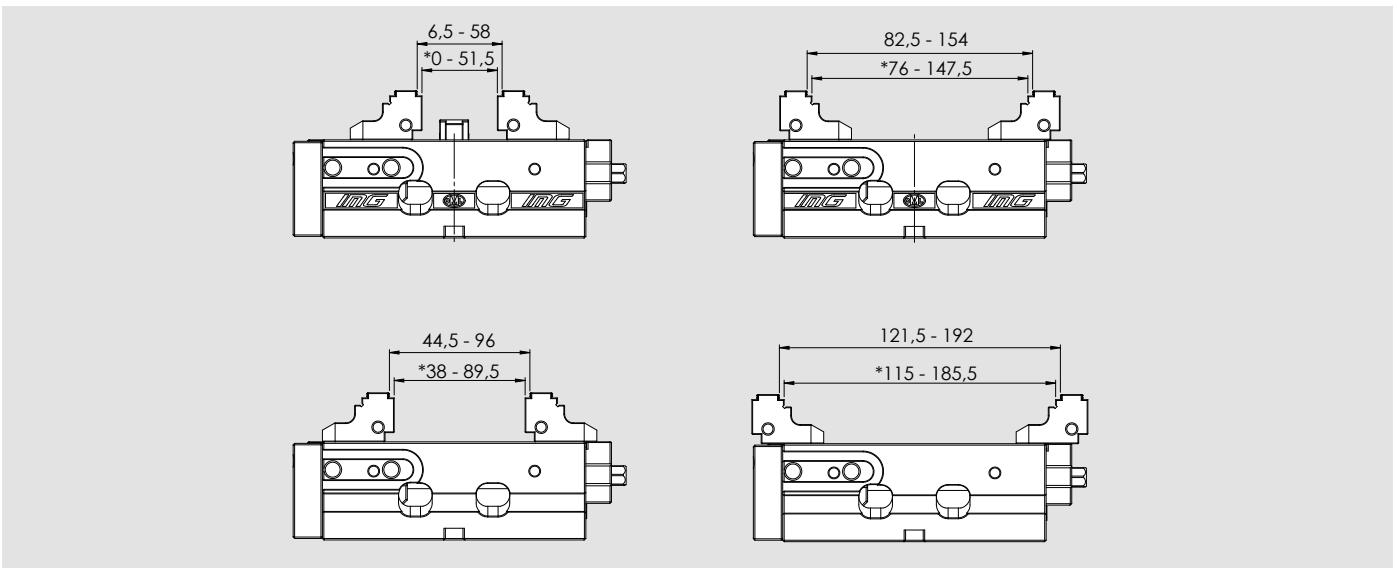
Self-centering



Double Clamping



Fixed



\* Opening with smooth jaws

Valid dimensions for both SinterGrip and Basic type

■ Patented protected screw



### Applications / Customer Benefits

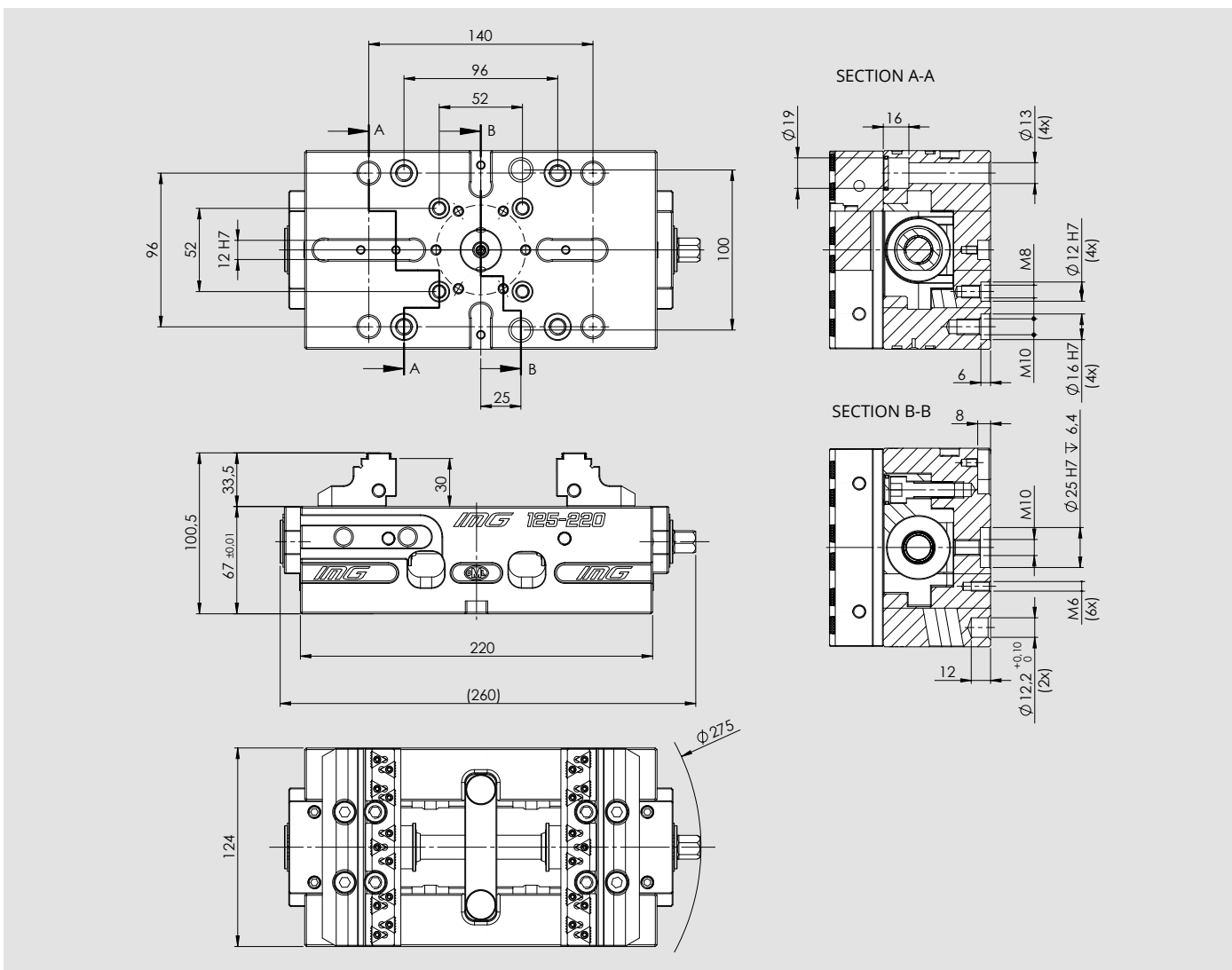
- Highly precise self-centering clamping with maximum repeatability
- Totally protected
- Compact design for better accessibility and very large drainage slots
- Jaws with SinterGrip clamping inserts for minimum workpiece clamping depth without pre-machining
- Type **IMG BASIC** with jaws without SinterGrip inserts
- Wide clamping range
- Ideal for OP 10 and OP 20

### Technical features

- Self-centering clamping
- Clamping force up to 40 kN (80 Nm)
- Jaw width 125 mm
- Interface for zero point systems APS / TDM and Plus 5 52 / 96 mm as standard

### Standard equipment

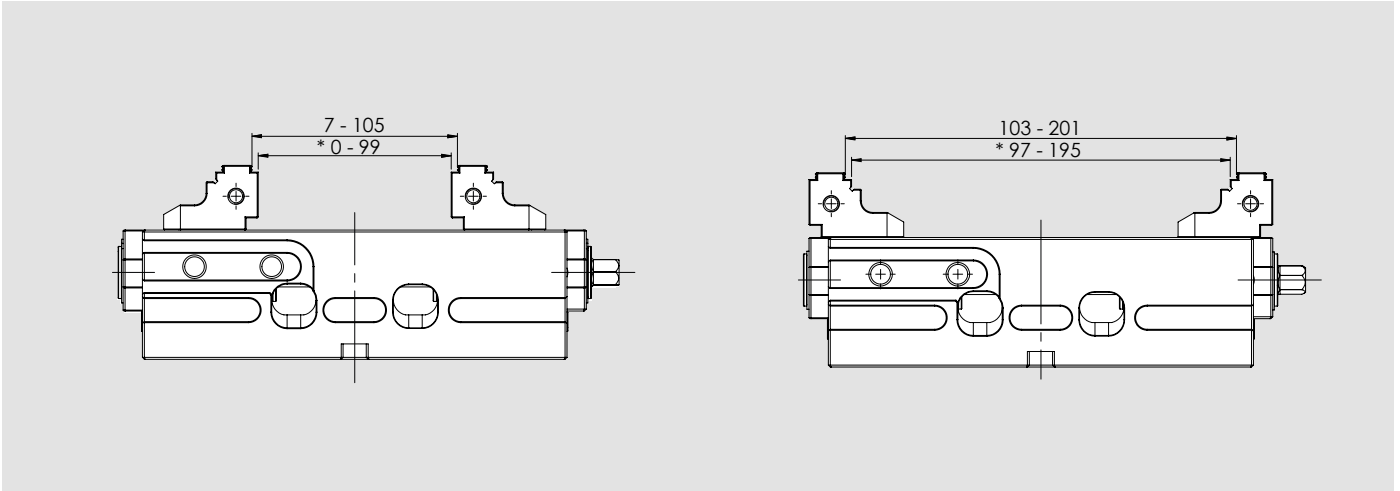
Wrench, jaws, nr. 10 Sintergrip inserts.



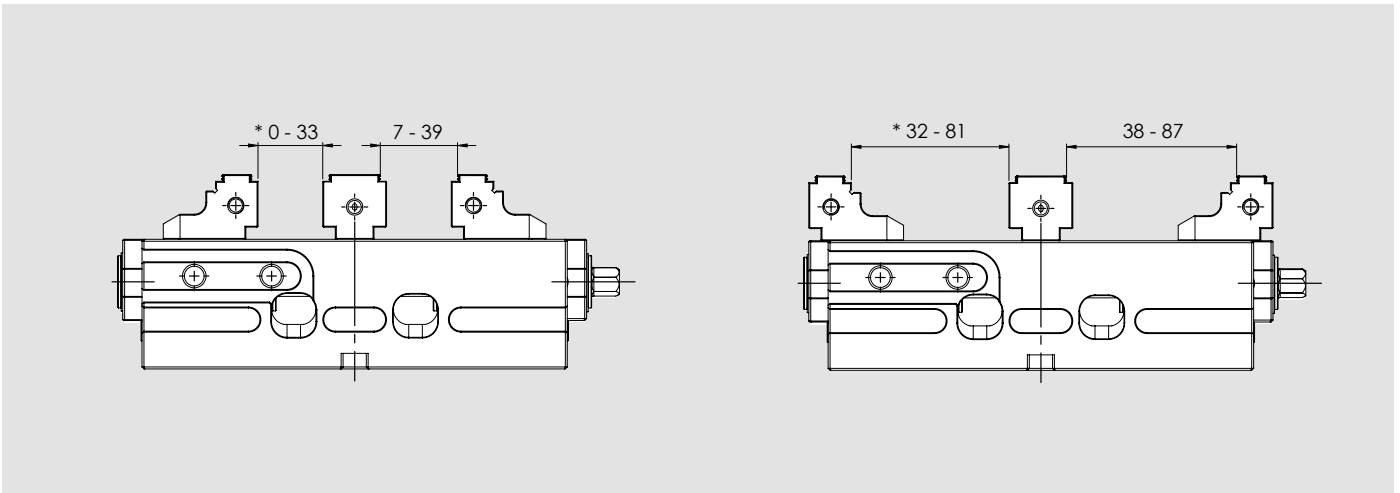
Type	Id. No.	Weight
IMG 125 - 220 with SinterGrip jaws <b>STD</b>	77583511	15 Kg
IMG 125 - 220 with SinterGrip jaws <b>ALU</b>	77583512	15 Kg
IMG 125 - 220 with SinterGrip jaws <b>HRC</b>	77583513	15 Kg
IMG 125 - 220 <b>Basic</b>	77583514	15 Kg
IMG 125 - 220 body only	77583501	13 Kg

■ Patented protected screw

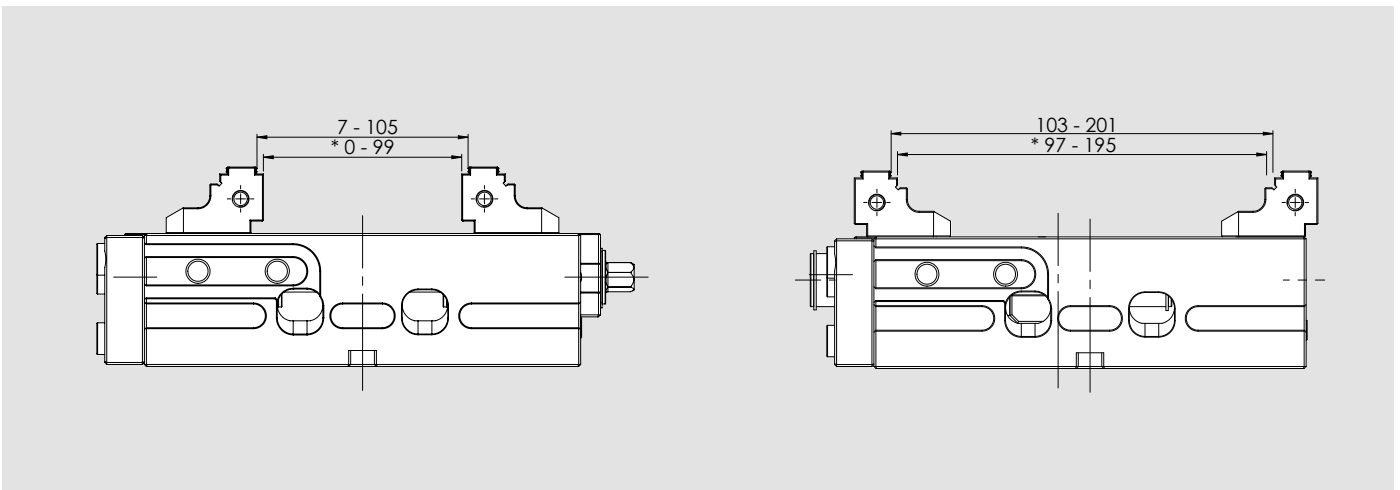
Self-centering



Double Clamping



Fixed



\* Opening with smooth jaws

Valid dimensions for both SinterGrip and Basic type

■ Patented protected screw



### Applications / Customer Benefits

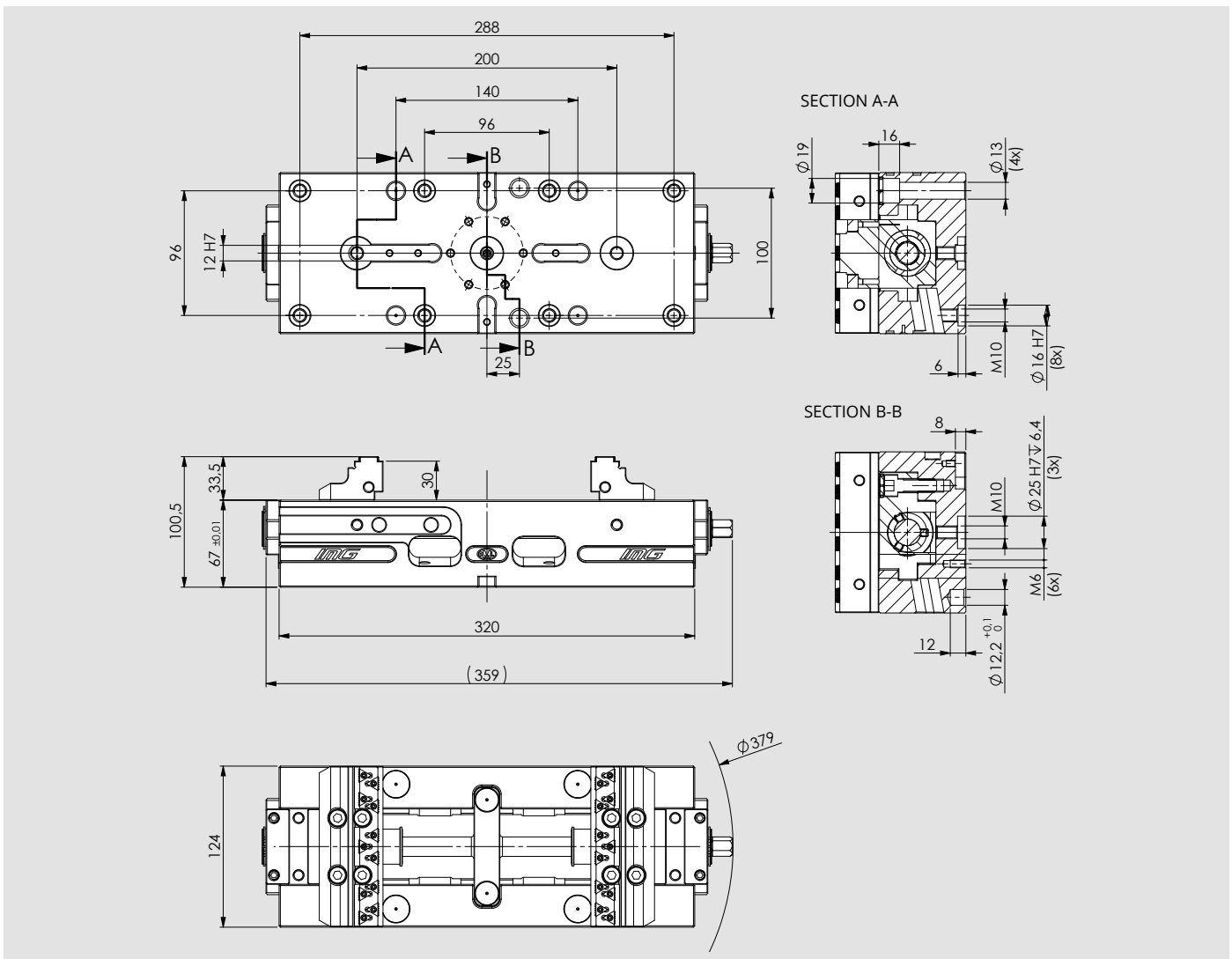
- Highly precise self-centering clamping with maximum repeatability
- Totally protected
- Compact design for better accessibility and very large drainage slots
- Jaws with SinterGrip clamping inserts for minimum workpiece clamping depth without pre-machining
- Type **IMG BASIC** with jaws without SinterGrip inserts
- Wide clamping range
- Ideal for OP 10 and OP 20

### Technical features

- Self-centering clamping
- Clamping force up to 40 kN (80 Nm)
- Jaw width 125 mm
- Interface for zero point systems APS / TDM and Plus 5 96 mm as standard

### Standard equipment

Wrench, jaws, nr. 10 Sintergrip inserts.

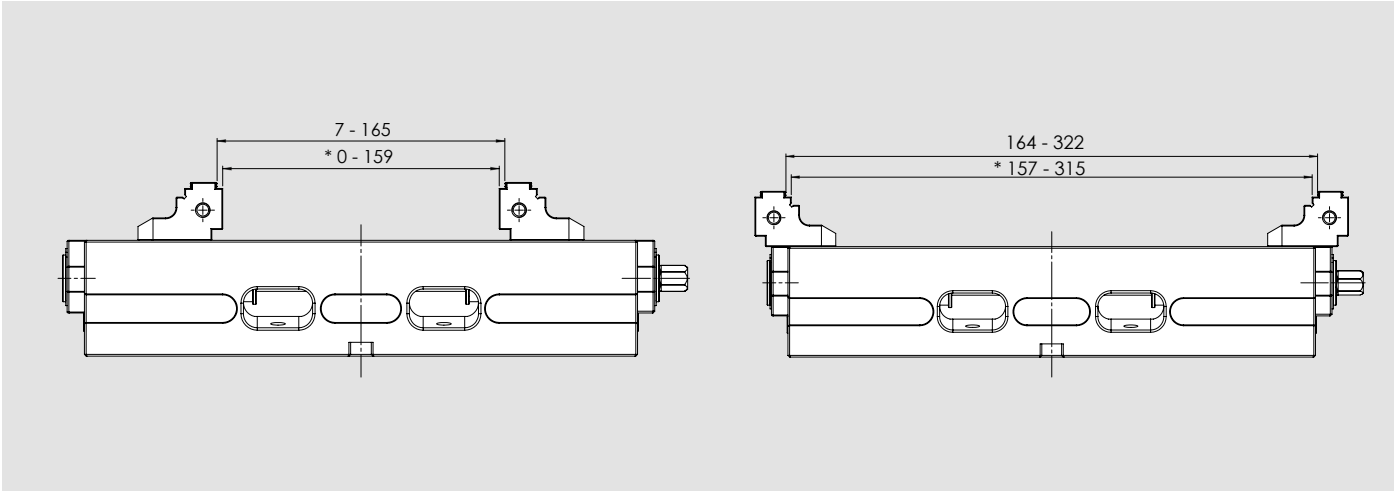


Type	Id. No.	Weight
IMG 125 - 320 with SinterGrip jaws <b>STD</b>	77583521	20 Kg
IMG 125 - 320 with SinterGrip jaws <b>ALU</b>	77583522	20 Kg
IMG 125 - 320 with SinterGrip jaws <b>HRC</b>	77583523	20 Kg
IMG 125 - 320 <b>Basic</b>	77583524	20 Kg
IMG 125 - 320 body only	77583502	18 Kg

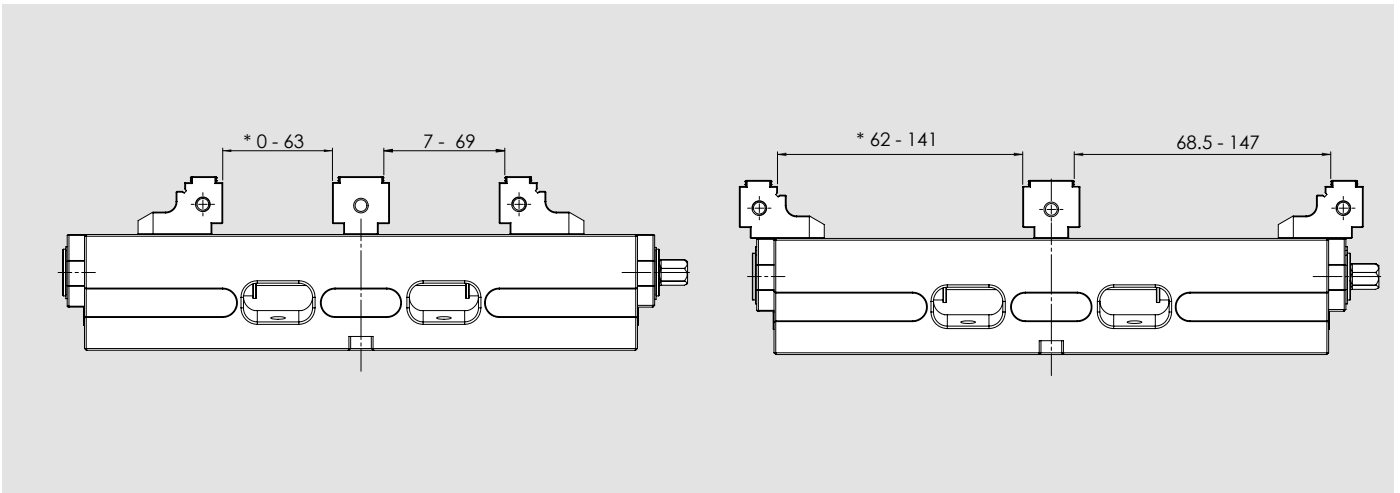


■ Patented protected screw

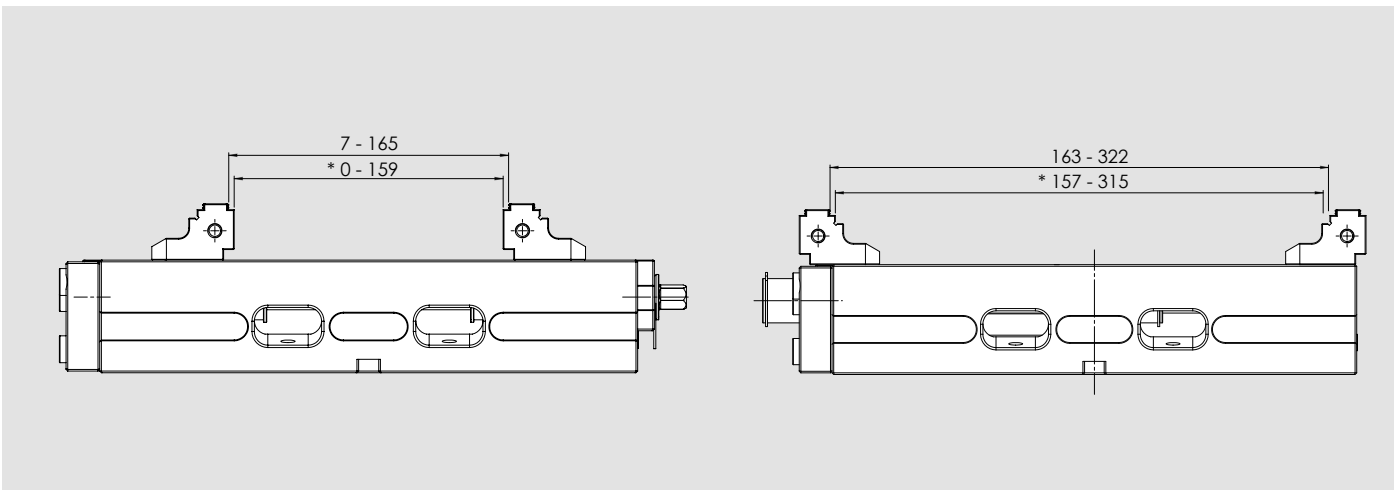
Self-centering



Double Clamping



Fixed



\* Opening with smooth jaws

Valid dimensions for both SinterGrip and Basic type

■ Patented protected screw



### Applications / Customer Benefits

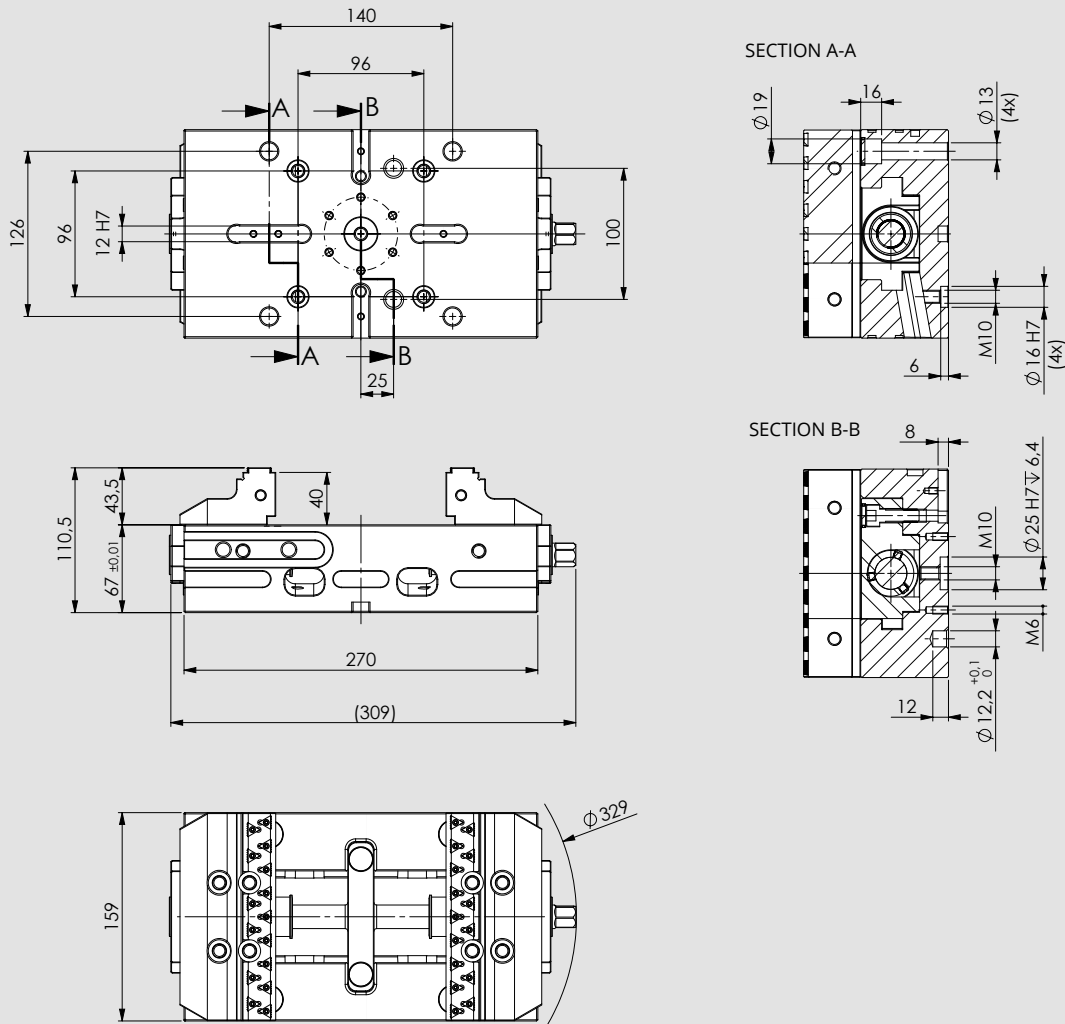
- Highly precise self-centering clamping with maximum repeatability
- Totally protected
- Compact design for better accessibility and very large drainage slots
- Jaws with SinterGrip clamping inserts for minimum workpiece clamping depth without pre-machining
- Type **IMG BASIC** with jaws without SinterGrip inserts
- Wide clamping range
- Ideal for OP 10 and OP 20

### Technical features

- Self-centering clamping
- Clamping force up to 50 kN (100 Nm)
- Jaw width 160 mm
- Interface for zero point systems APS / TDM and Plus 5 96 mm as standard

### Standard equipment

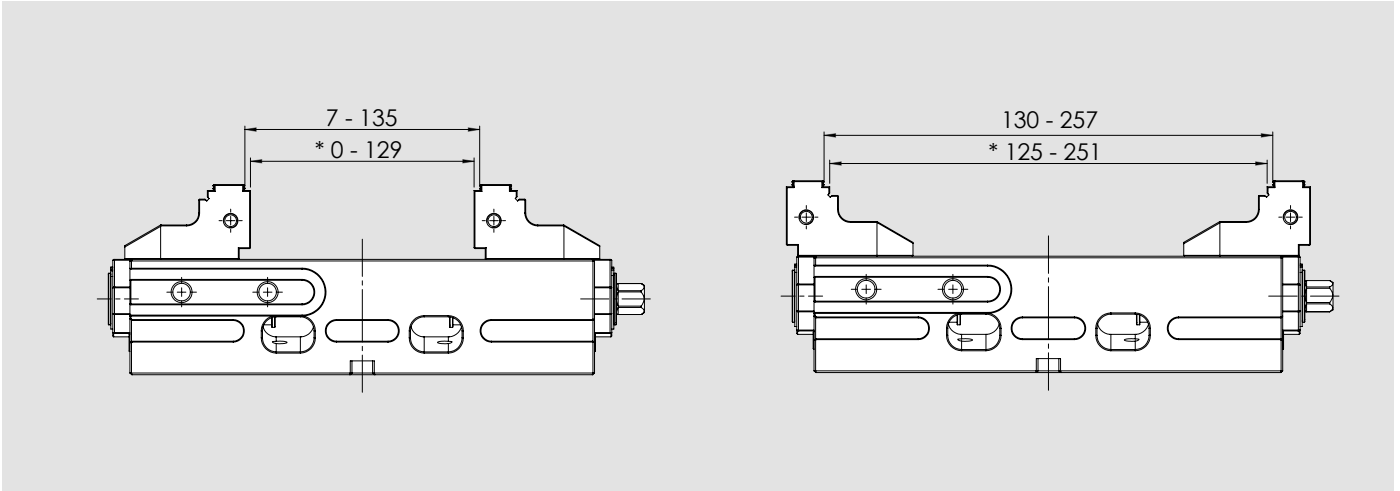
Wrench, jaws, nr. 10 Sintergrip inserts.



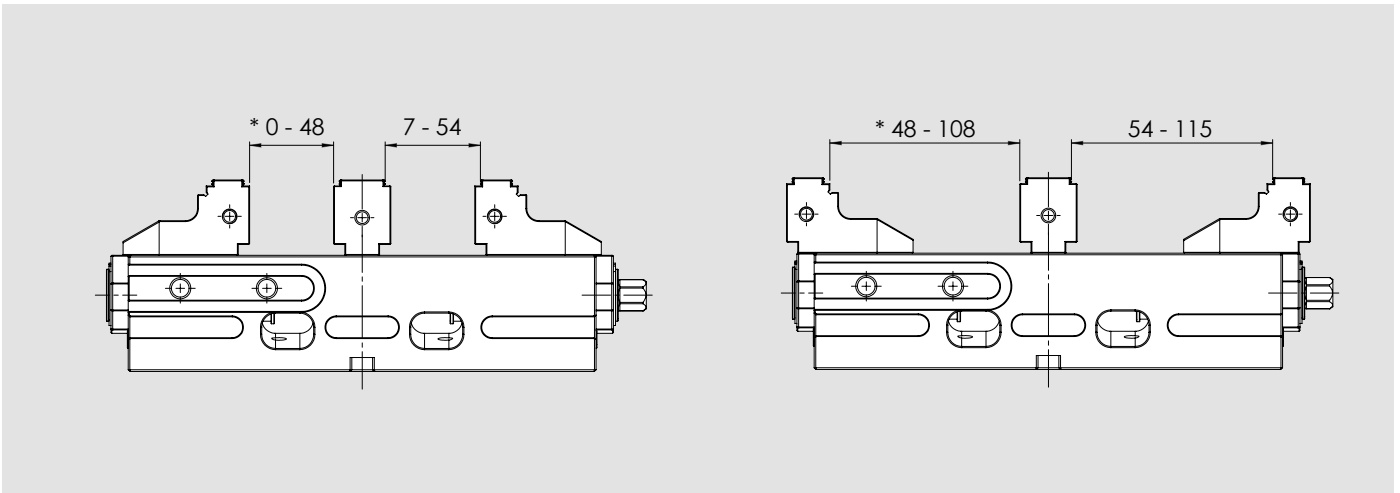
Type	Id. No.	Weight
IMG 160 - 270 with SinterGrip jaws <b>STD</b>	77583611	22 Kg
IMG 160 - 270 with SinterGrip jaws <b>ALU</b>	77583612	22 Kg
IMG 160 - 270 with SinterGrip jaws <b>HRC</b>	77583613	22 Kg
IMG 160 - 270 <b>Basic</b>	77583614	22 Kg
IMG 160 - 270 body only	77583601	17 Kg

■ Patented protected screw

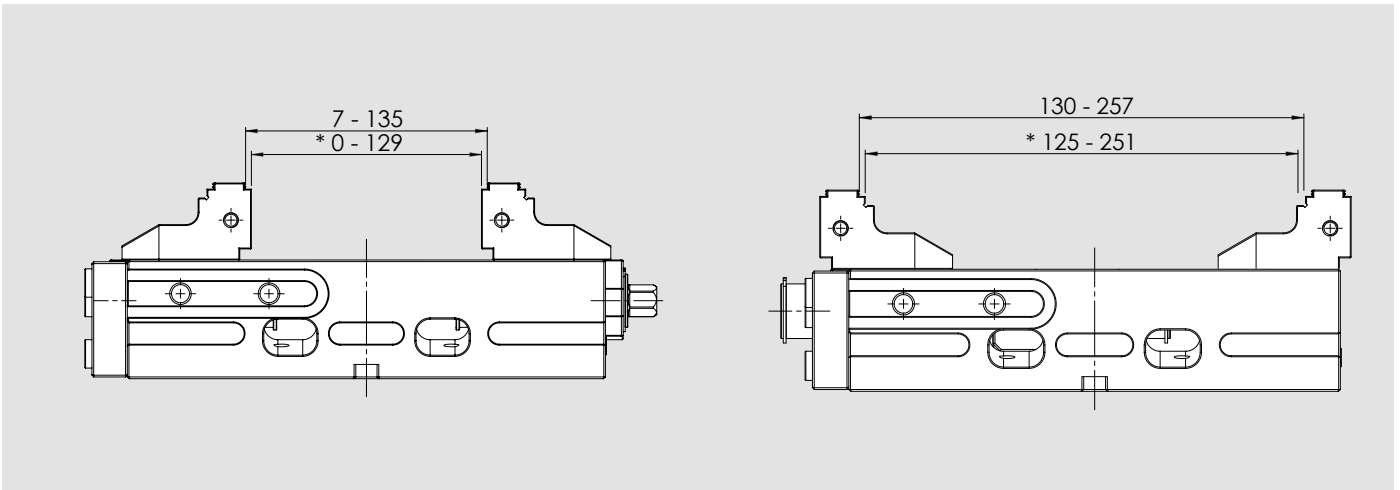
Self-centering



Double Clamping



Fixed



\* Opening with smooth jaws

Valid dimensions for both SinterGrip and Basic type

■ Patented protected screw



### Applications / Customer Benefits

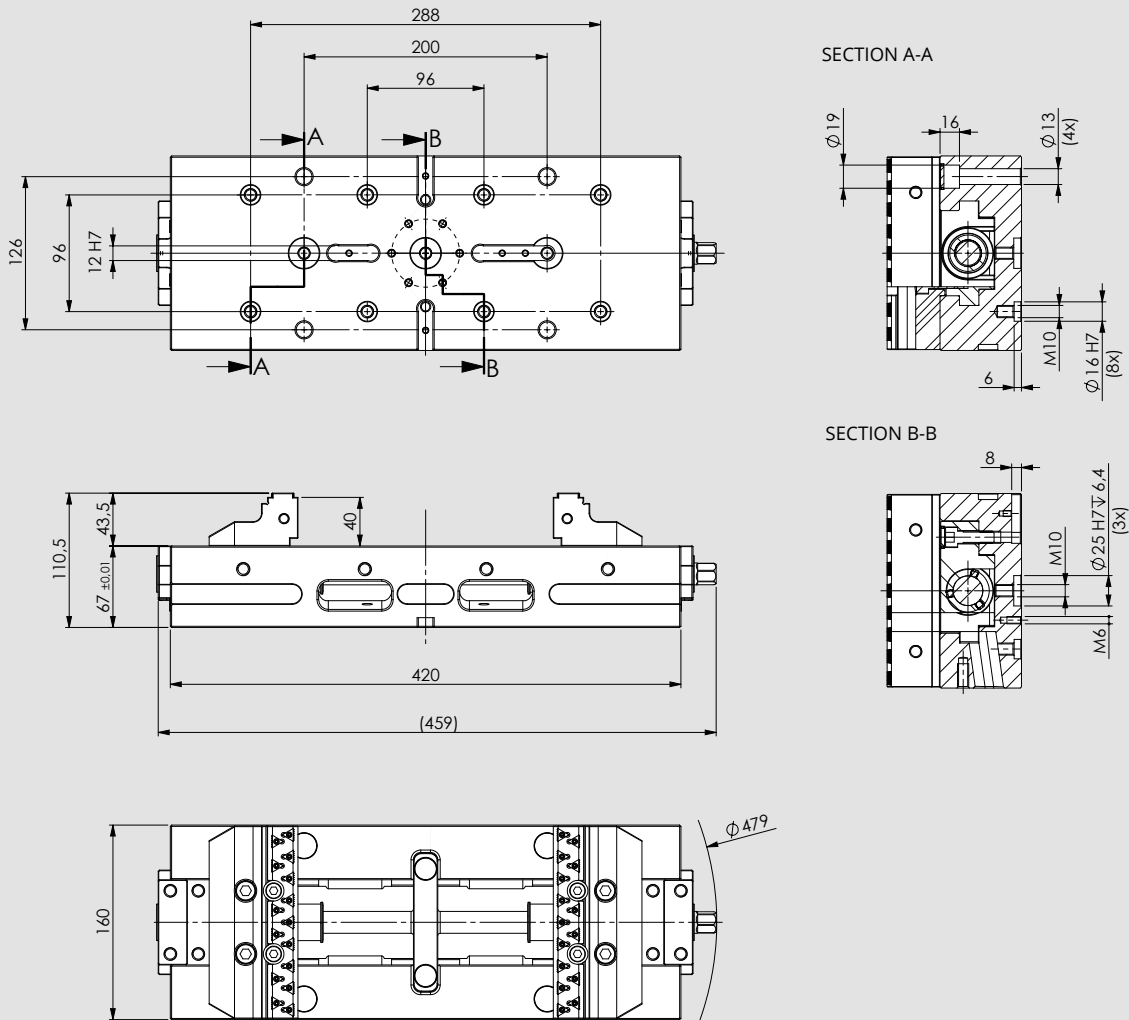
- Highly precise self-centering clamping with maximum repeatability
- Totally protected
- Compact design for better accessibility and very large drainage slots
- Jaws with SinterGrip clamping inserts for minimum workpiece clamping depth without pre-machining
- Type **IMG BASIC** with jaws without SinterGrip inserts
- Wide clamping range
- Ideal for OP 10 and OP 20

### Technical features

- Self-centering clamping
- Clamping force up to 50 kN (100 Nm)
- Jaw width 160 mm
- Interface for zero point systems APS / TDM and Plus 5 96 mm as standard

### Standard equipment

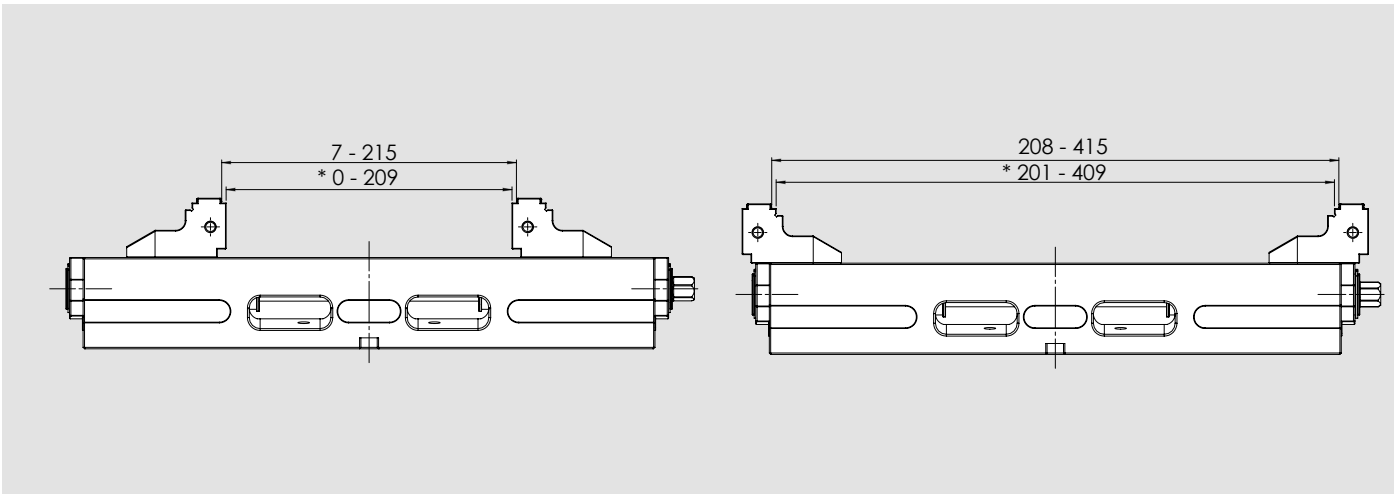
Wrench, jaws, nr. 10 Sintergrip inserts.



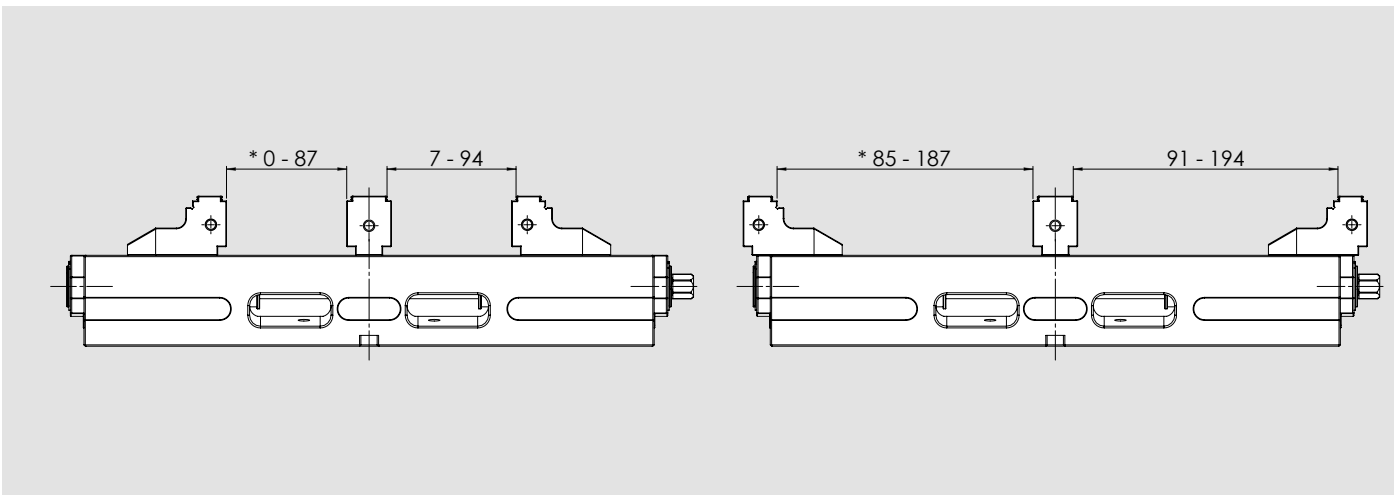
Type	Id. No.	Weight
IMG 160 - 420 with SinterGrip jaws <b>STD</b>	77583621	32 Kg
IMG 160 - 420 with SinterGrip jaws <b>ALU</b>	77583622	32 Kg
IMG 160 - 420 with SinterGrip jaws <b>HRC</b>	77583623	32 Kg
IMG 160 - 420 <b>Basic</b>	77583624	32 Kg
IMG 160 - 420 body only	77583602	27 Kg

■ Patented protected screw

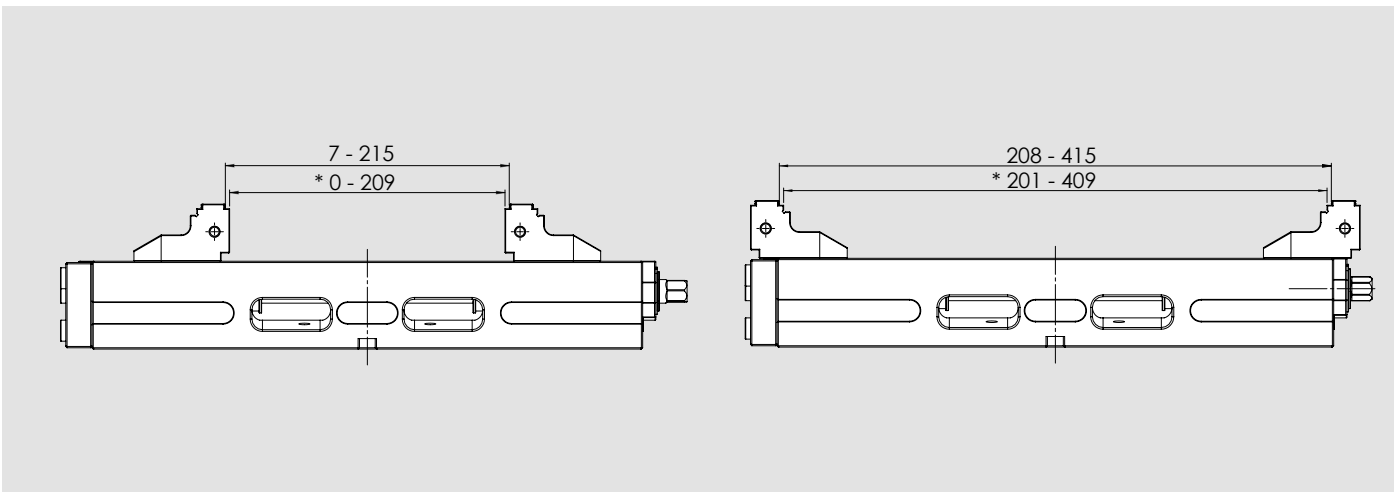
Self-centering



Double Clamping



Fixed



\* Opening with smooth jaws

Valid dimensions for both SinterGrip and Basic type

**Double clamping jaw (SinterGrip not included, to be specified when ordering)**



Type	Id. No.
IMG 88	58341719
IMG 125	58351719
IMG 160	58361719

**Double clamping smooth jaw**



Type	Id. No.
IMG 88	58341739
IMG 125	58351739
IMG 160	58361739

**Double clamping jaw BASIC**



Type	Id. No.
IMG 88	58341759
IMG 125	58351759
IMG 160	58361759

**Reduced double clamping jaw (SinterGrip not included, to be specified when ordering)**



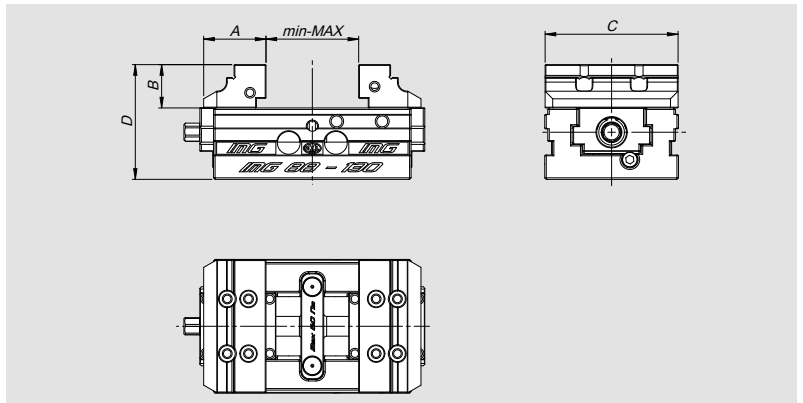
Type	Id. No.
IMG 88	58341729
IMG 125	58351729
IMG 160	58361729

**Retainer plate**



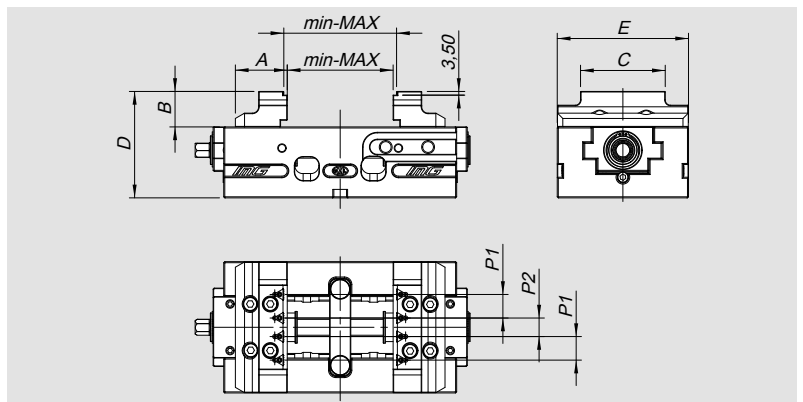
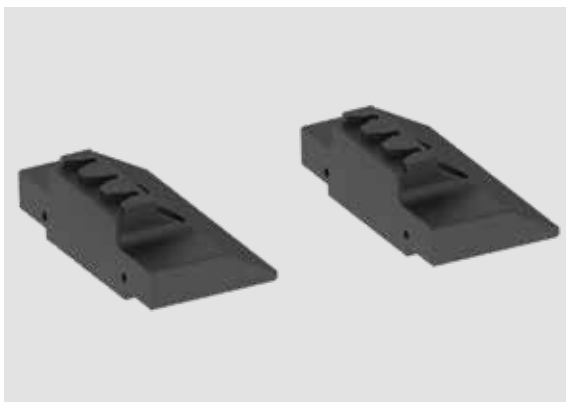
Type	Id. No.
IMG 88	58341019
IMG 125 - 180	58351039
IMG 125 - 220 / 320	58351019
IMG 160	58361019

Pair of smooth jaws



Type	Id. No.	A	B	C	D	min-max
IMG 88 / V5 88	58341819	41	28,5	87,5	75,5	see page 45
IMG 125 / V5 125	58351819	49	33,5	123,5	100,5	see page 47 / 49
IMG 160	58361819	73	43,5	158,5	110,5	see page 55 / 57

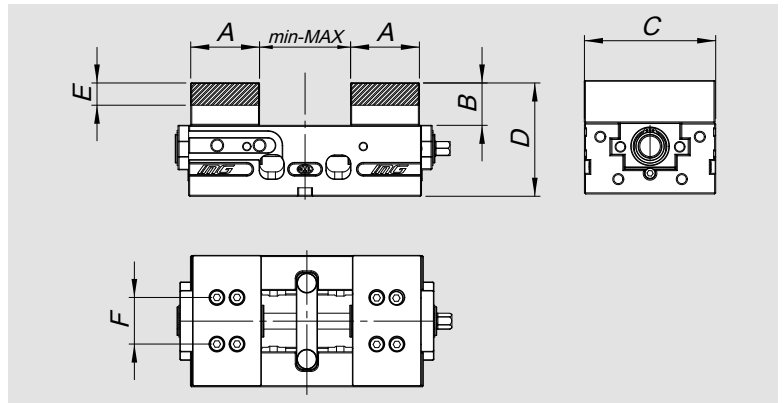
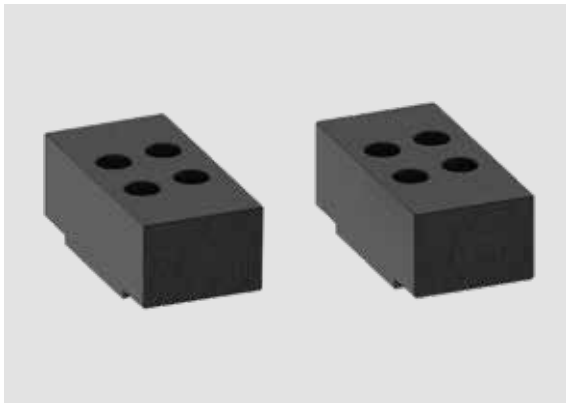
Pair of reduced jaws - SinterGrip not included, to be specified when ordering



Type	Id. No.	A	B	C	D	E	p1	p2	min.	max.	n. seats
IMG 88-130 / V5 88-130	58341519	35	38,5	48	85,5	87,5	--	18	0 - 7	61 - 67,5	2
IMG 125-180 / V5 125-180	58351519	49	43,5	74	110,5	123,5	21,5	18	0 - 7	59 - 65,5	4
IMG 125-220	58351519	49	43,5	74	110,5	123,5	21,5	18	0 - 7	99 - 105	4
IMG 125-320	58351519	49	43,5	74	110,5	123,5	21,5	18	0 - 7	159 - 165	4
IMG 160-270	58361519	73	53,5	82	120,5	158,5	17	17	0 - 7	129 - 135	5
IMG 160-420	58361519	73	53,5	82	120,5	158,5	17	17	0 - 7	209 - 215	5

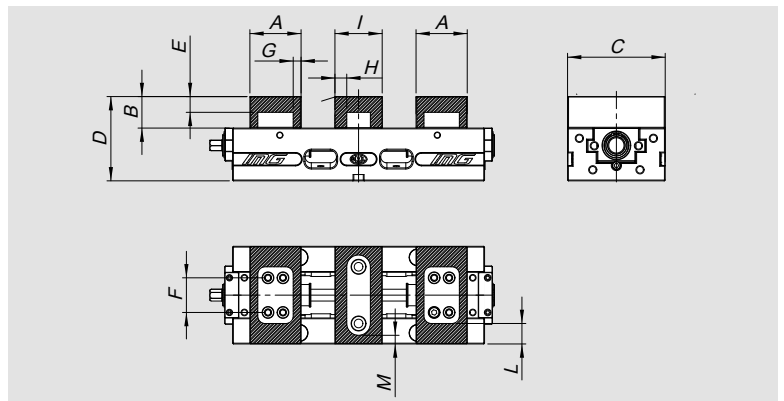
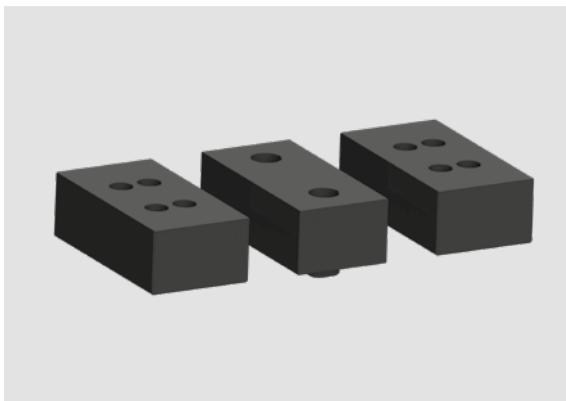


### Pair of soft jaws (soft steel – ALU)



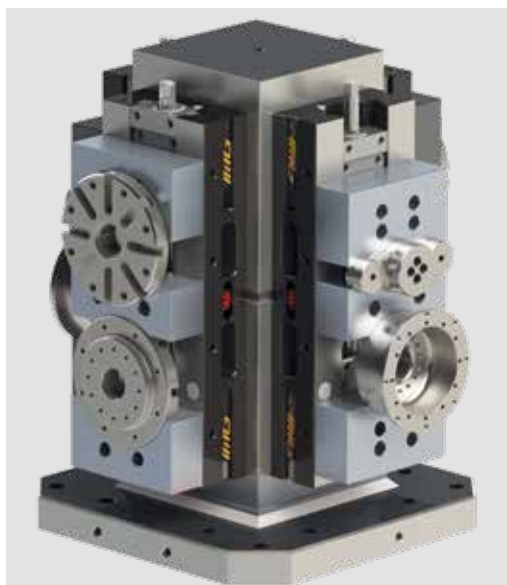
Type	Id. No.	A	B	C	D	E	F	min.	max.
IMG 88 / V5 88	ALU 58341619	45	40	87.5	87	23	36	0	54
IMG 88 / V5 88	Fe 58341629	45	40	87.5	87	23	36	0	54
IMG 125 / V5 125	ALU 58351619	65	40	123,5	107	20	44	0	86 (125x220) / 186 (125x320)
IMG 125 / V5 125	Fe 58351629	65	40	123,5	107	20	44	0	86 (125x220) / 186 (125x320)
IMG 160	ALU 58361619	85	50	158.5	117	25	52	0	141-147 (160x270) / 221-227 (160x420)
IMG 160	Fe 58361629	85	50	158.5	117	25	52	0	141-147 (160x270) / 221-227 (160x420)

### Set of soft jaws for double clamping

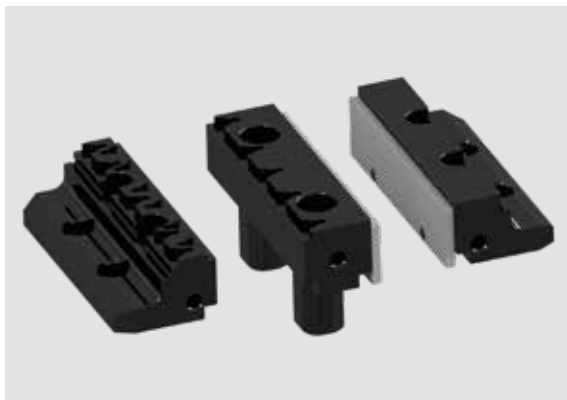


Type	Id. No.	A	B	C	D	E	F	G	H	I	L	M
IMG 125	ALU 58359519	65	40	123,5	107	20	44	10	15	60	25	11
IMG 125	Fe 58359619	65	40	123,5	107	20	44	10	15	60	25	11
IMG 160	ALU 58369519	85	50	158.5	117	25	52	16.5	15	60	35	28
IMG 160	Fe 58369619	85	50	158.5	117	25	52	16.5	15	60	35	28

### Application example

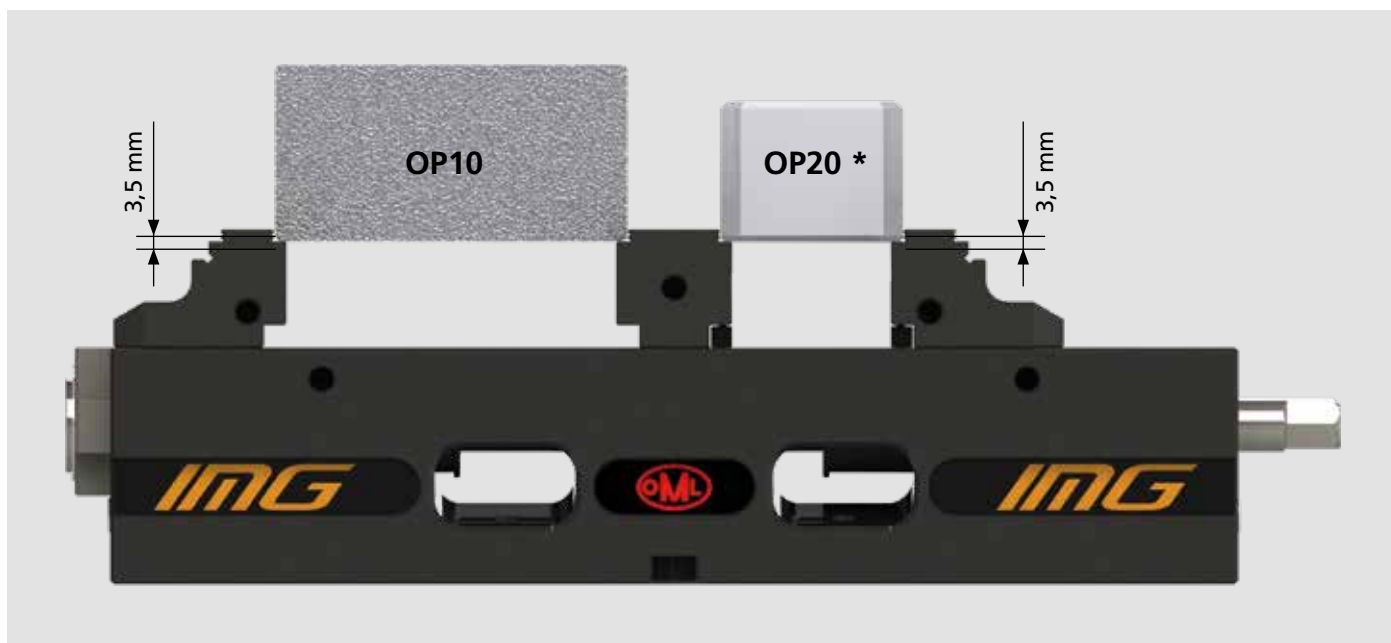


## OP10 - OP20 Kit double clamping



Type	Id. No.
IMG 88	58349719
IMG 125	58359719
IMG 160	58369719

## Application example



\* **OP20** with smooth jaws and parallels CLAK System.



### Applications / Customer Benefits

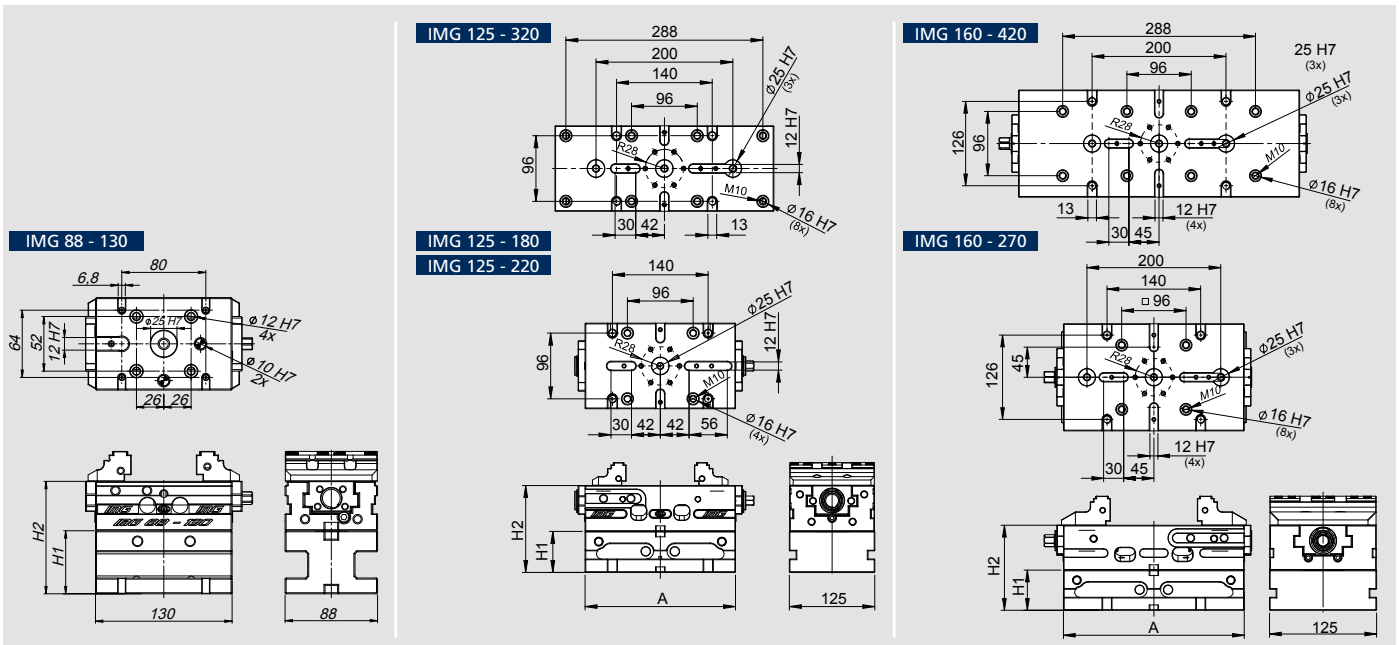
- Ideal for 5 axis machines
- Compact design
- Possibility to be mounted directly on machine tools with T slots
- Possibility to be mounted directly on single plate or DUO APS (pitch 200)

### Technical features

- Material: steel

### Standard equipment

On request: Positioning keys for IMG / APS pins / Positioning keys for machine tool

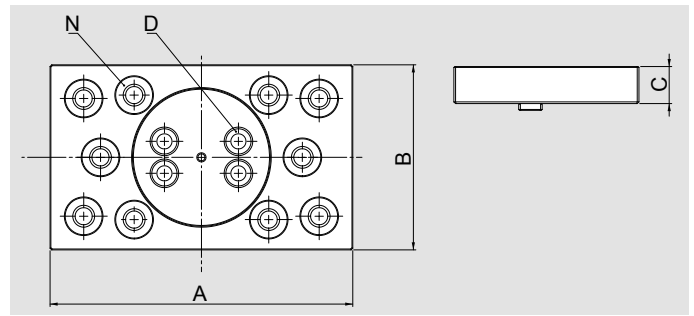
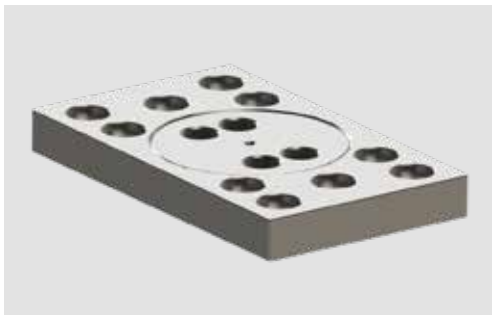


Type	Id. No.	H1	H2	A	Weight
For IMG 88 - 130	58342018	60	107	130	4 Kg
For IMG 88 - 130	58342028	100	207	130	6 Kg
For IMG 125 - 180	58352017	60	124	180	8 Kg
For IMG 125 - 180	58352027	100	147	180	12 Kg
For IMG 125 - 220	58352018	60	127	220	10 Kg
For IMG 125 - 220	58352028	100	167	220	15 Kg
For IMG 125 - 320	58352019	60	127	320	15 Kg
For IMG 125 - 320	58352029	100	167	320	21 Kg
For IMG 160 - 270	58362018	60	127	270	17 Kg
For IMG 160 - 270	58362028	100	167	270	25 Kg
For IMG 160 - 420	58362019	60	127	420	26 Kg
For IMG 160 - 420	58362029	100	167	420	38 Kg

### Application example

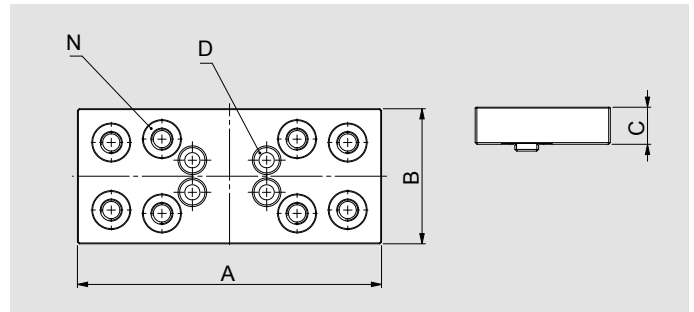
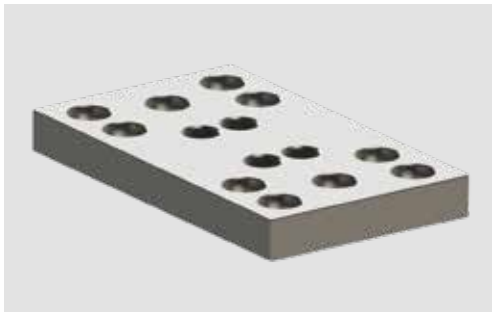


Floating jaw gripper



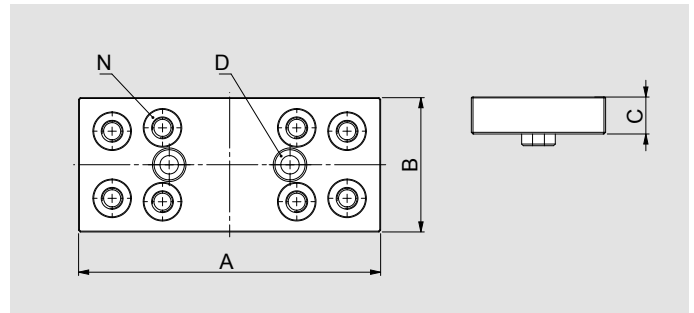
Type	Id. No.	A (mm)	B (mm)	D (mm)	N	C (mm)	Weight (Kg)
IMG / V5 125	58352520	180	110	M8	10	22	3,100
IMG 160	58362520	200	120	M10	10	22	2,700

Fixed/movable jaw gripper



Type	Id. No.	A (mm)	B (mm)	D (mm)	N	C (mm)	Weight (Kg)
IMG / V5 125	58352510	180	80	M10	8	22	2,300
IMG 160	58362510	200	90	M10	8	22	3,700

Fixed jaw for double clamping gripper



Type	Id. No.	A (mm)	B (mm)	D (mm)	N	C (mm)	Weight (Kg)
IMG / V5 125	58352530	180	80	M8	8	22	2,300
IMG 160	58362530	200	120	M10	10	22	2,900

Application example

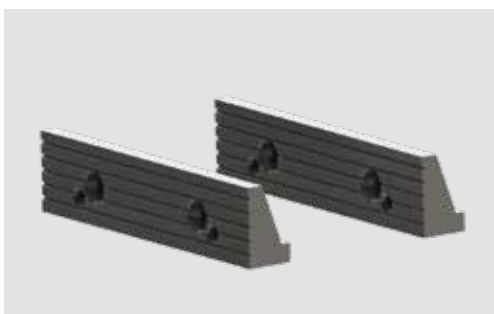


### Pair of supports with pull down jaws



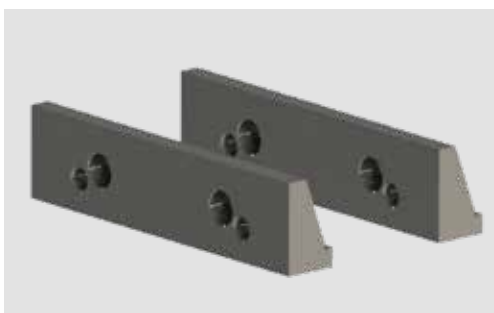
Type	Id. No.	Weight (Kg)
IMG / V5 125	58351419	4,100
IMG 160	58361419	8,300

### Pair of grooved jaws



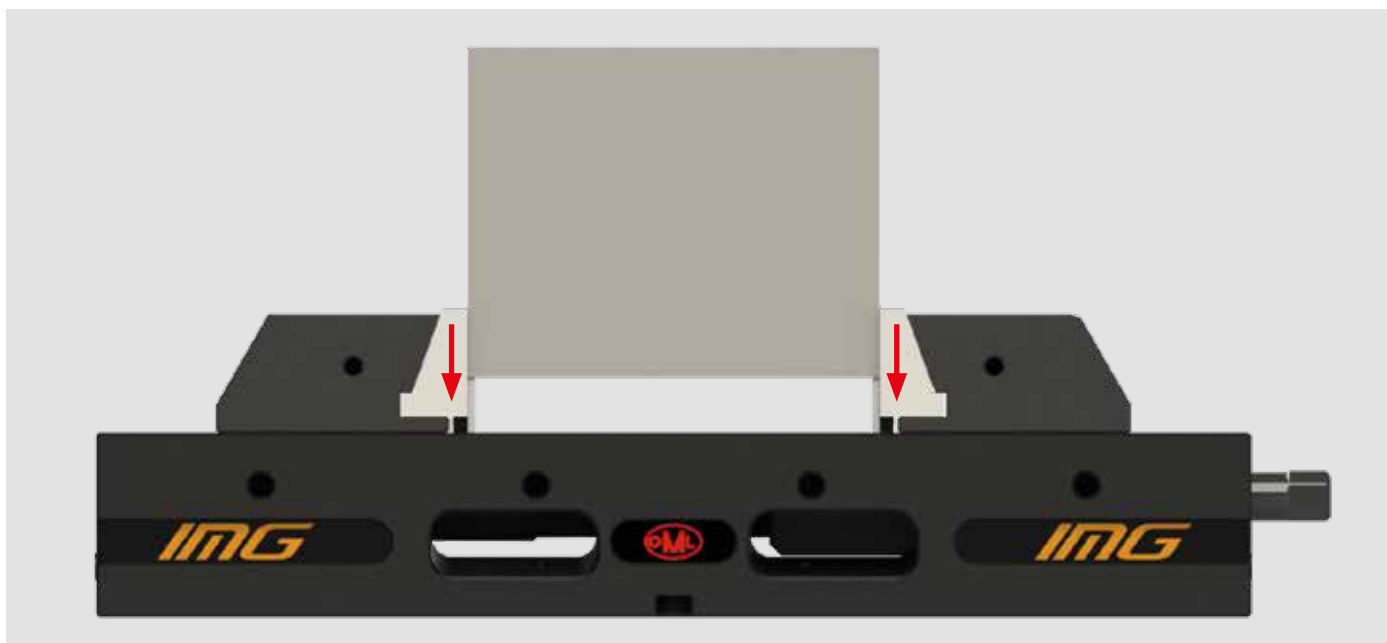
Type	Id. No.	Weight (Kg)
IMG / V5 125	58351425	0,600
IMG 160	58361425	1,400

### Pair of smooth jaws

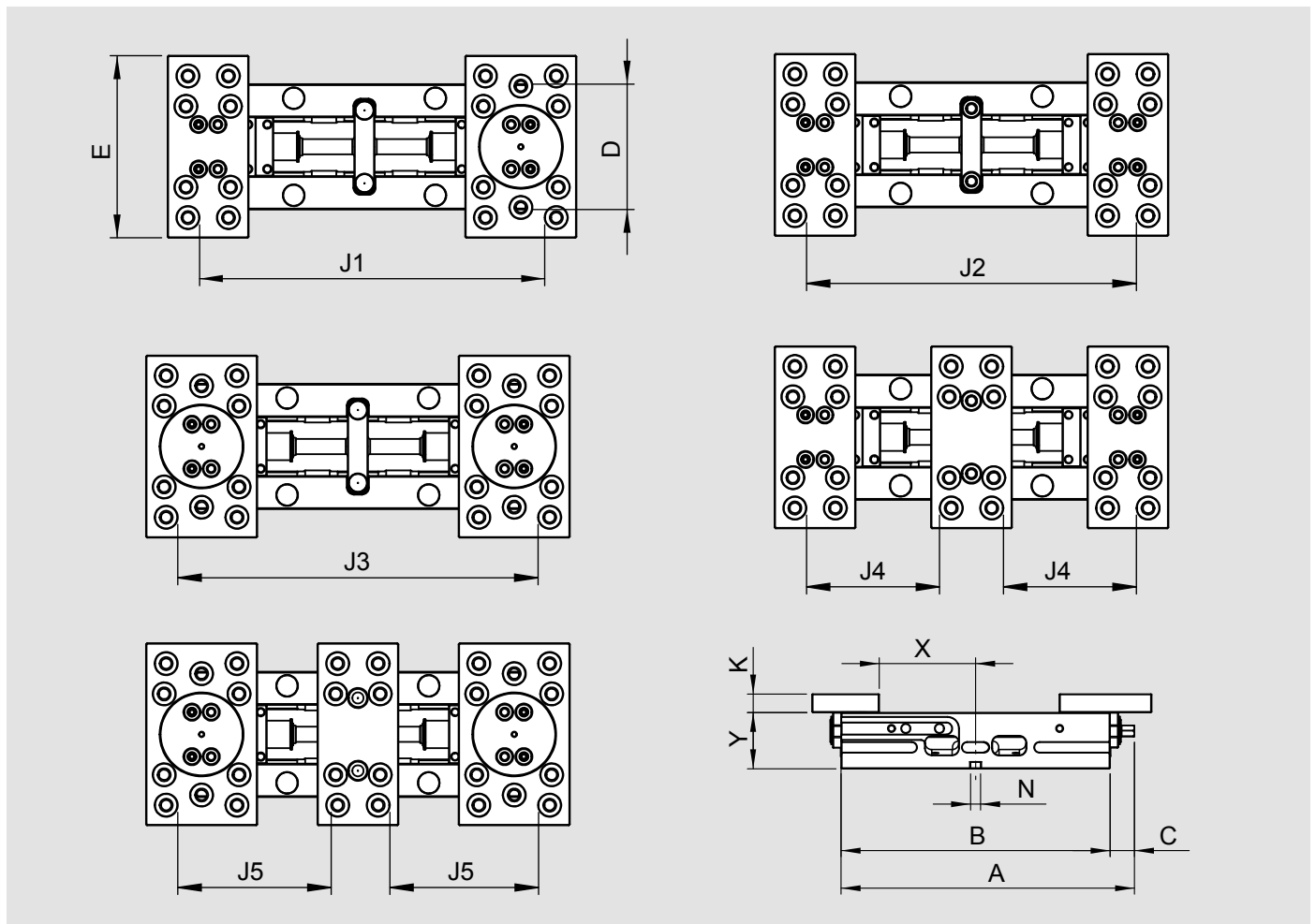


Type	Id. No.	Weight (Kg)
IMG / V5 125	58351415	0,600
IMG 160	58361415	1,450

### Application example

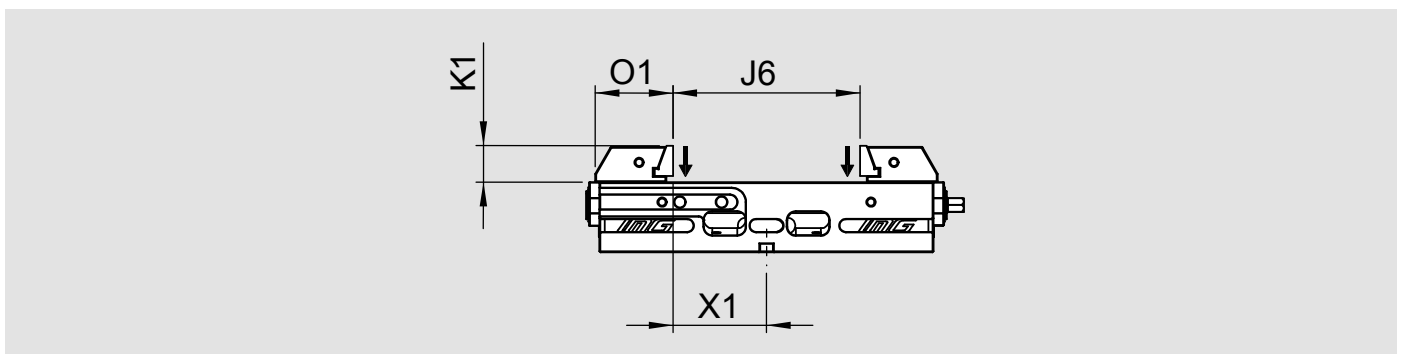


Floating jaws dimensions



	A	B	C	D	E	K	N	X	Y	J1	J2	J3	J4	J5
IMG 125-220	247	220	27	124	180	22	12	54	67	215	200	230	65,5	X
IMG 125-320	349	320	29	124	180	22	12	115	67	335	349	350	125,5	140,5
IMG 160-270	299	270	29	159	200	22	12	59,5	67	290	290	290	105,5	105,5
IMG 160-420	449	420	29	160	200	22	12	150	67	448	448	448	184,5	184,5

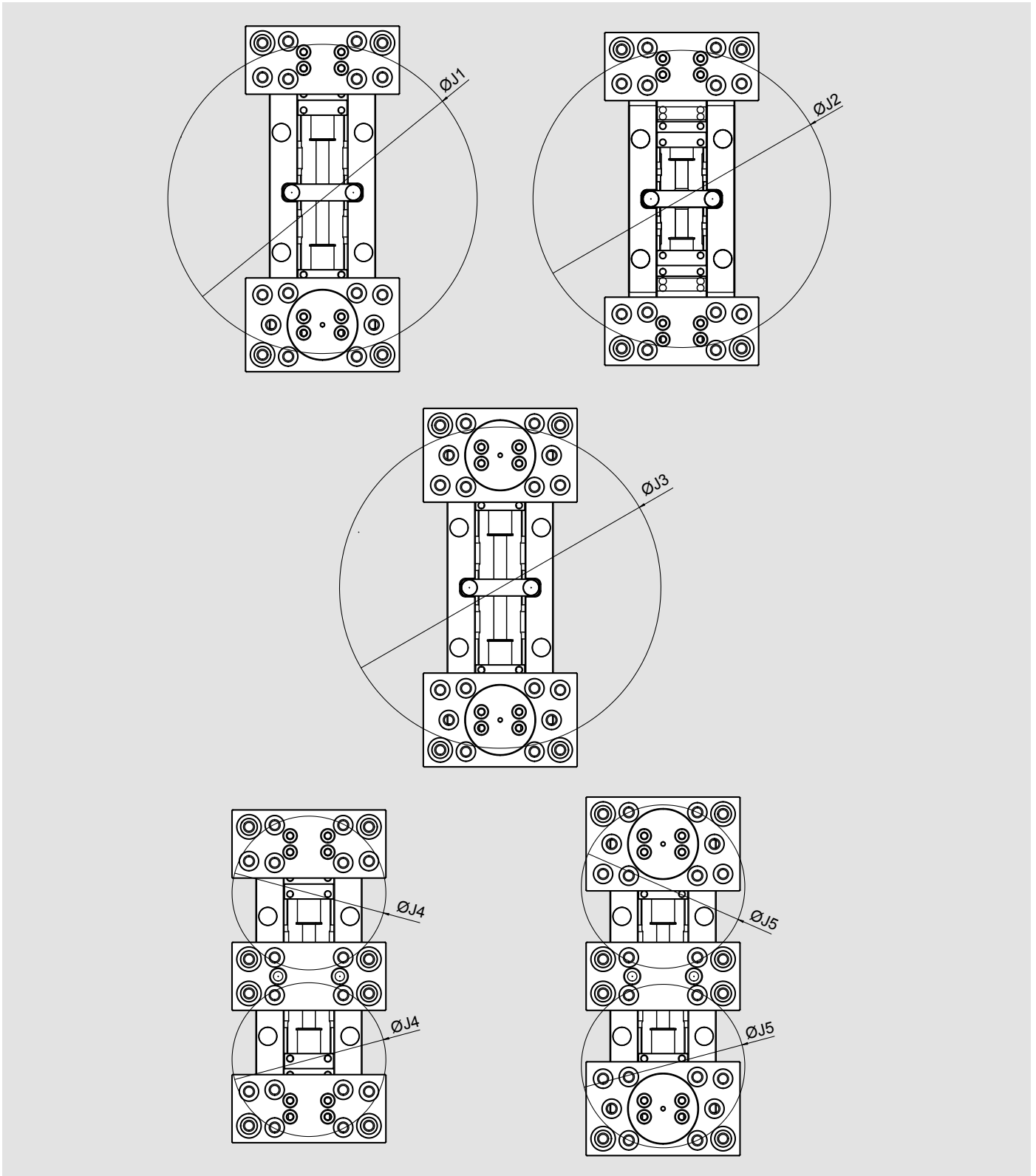
Pull down jaws dimensions



	K1	O1	X1	J6
IMG 125-220	35	74,4	59,5	119
IMG 125-320	35	74,4	119,5	239
IMG 160-270	45	91,5	76	152
IMG 160-420	45	91,5	155	310



**Maximum diameters of floating jaws**

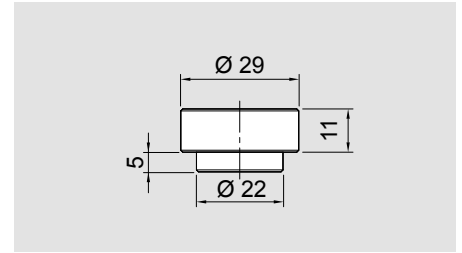


	<b>Ø J1</b>	<b>Ø J2</b>	<b>Ø J3</b>	<b>Ø J4</b>	<b>Ø J5</b>
IMG 125-220	252	239	265	122	X
IMG 125-320	360	347	375	179	190
IMG 160-270	327	327	327	180	180
IMG 160-420	441	441	441	224	224

Set of 4 grippers h11 smooth



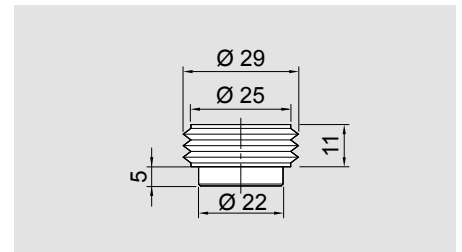
**Id. No.**  
58906114



Set of 4 grippers h11 serrated



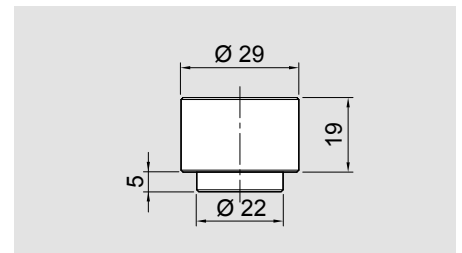
**Id. No.**  
58906124



Set of 4 grippers h19 smooth



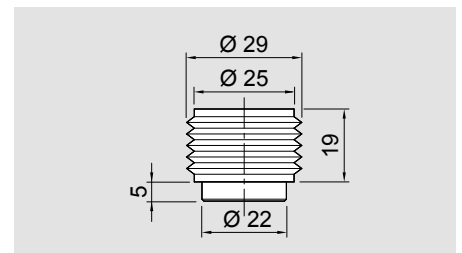
**Id. No.**  
58906214



Set of 4 grippers h19 serrated



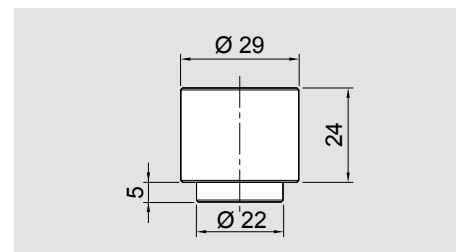
**Id. No.**  
58906224



Set of 4 grippers h24 smooth



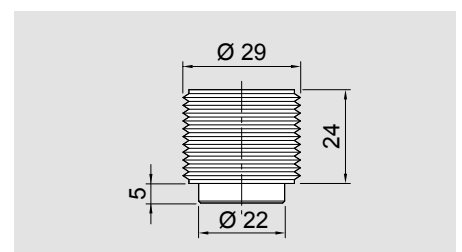
**Id. No.**  
58906314



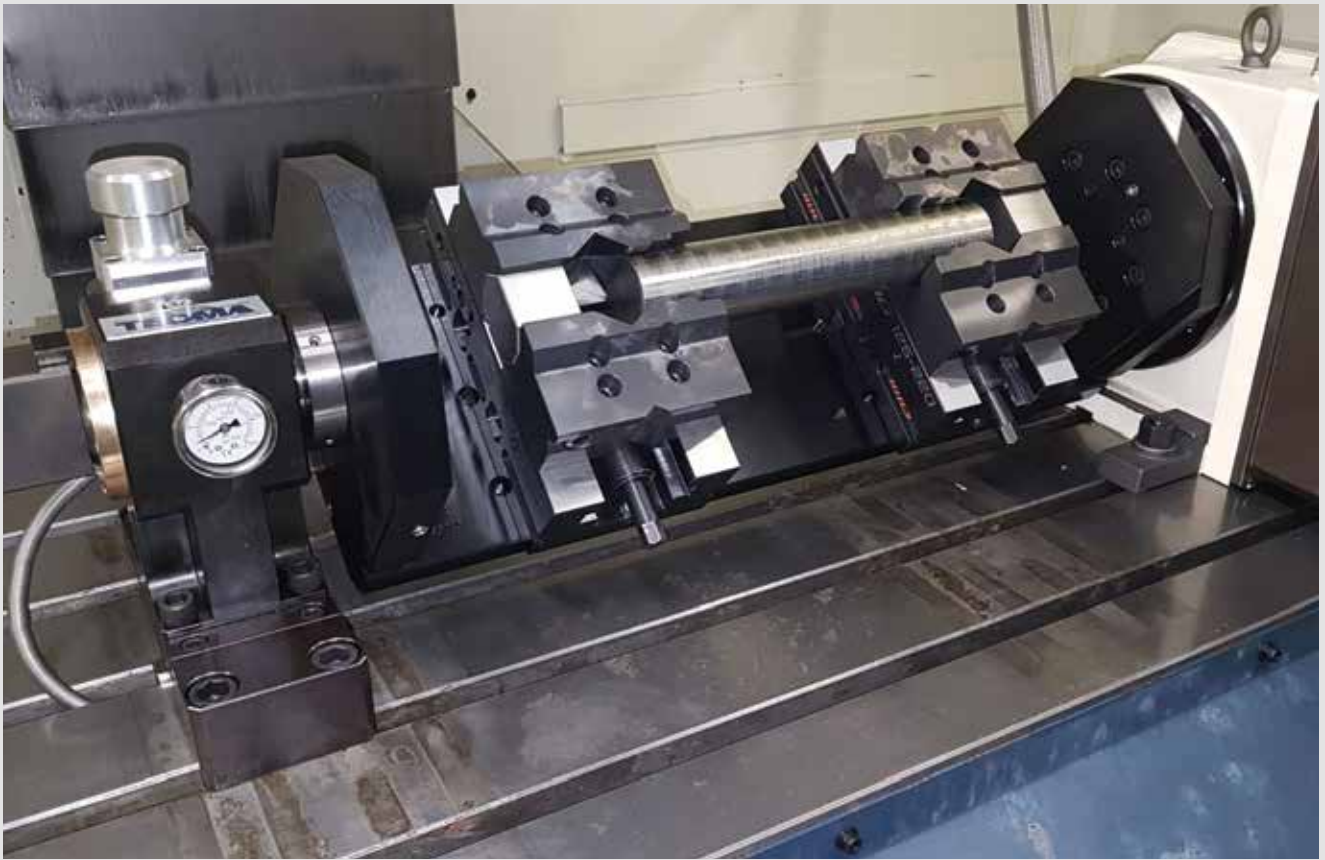
Set of 4 grippers h24 serrated



**Id. No.**  
58906324



## Working examples





**Applications / Customer Benefits**

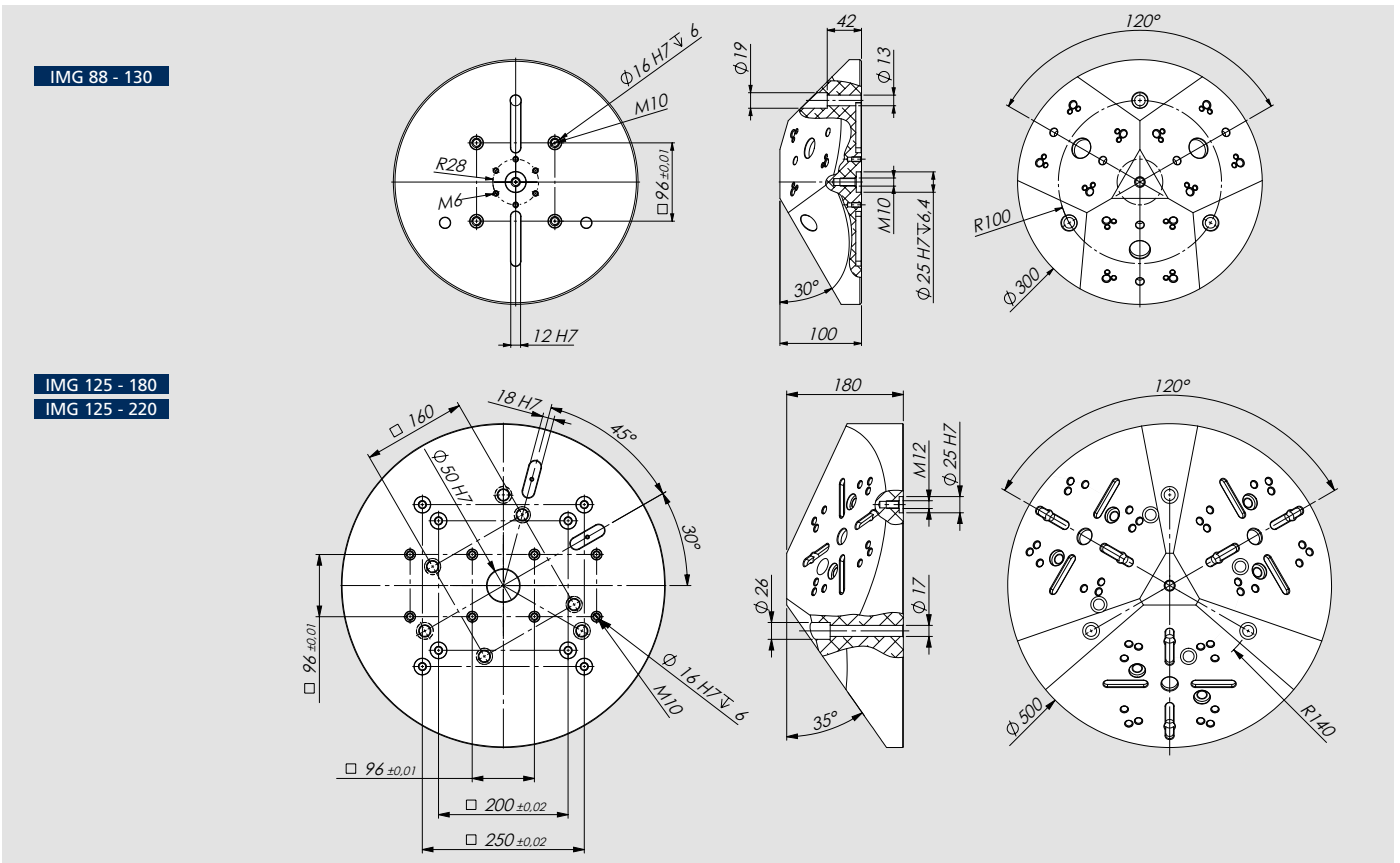
- Ideal for 5 axis machines
- Compact design
- Possibility to be mounted directly on machine tools with radial slots at 45 / 60 degrees
- Possibility to be mounted directly on single plate or DUO APS (pitch 200/250mm) and Plus 5

**Technical features**

- Material: ALU

**Standard equipment**

Positioning keys and screws for IMG  
 Pins and screws for Plus 5



Type	Id. No.	Weight
Alu Pyramid for IMG 88-130	58343210	12 Kg
Alu Pyramid for IMG 125-180 and IMG 125-220	58353210	55 Kg

**Application example**





### Applications / Customer Benefits

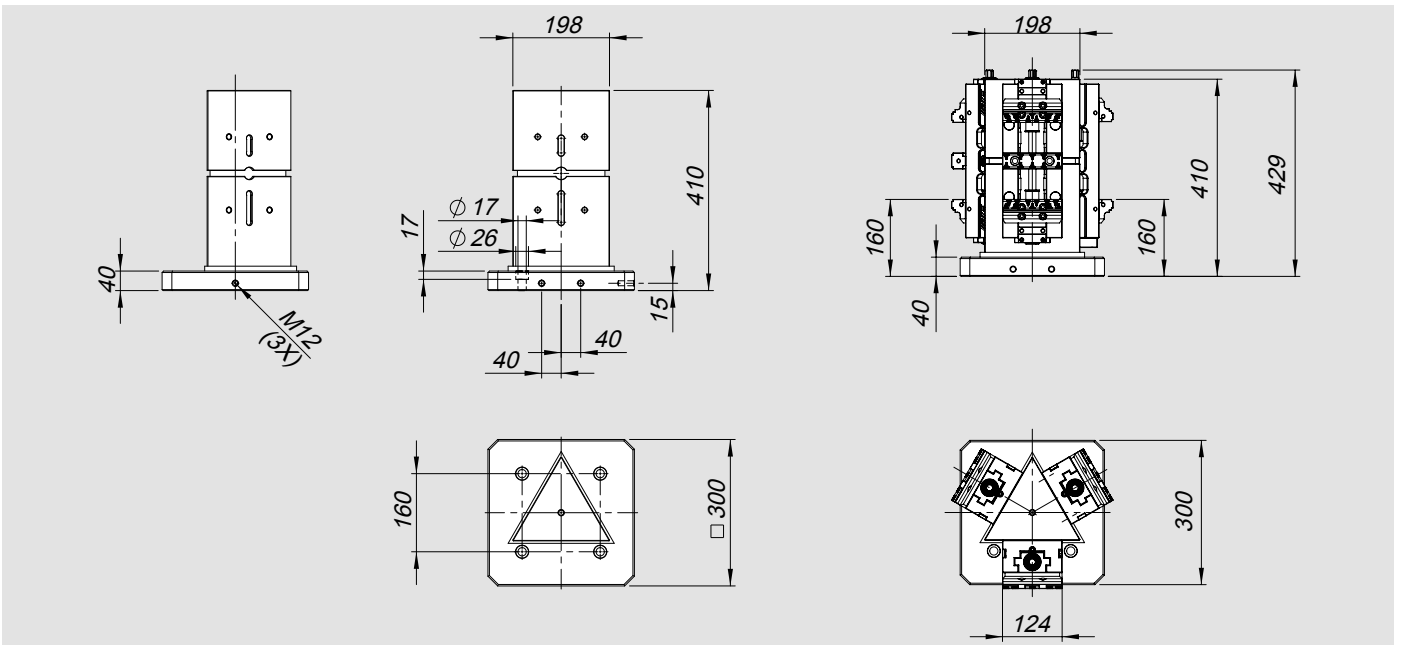
- Ideal for 5 axis machines
- Ideal for horizontal machines
- Compact design
- Wide clamping range

### Technical features

- Material: steel

### Standard equipment

Steel tombstone



Type	Id. No.	Weight
Triangular tombstone for IMG 125-320	58353010	74 Kg

### Application example







**Applications / Customer Benefits**

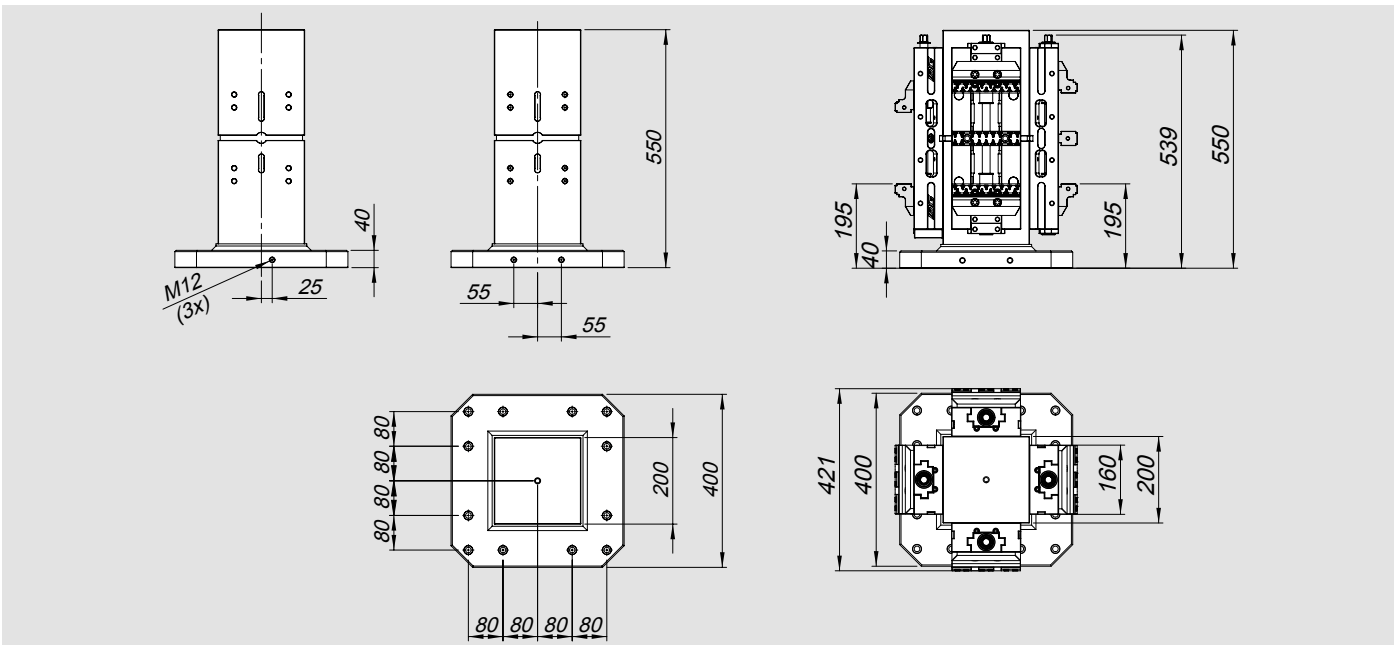
- Ideal for horizontal machines
- Compact design
- Wide clamping range

**Technical features**

- Material: steel

**Standard equipment**

Steel tombstone



Type	Id. No.	Weight
Tombstone for IMG 160-420	58363120	140 Kg

Application example



### Clamping pins APS 140



**Typo A**  
centering pin



**Typo B**  
reference pin

#### Application/customer benefits

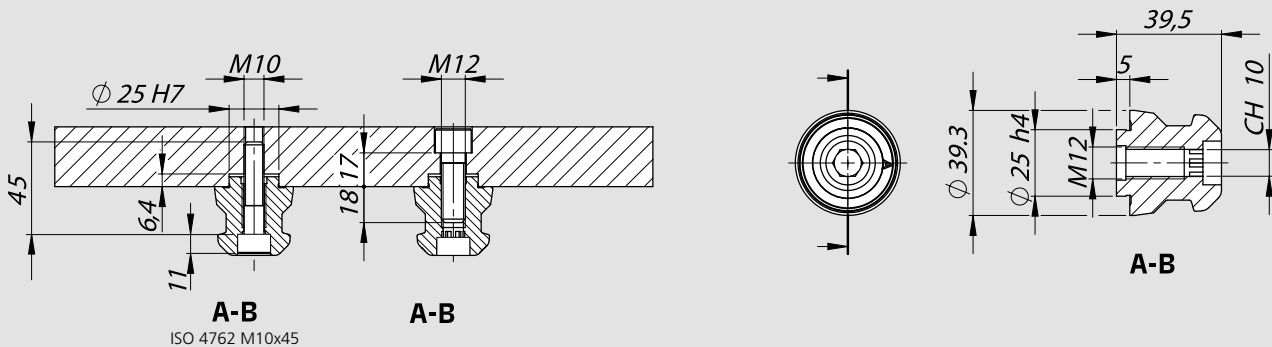
- Fixation and positioning on the clamping systems APS 140
- Wear-resistant due to an extra hard protective coating
- Large entry radii of the clamping pins for easy and safe loading

#### Technical features

- Centering pin Type A (Standard)
- Sword pin Type B (Positioning pin)

#### Standard equipment

Clamping pin with mounting screw M10x45



	Thread	Type A	Type B	Weight
Clamping pins APS 140	M12	46162355	46162356	0.3 Kg

### Clamping pins APS 190



#### Application/customer benefits

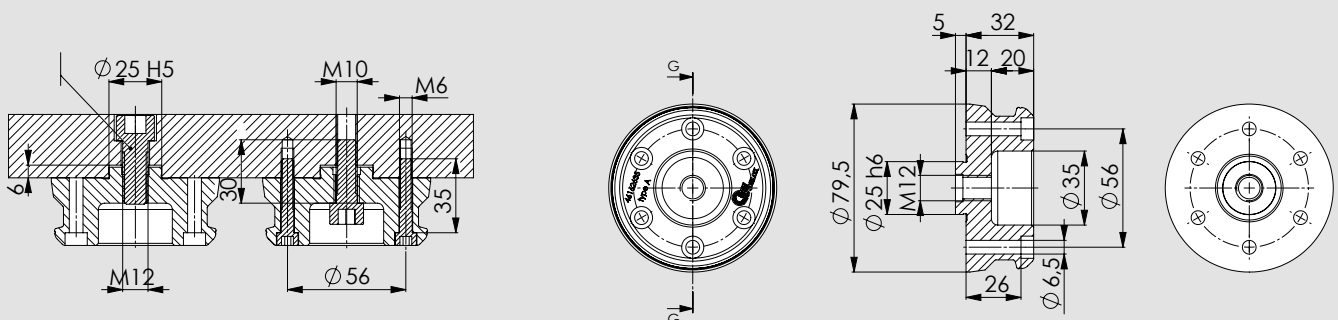
- Fixation and positioning on the clamping systems APS 190
- Large entry radii of the clamping pins for easy and safe loading

#### Technical features

- Centering pin Type A (Standard)

#### Standard equipment

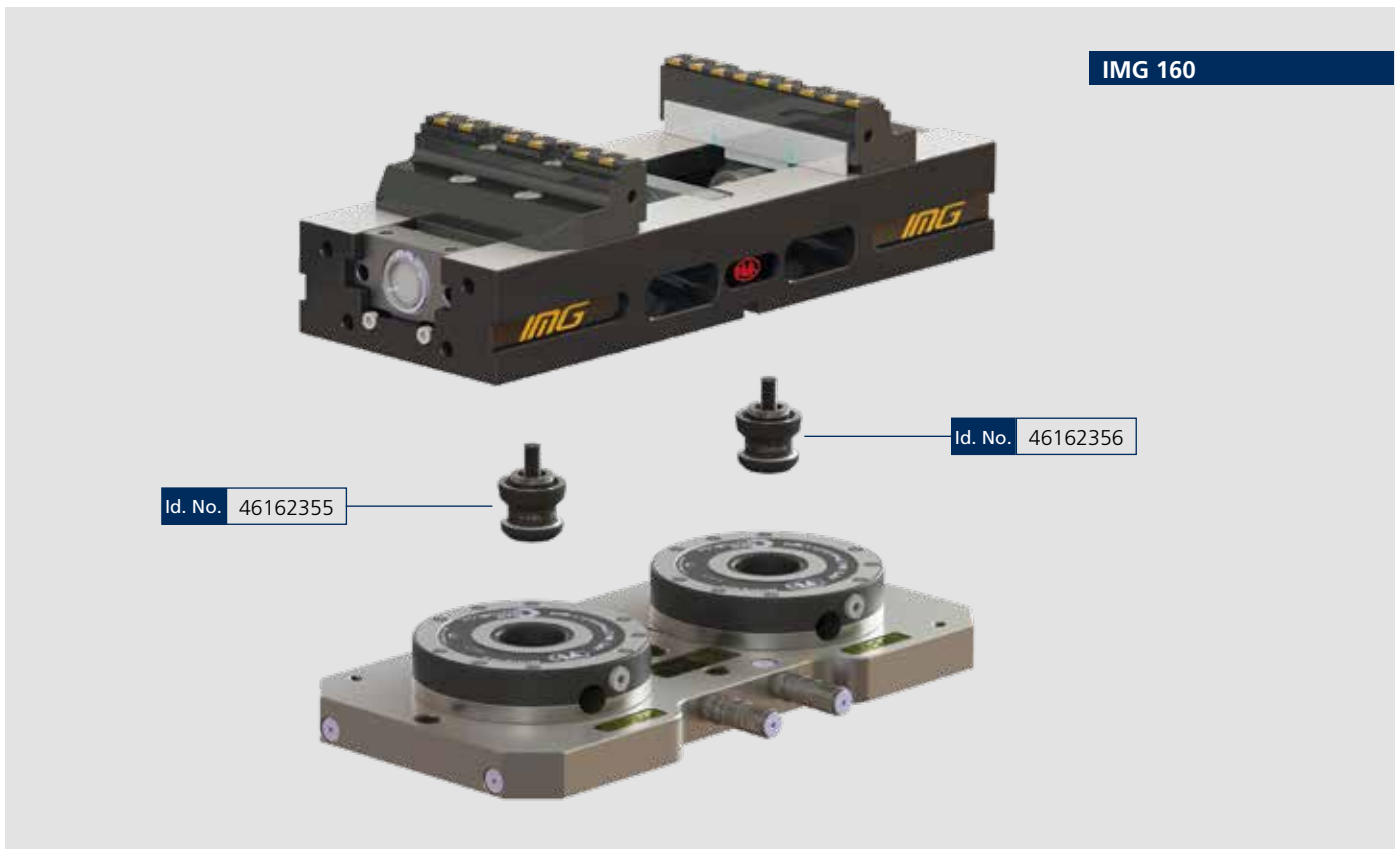
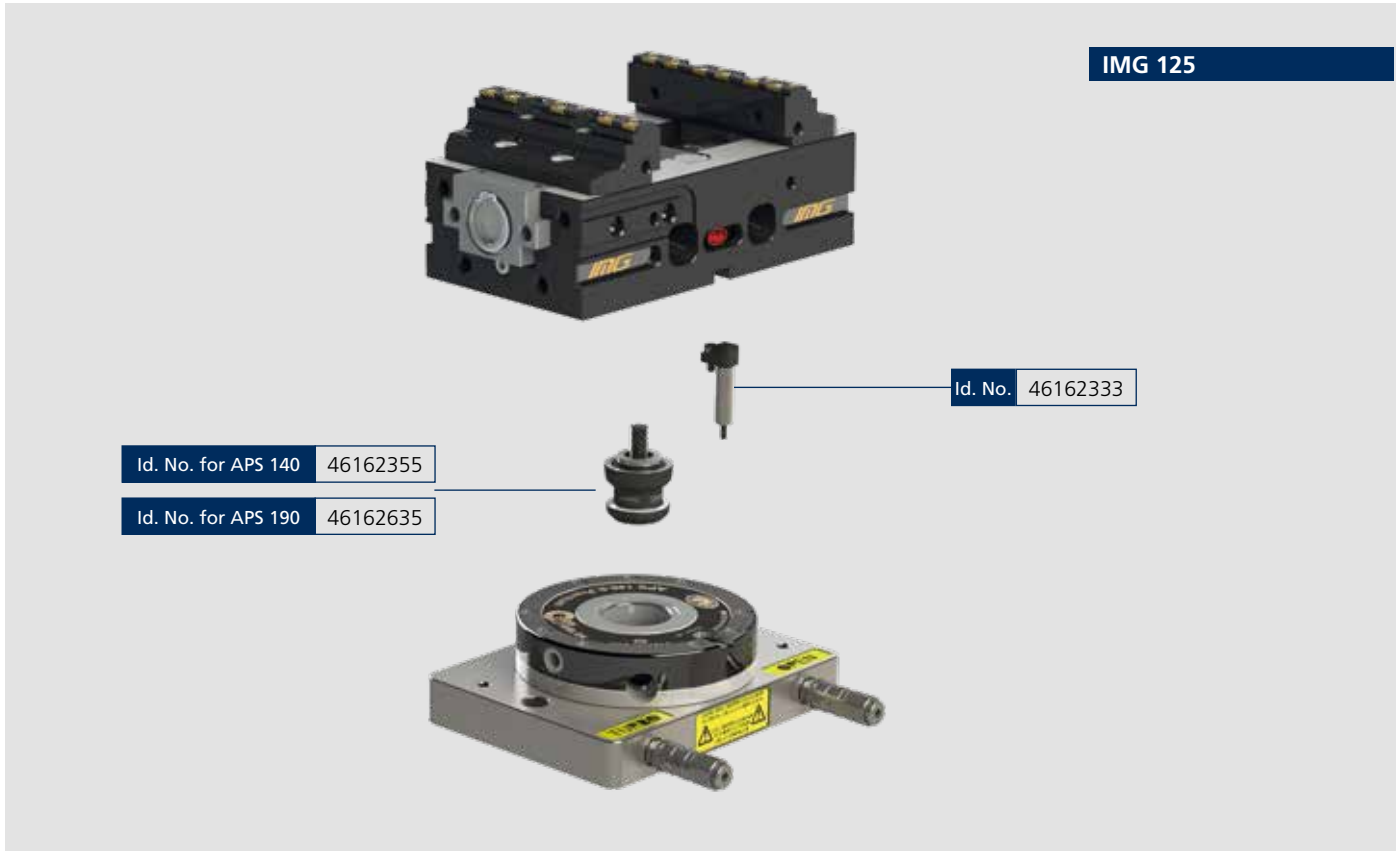
Clamping pin with mounting screw M8x40 (6 pieces)



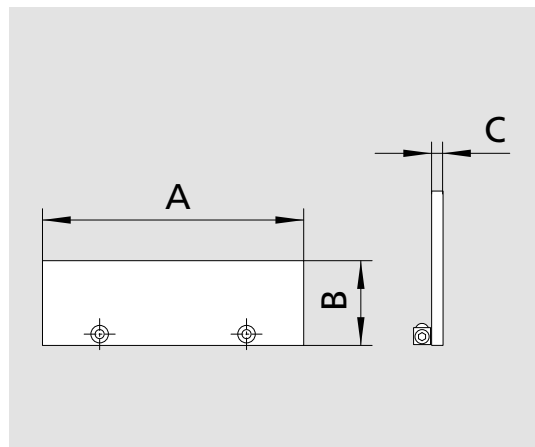
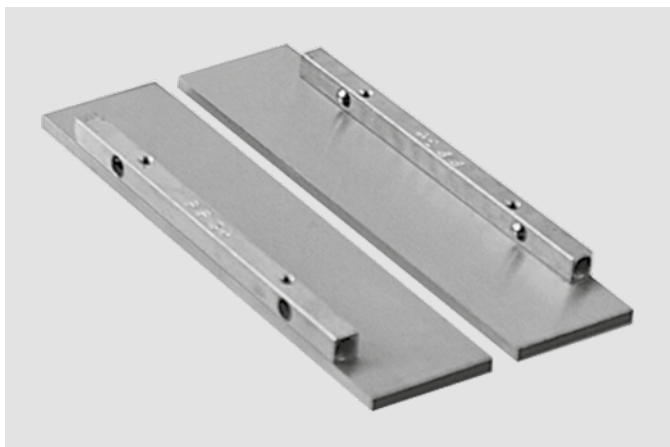
Id. No.	Type	Weight
46 16 26 35	A	0,85Kg



Application examples



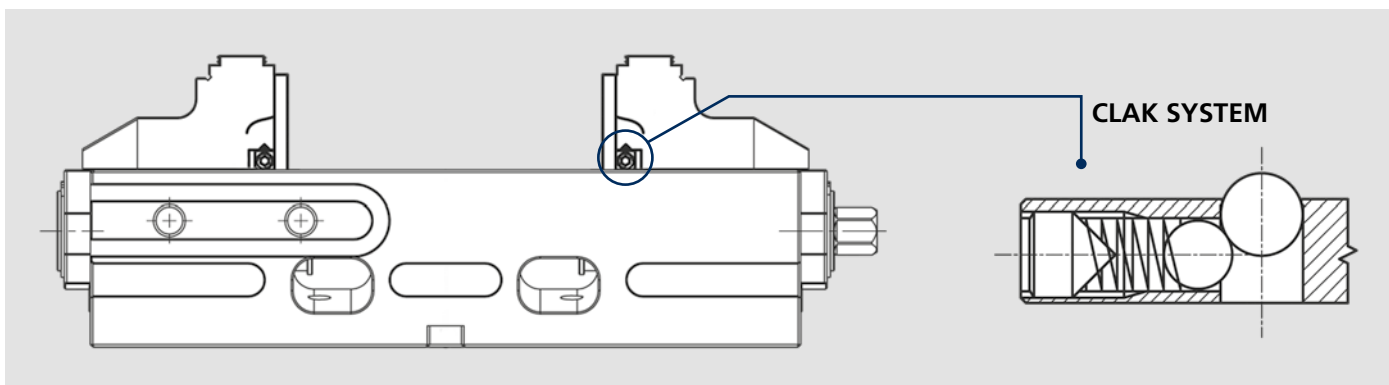
### Quick change modular parallels



Type	Id. No.	B	A	C
For IMG / V5 88	58343510	10	87	4
For IMG / V5 88	58343515	15	87	4
For IMG / V5 88	58343520	20	87	4
For IMG / V5 88	58343525	25	87	4

Type	Id. No.	B	A	C
For IMG / V5 125	58455115	15	124	4
For IMG / V5 125	58455120	20	124	4
For IMG / V5 125	58455125	25	124	4
For IMG / V5 125	58455130	30	124	4
For IMG 160	58455315	15	159	4
For IMG 160	58455325	25	159	4
For IMG 160	58455335	35	159	4
For IMG 160	58455340	40	159	4

### Application example



### Torque Wrench



Type	Id. No.
IMG 88	51501026
IMG 125	51501021
IMG 160	51501022

### Workstop



Type	Id. No.
IMG 88	58415030
IMG 125-160	58315020

Key for APS for single use (APS side)



Type	Id. No.
APS 140 / 190	46162333

Pair of positioning keys for T Slot

Only for IMG 125-160



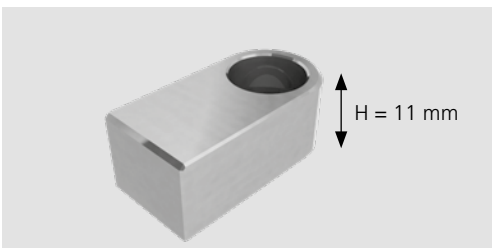
IMG / V5 125 - IMG 160	mm 12 - h6
mm 12 - h6	58351392
mm 14 - h6	58351393
mm 16 - h6	58351394
mm 18 - h6	58351395
mm 20 - h6	58351396
mm 22 - h6	58351397



Only for IMG 88-130

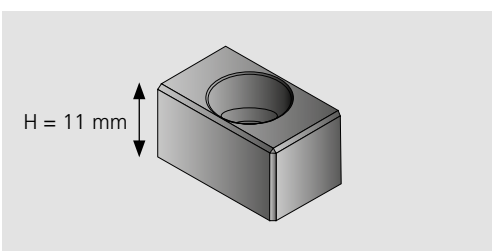
IMG / V5 88 - IMG 130	A	B	H	D
58341393	12	14	17	10
58341395	16	18	17	10

Key for single use on APS 140 for IMG 88-125 (vice body side)



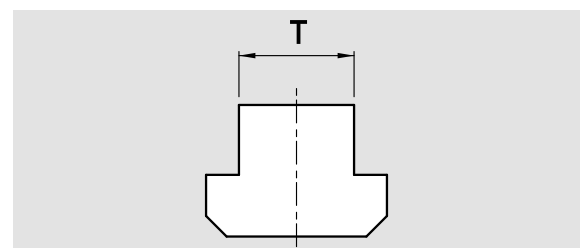
Type	Id. No.
IMG 88	58351312
IMG 125	

Key for single use on APS 160 for IMG 160 (vice body side)



Type	Id. No.
IMG 160	58361312

Pair of Clamps



Type	mm 12	mm 14	mm 16	mm 18	mm 20	mm 22
IMG 88	58012792	58012793	58012794	58012795	58012796	58012797
IMG 125 / 160	58022792	58022793	58022794	58022795	58022796	58022797

**SinterGrip**

	Id. No.	Description
	58 45 01 19	Set of 10 SinterGrip inserts <b>STD</b> for steel
	58 45 01 29	set of 10 SinterGrip inserts <b>HRC</b> for hardened steel / titanium until 50-54 HRC
	58 45 01 39	Set of 10 SinterGrip inserts for <b>ALU</b>
	58 45 02 19	Kit 10VTX30 for inserts SINTERGRIP
	58 45 05 19	Kit 10 protection inserts in aluminum



*Find out more*



## Pair of SINTERGRIP jaws



Type	Id. No.
IMG / V5 88	58341219
IMG / V5 125	58351219
IMG 160	58361219

Pair of BASIC jaws  
(for materials up to 30 HRC)

Type	Id. No.
IMG / V5 88	58341259
IMG / V5 125	58351259
IMG 160	58361259

## Wrench



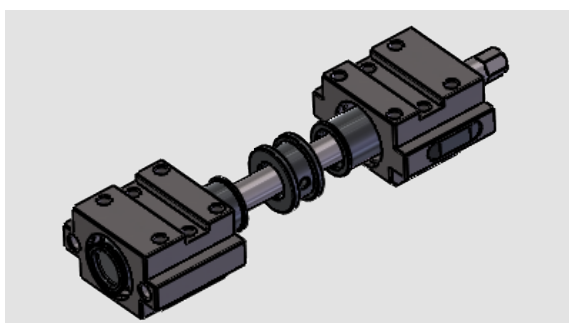
Type	Id. No.
IMG 125	58351910
IMG 160	58361910

## Wrench



Type	Id. No.
IMG 88	58341910

## Spindel group



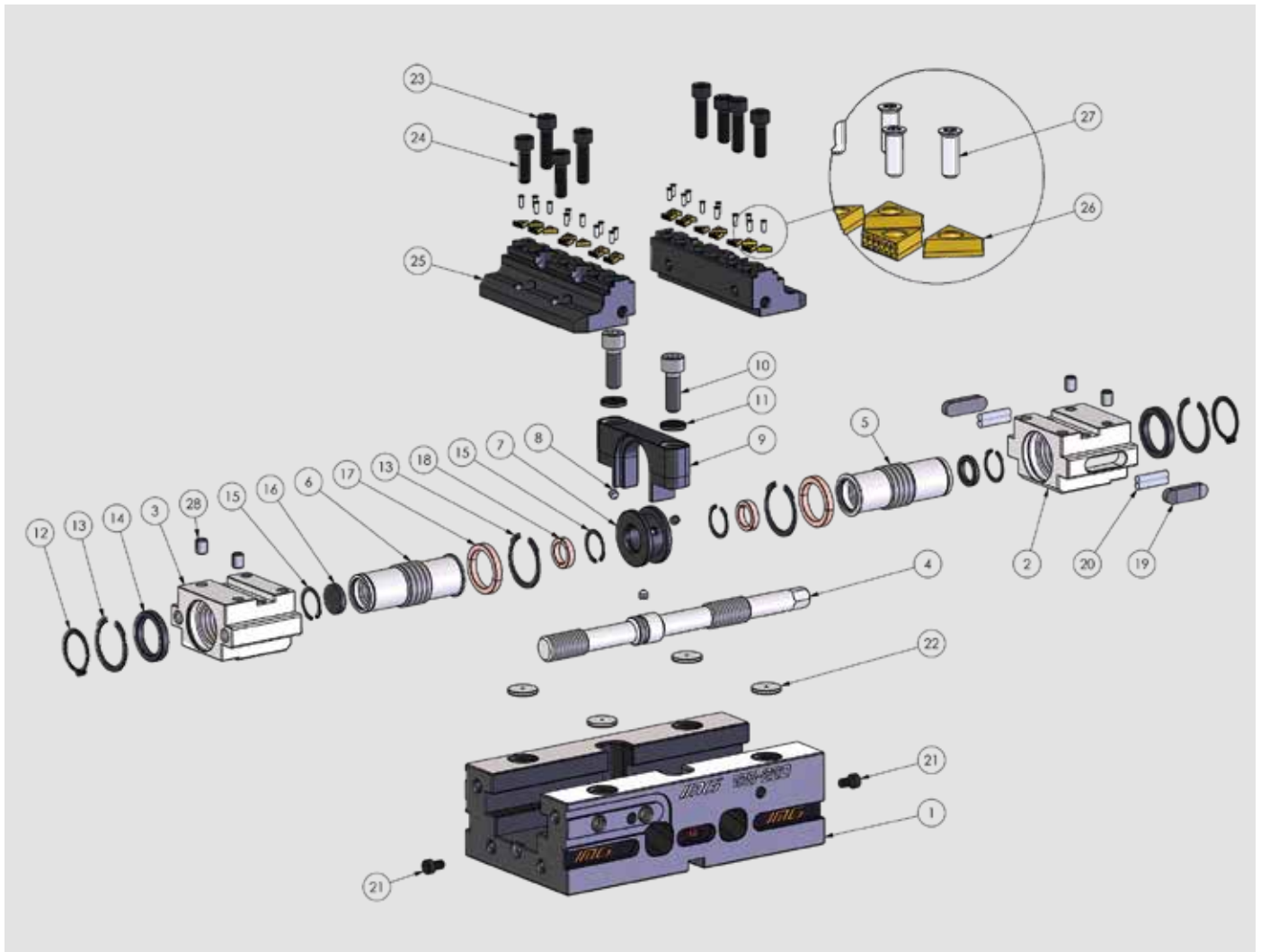
Type	Id. No.
IMG 88-130	58349010
IMG 125-180	58359030
IMG 125-220	58359010
IMG 125-320	58359020
IMG 160-270	58369010
IMG 160-420	58369020

## Magnetic extractor for IMG protection plug



Id. No.	
	71290755

### Exploded



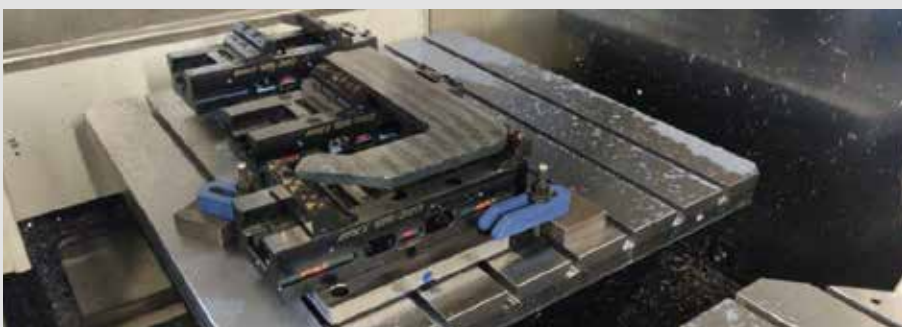
	Description
1	IMG BASE
2	LEFT SLIDE WAY
3	RIGHT SLIDE WAY
4	OPERATING SCREW
5	LEFT BUSHING
6	RIGHT BUSHING
7	SCREW STOP
8	SCREW
9	UPPER SUPPORT
10	SCREW

	Description
11	ALU PLUG FOR M10
12	SEEGER RING
13	SEEGER RING
14	O - RING
15	SEEGER RING
16	PLUG
17	BRONZE RING
18	SNAP RING
19	STOP KEY
20	RUBBER KEY

	Description
21	SCREW
22	ALU PLUG FOR M12
23	SCREW
24	SCREW
25	SINTERGRIP JAW
26	SINTERGRIP INSERTS
27	SCREW FOR SINTERGRIP
28	GRUB SCREW



Working examples





# V5

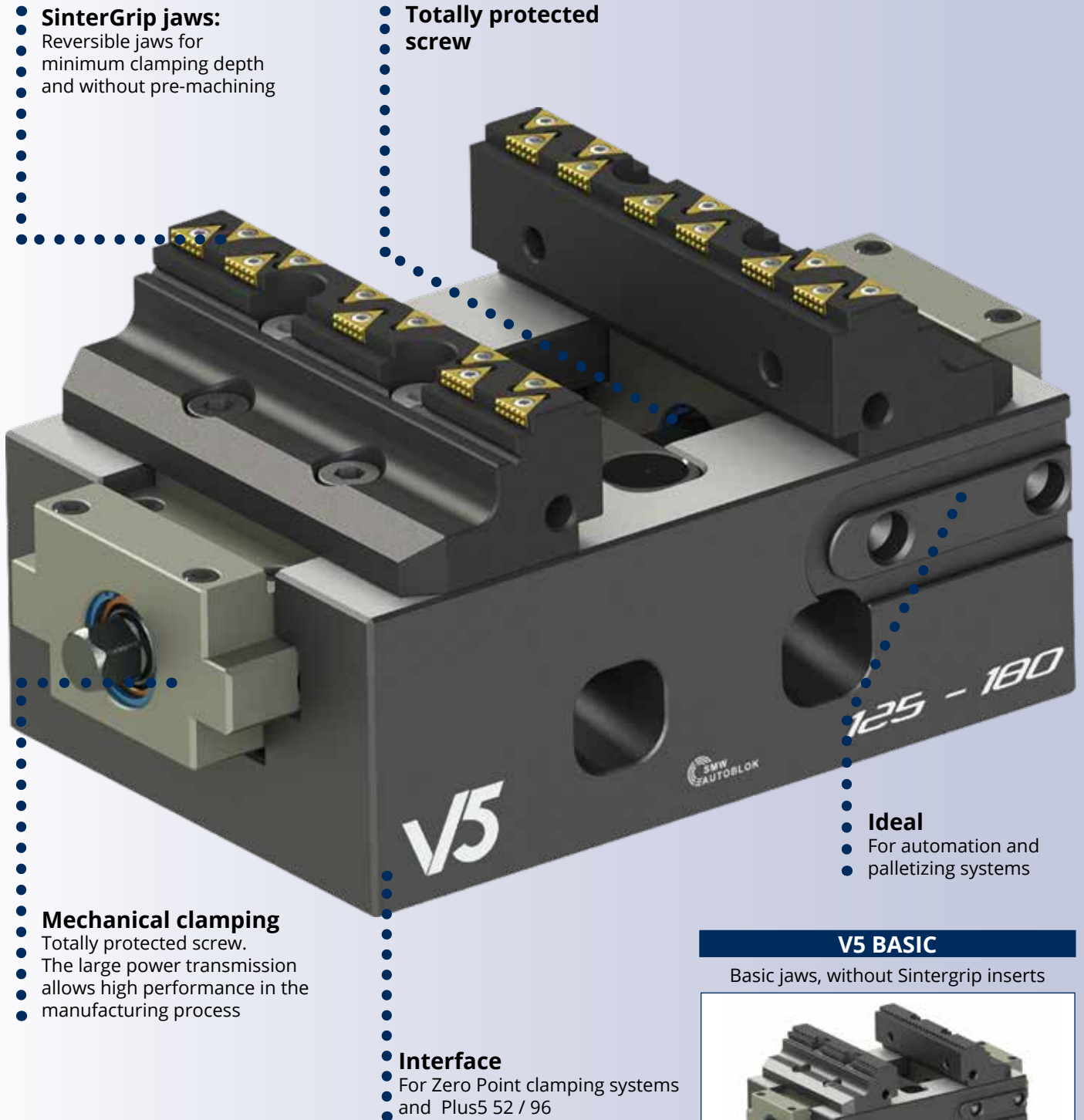


Self-centering vice for 5-axis machines



# V5

## Self-centering vice for 5-axis machines



**SinterGrip jaws:**  
Reversible jaws for minimum clamping depth and without pre-machining

**Totally protected screw**

**Mechanical clamping**  
Totally protected screw.  
The large power transmission allows high performance in the manufacturing process

**Interface**  
For Zero Point clamping systems and Plus5 52 / 96

**Ideal**  
For automation and palletizing systems

### V5 BASIC

Basic jaws, without Sintergrip inserts



■ Patented protected screw



### Applications / Customer Benefits

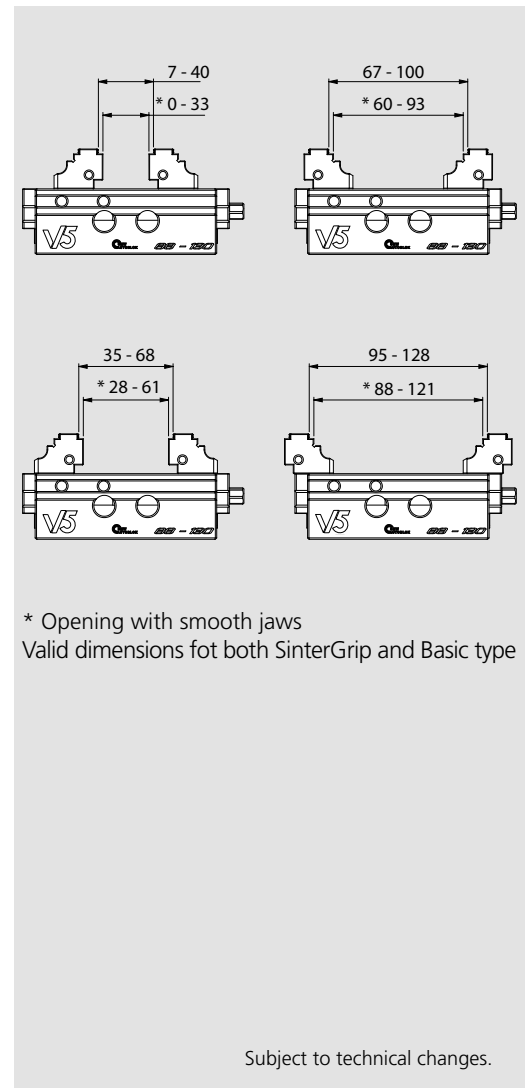
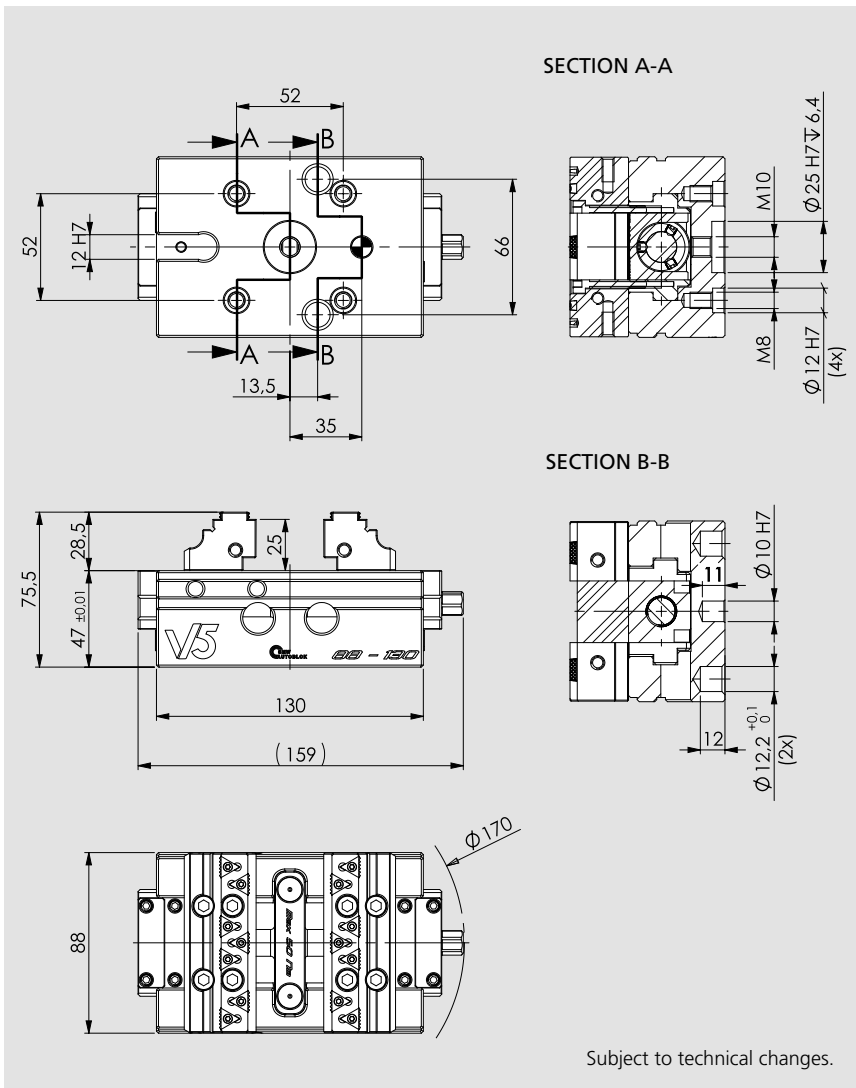
- Highly precise **only** self-centering clamping with maximum repeatability
- Totally protected
- Compact design for better accessibility and very large drainage slots
- Jaws with SinterGrip clamping inserts for minimum workpiece clamping depth without pre-machining
- Wide clamping range
- Ideal for OP 10 and OP 20

### Technical features

- Self-centering clamping
- Clamping force up to 32 kN (50 Nm)
- Jaw width 87,5 mm
- Interface for Zero Point system APS / TDM and Plus5 52
- **The jaws for V5 88 are compatible with IMG 88. See pages 46/49**

### Standard equipment

Wrench, jaws, nr. 10 Sintergrip inserts.



Type	Id. No.	Weight
V5 88 - 130 with SinterGrip jaws <b>STD</b>	77583303	4,5 Kg
V5 88 - 130 with SinterGrip jaws <b>HRC</b>	77583304	4,5 Kg
V5 88 - 130 with SinterGrip jaws <b>ALU</b>	77583305	4,5 Kg
V5 88 - 130 <b>Basic</b>	77583302	4,5 Kg
V5 88 - 130 body only	77583301	3,5 Kg

■ Patented protected screw



**Applications / Customer Benefits**

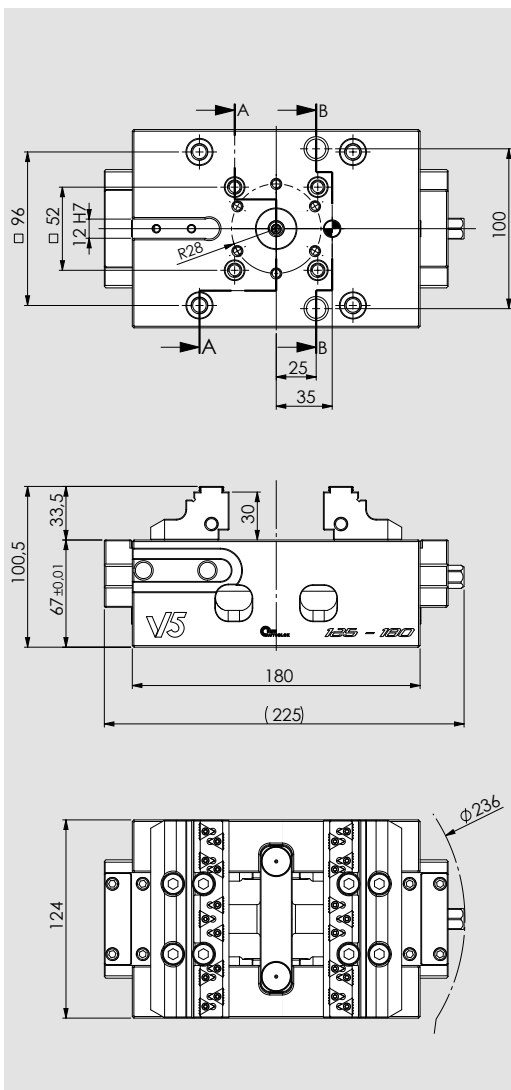
- Highly precise **only** self-centering clamping with maximum repeatability
- Totally protected
- Compact design for better accessibility and very large drainage slots
- Jaws with SinterGrip clamping inserts for minimum workpiece clamping depth without pre-machining
- Wide clamping range
- Ideal for OP 10 and OP 20

**Technical features**

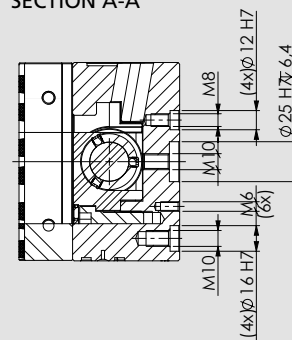
- Self-centering clamping
- Clamping force up to 40 kN (80 Nm)
- Jaw width 125 mm
- Interface for Zero Point system APS / TDM and Plus 5 52 - 96
- **The jaws for V5 125 are compatible with IMG 125. See pages 50/55**

**Standard equipment**

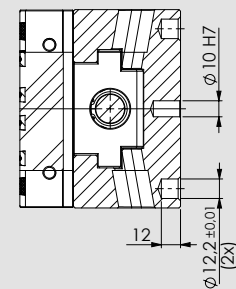
Wrench, jaws, nr. 10 Sintergrip inserts.



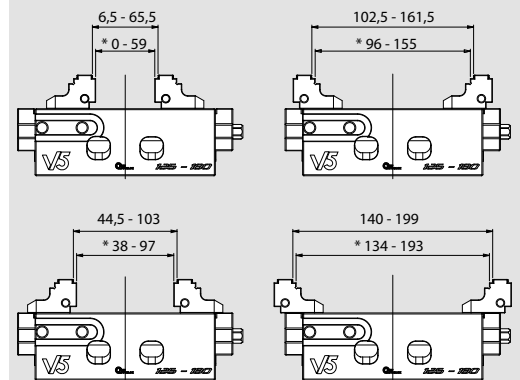
SECTION A-A



SECTION B-B



Subject to technical changes.



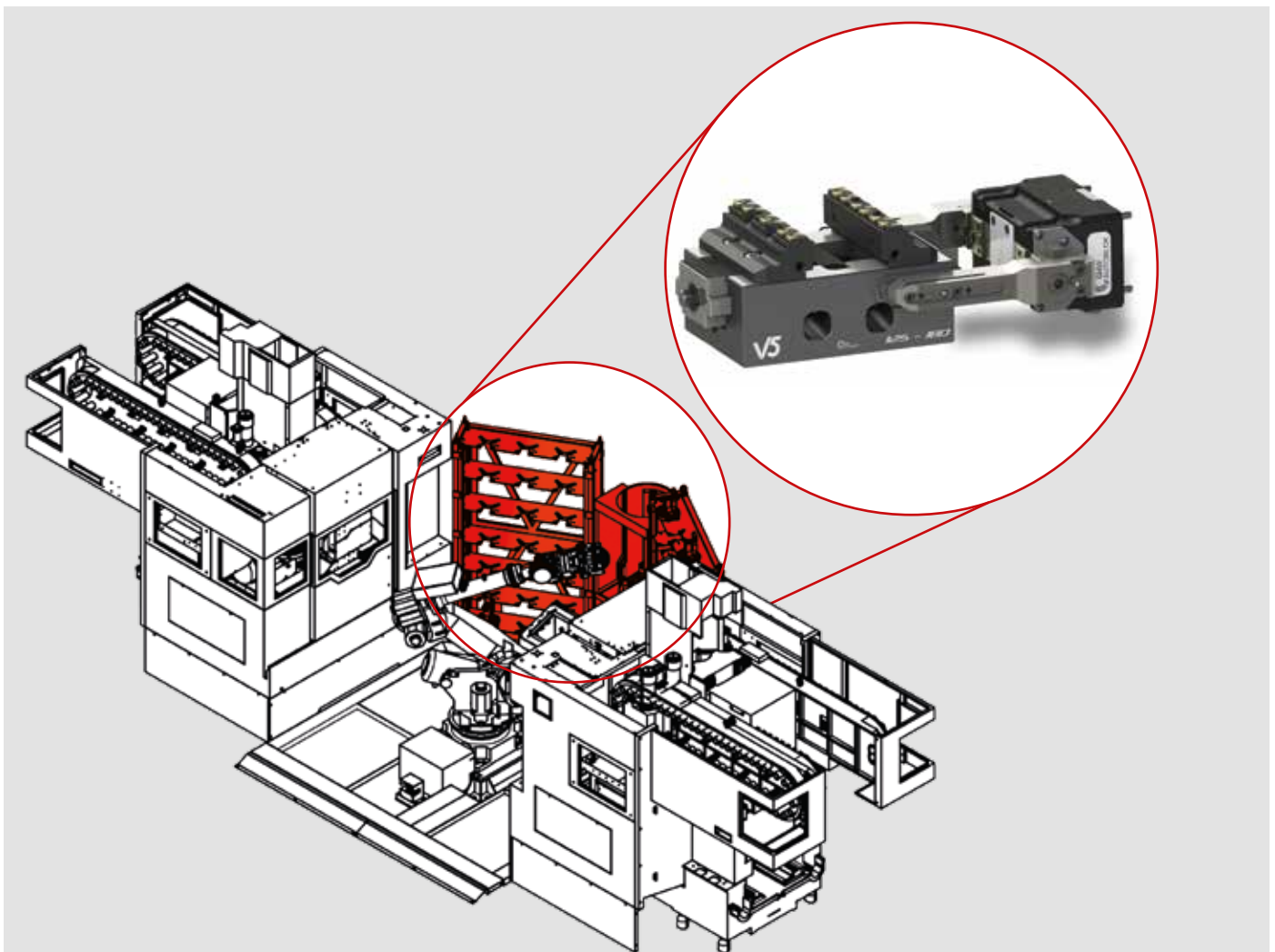
\* Opening with smooth jaws  
Valid dimensions for both SinterGrip and Basic type

Subject to technical changes.

Type	Id. No.	Weight
V5 125 - 180 with SinterGrip jaws <b>STD</b>	77583333	7,5 Kg
V5 125 - 180 with SinterGrip jaws <b>HRC</b>	77583334	7,5 Kg
V5 125 - 180 with SinterGrip jaws <b>ALU</b>	77583335	7,5 Kg
V5 125 - 180 <b>Basic</b>	77583332	7,5 Kg
V5 125 - 180 body only	77583331	6,5 Kg

The self-centering **only** V5 vice is added to the IMG range with an excellent quality-price ratio, ideal for multi-vice integrated automation systems.

### Working example





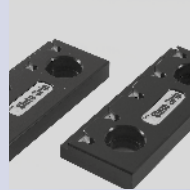
# GENIUS 5

Genius & SinterGrip  
Precision vise for 5-axis machine tools



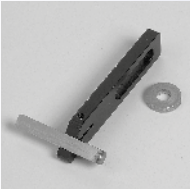
## GENIUS VISE

Page 91



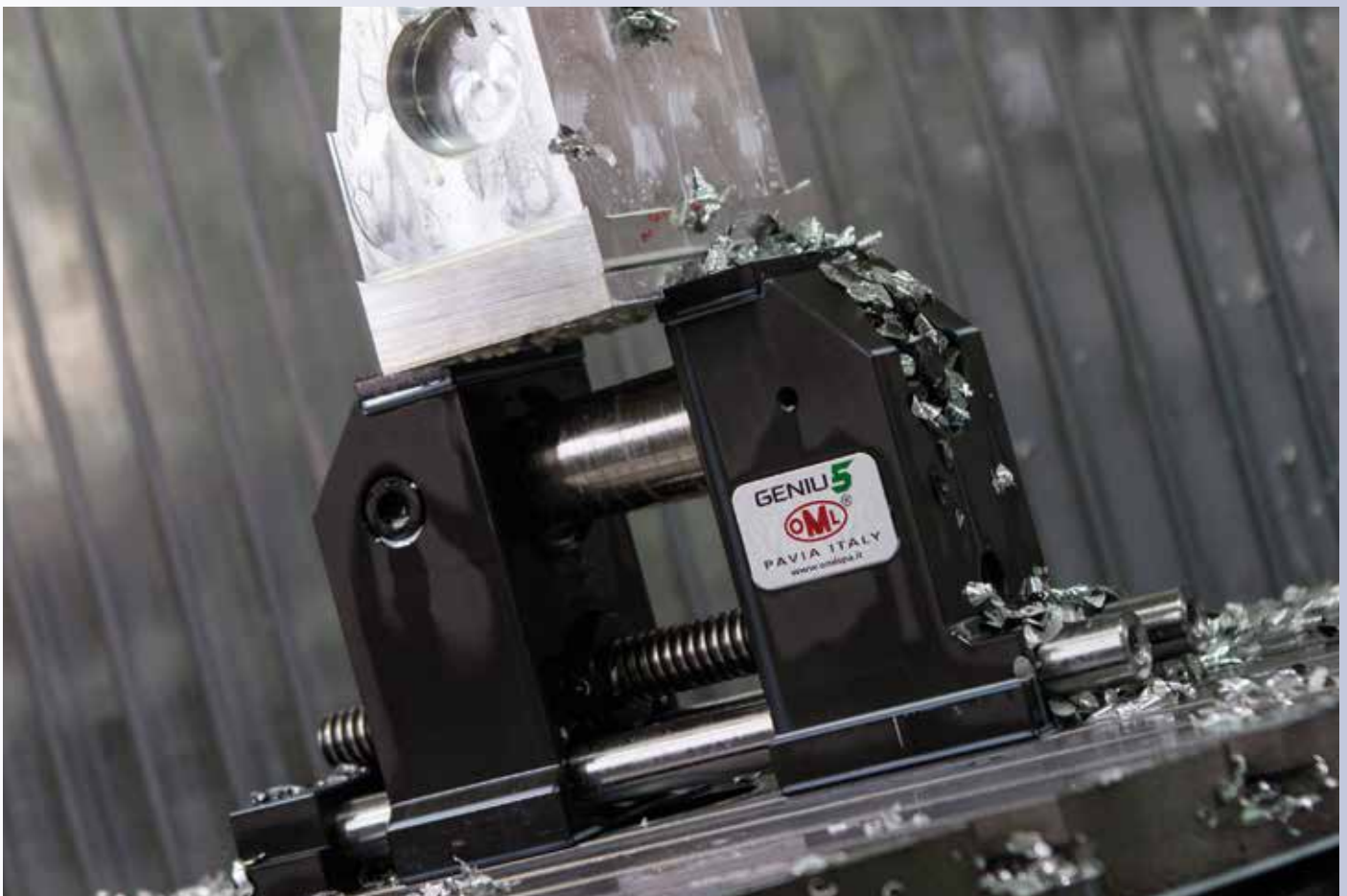
## SPARE PARTS

Page 96



## ACCESSORIES

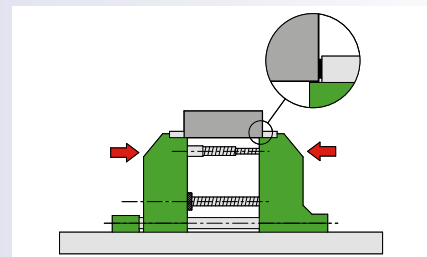
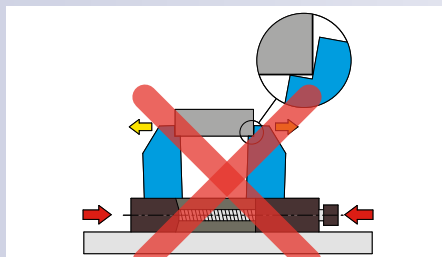
Page 92



## MAIN FEATURES

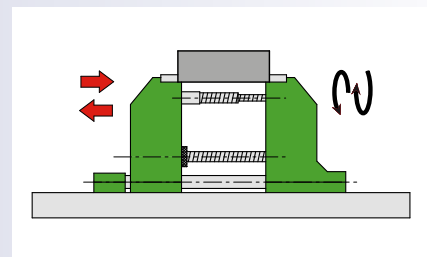
1

The clamping force (up to 40 kN) is generated right where it is needed: at the part.



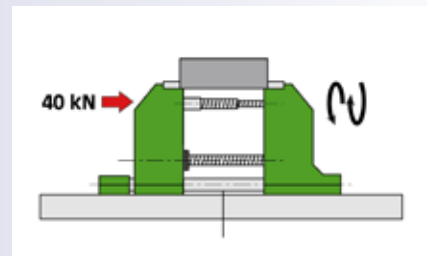
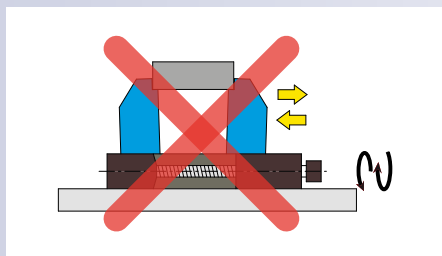
2

Thanks to its own expanding screw, GENIUS can clamp workpieces up to 200 mm with just one set-up.



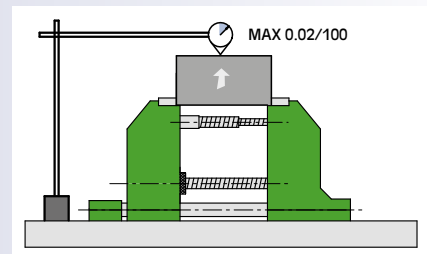
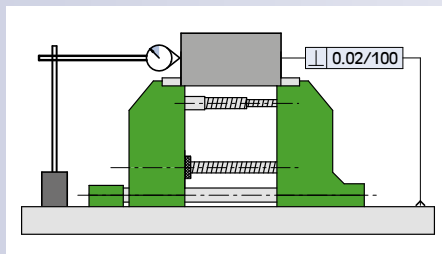
3

Unlike traditional vises, GENIUS clamps the workpieces by means of traction clamping.



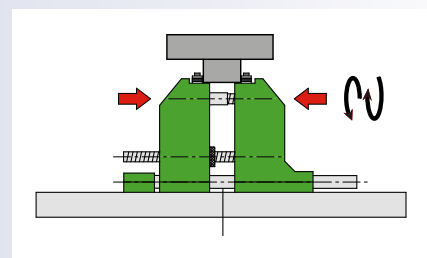
4

GENIUS is the first vise designed for 5 axis-machine tools that can be used for high precision milling operations.



5

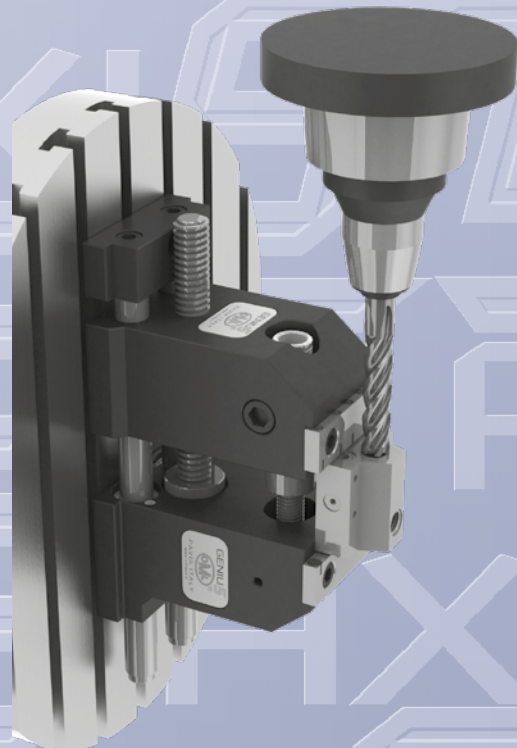
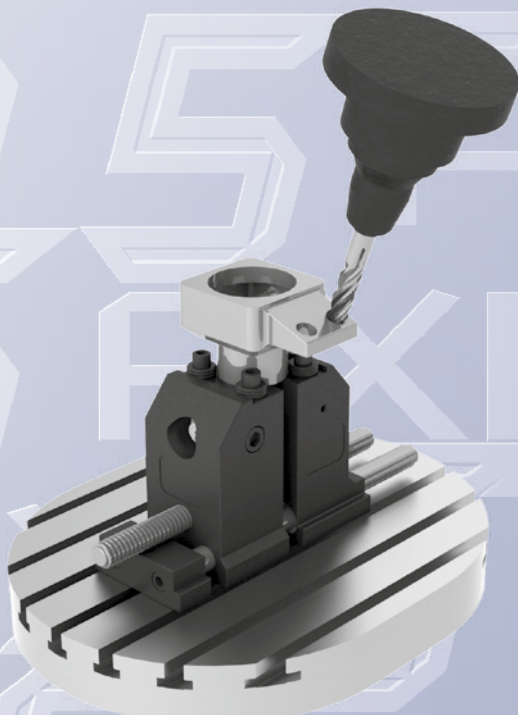
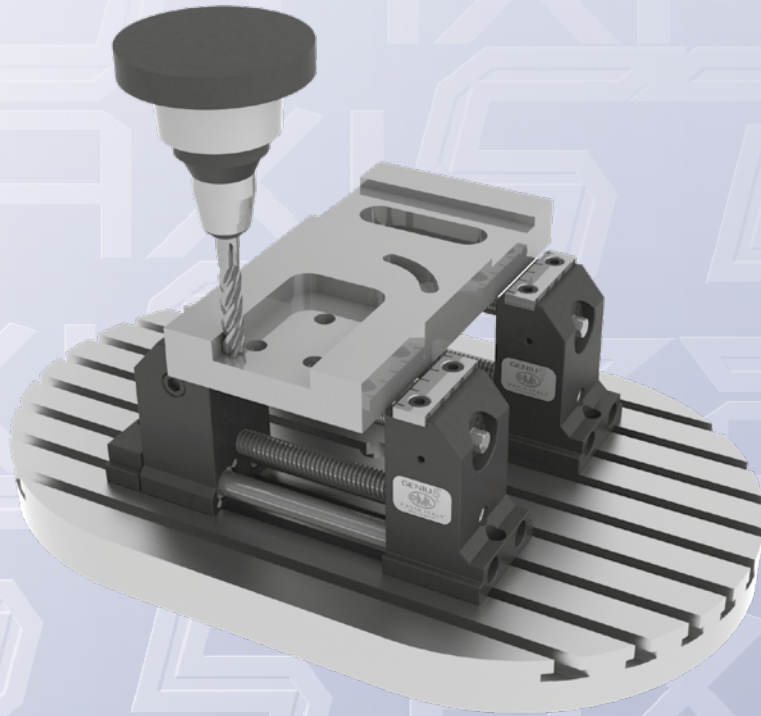
The movement of the jaws is not on a base, but on hardened and ground shafts. This allows for quicker and more accurate positioning of both the same axis with the centre of the machine tool pallet.





# GENIUS 5

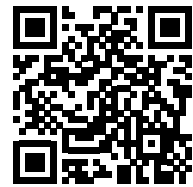
Genius & SinterGrip  
Precision vise for 5-axis machine tools



# SinterGrip

The New Choice

WATCH THE VIDEO



**Lowest clamping depth of workpieces**  
**No pre-marking**

## Benefits

**1**

**No pre-marking necessary**

→ Elimination of the costs for a pre-mark machine and set-up times




**2**

**No dove tail pre-machining of the workpiece necessary**

→ Elimination of the costs for the pre-machining

**3**

**3 different versions for all materials:**

-  → Steel
- 
-  → Hardened Steel | Titanium (until 54 HRC)
- 
-  → Aluminium | Plastic
- 

**4**

**Best accessibility and highest holding forces**

→ Safe clamping of workpieces  
→ Ideal for 5-axis machining  
→ High material saving due to lowest clamping depth only 3.5 mm

**5**

**Maximum lifetime | No wear costs**  
**Huge metal removal rate = less time to machine the workpiece**

→ SinterGrip clamping inserts are made from coated carbide steel and have maximum lifetime

**6**

**Pull-down effect | Active vibration absorption**

→ Even distribution of the clamping forces and active vibration absorption  
→ Geometric couplings without any clearance

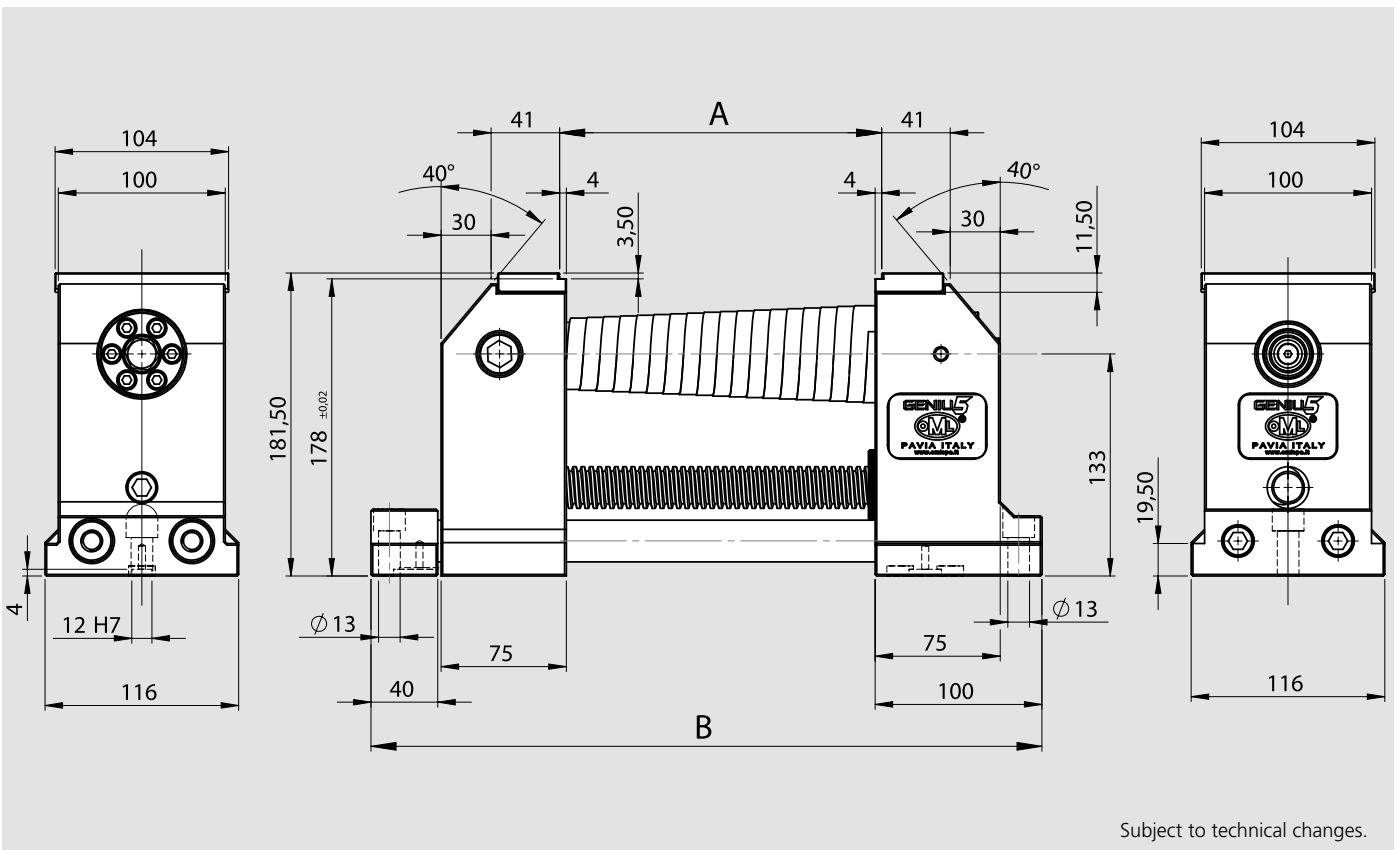


**GENIUS vise**

supplied with:

- Wrench
- Pair of positioning keys
- SinterGrip inserts for steel\*
- Work stop

\* on request SinterGrip inserts HRC or ALU



Subject to technical changes.

type	Id. No.	A*	B	Weight
GENIUS 100	77585011	100	321	23 Kg
GENIUS 200	77585012	200	412	25 Kg

\* Special opening "A" upon request

Special applications upon request



### WORK STOP

**Id. No.**

58505000



### PAIR OF SMOOTH/GROOVED JAWS

**Id. No.**

58504119

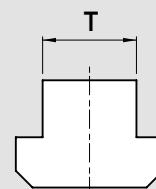


### PAIR OF CLAMPS

complete with screw and T-nuts

**Id. No.**

mm 12	mm 14	mm 16	mm 18	mm 20	mm 22
58022792	58022793	58022794	58022795	58022796	58022797

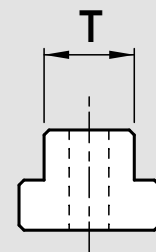


### PAIR OF NUTS

complete with screws M12

**Id. No.**

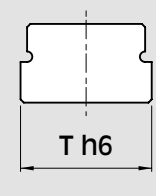
T mm 14	T mm 16	T mm 18	T mm 20	T mm 22
58502593	58502594	58502595	58502596	58502597



### PAIR OF POSITIONING KEY

**Id. No.**

mm 12 h6	mm 14 h6	mm 16 h6	mm 18 h6	mm 20 h6	mm 22 h6
58011592	58011593	58011594	58011595	58011596	58011597



### TORQUE WRENCH

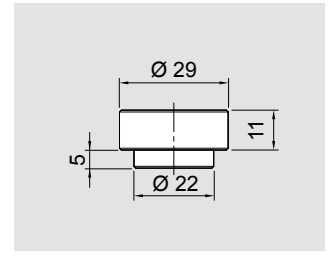
**Id. No.**

51501006



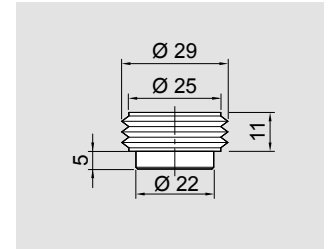
SET OF 4 "GRIPPERS" H11 SMOOTH

**Id. No.**  
58906114



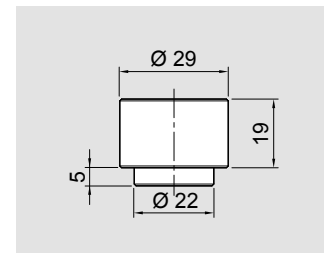
SET OF 4 "GRIPPERS" H11 SERRATED

**Id. No.**  
58906124



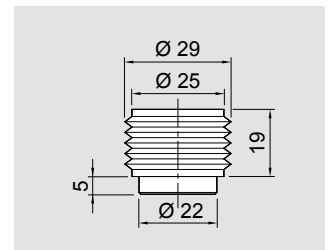
SET OF 4 "GRIPPERS" H19 SMOOTH

**Id. No.**  
58906214



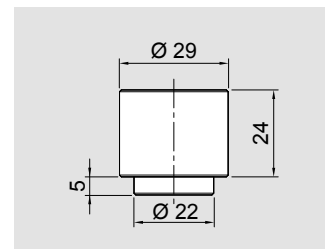
SET OF 4 "GRIPPERS" H19 SERRATED

**Id. No.**  
58906224



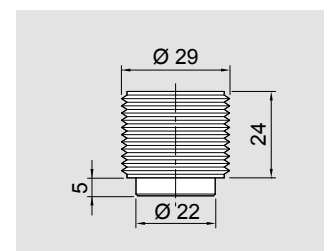
SET OF 4 "GRIPPERS" H24 SMOOTH

**Id. No.**  
58906314



SET OF 4 "GRIPPERS" H24 SERRATED

**Id. No.**  
58906324

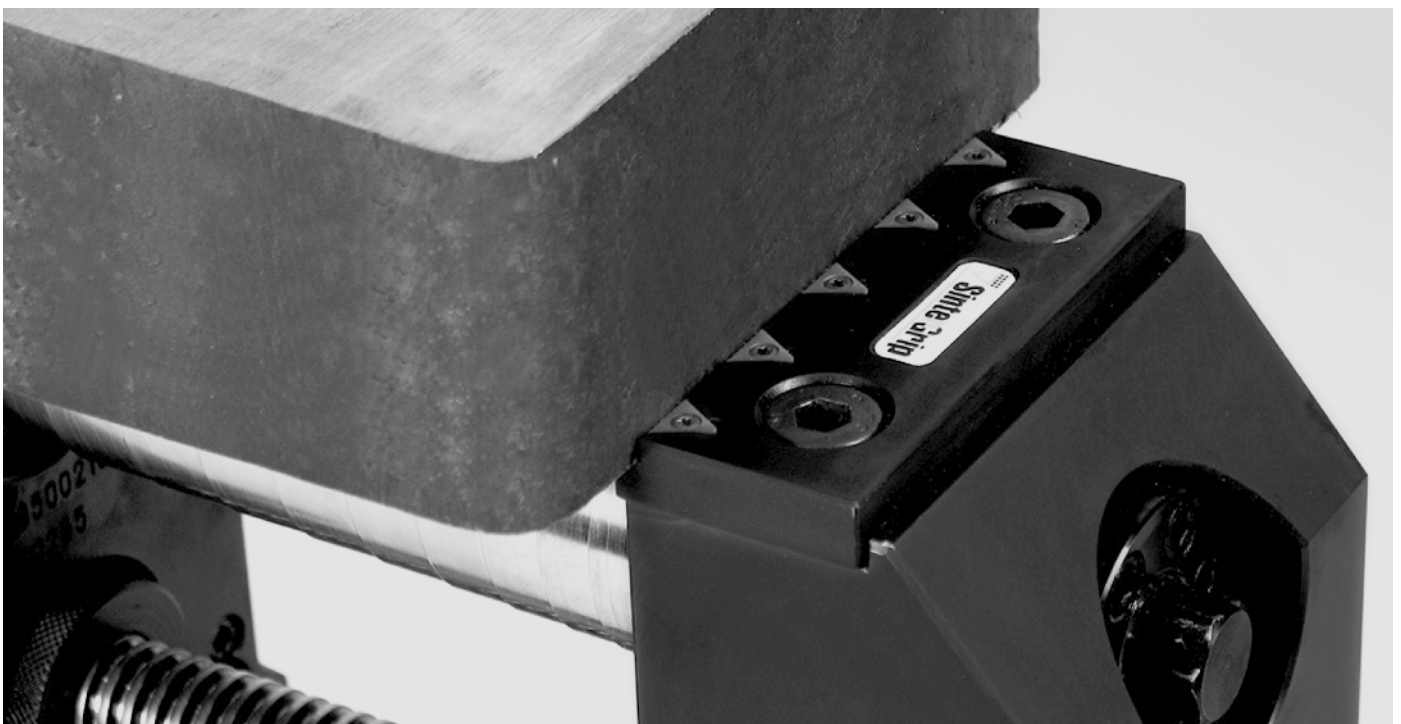


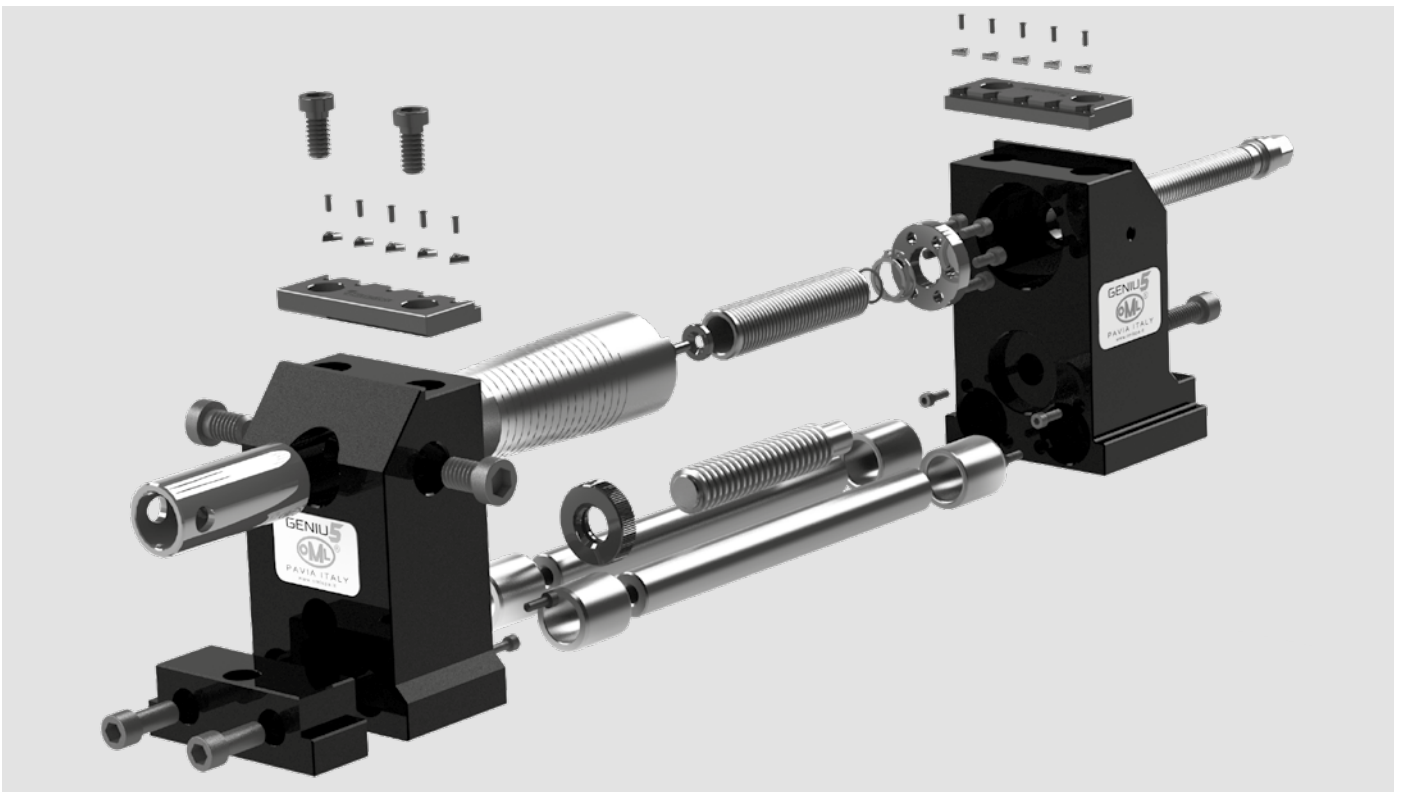


## WORKING EXAMPLE WITH GRIPPERS



## WORKING EXAMPLE WITH SINTERGRIP









### PAIR OF JAWS FOR SINTERGRIP (SinterGrip inserts: see page S.17)

**Id. No.**

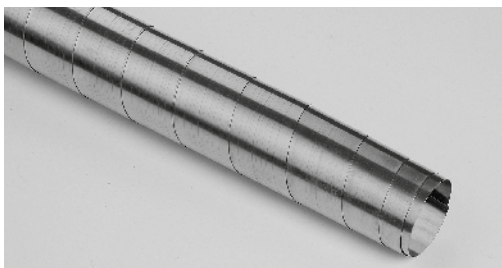
58451519



### CLAMPING KEY

**Id. No.**

51502910



### TELESCOPIC STAINLESS STEEL CARTER

**Id. No.**

71290218



### SPINDLE GROUP

**Id. No.**

77585010

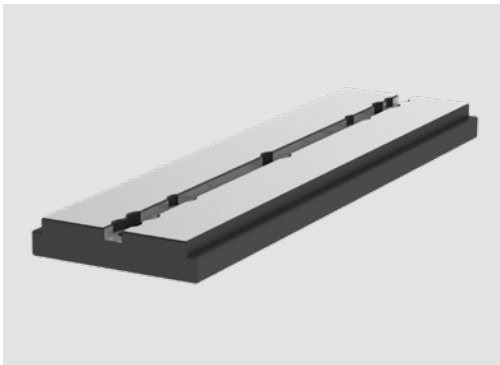
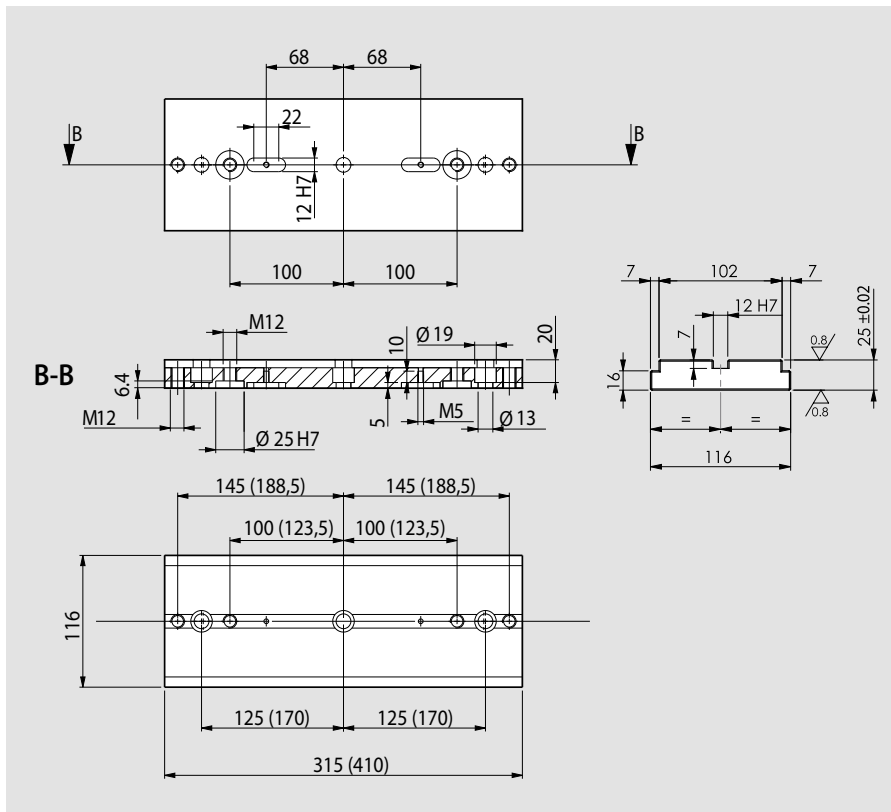
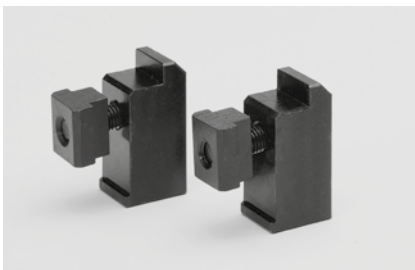


PLATE FOR VISE GENIUS

Type	Id. No.	Weight (Kg)
GENIUS 100	58502010	7
GENIUS 200	(58502020)	9

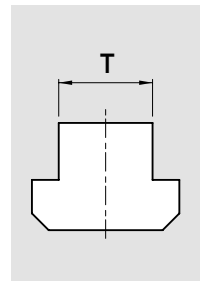


WORKING EXAMPLE

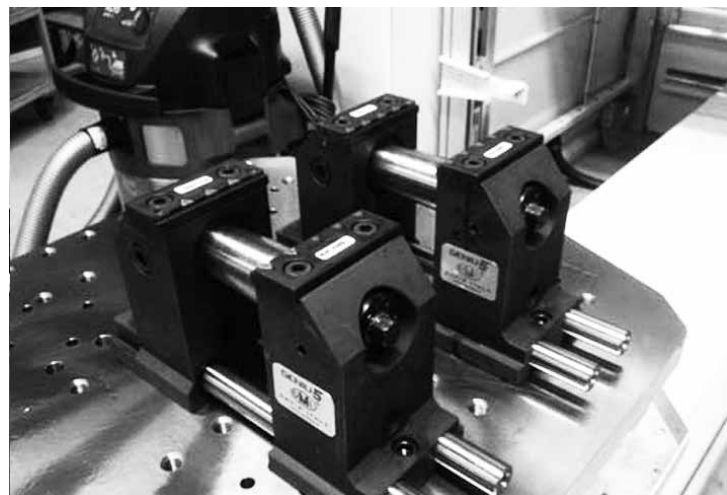
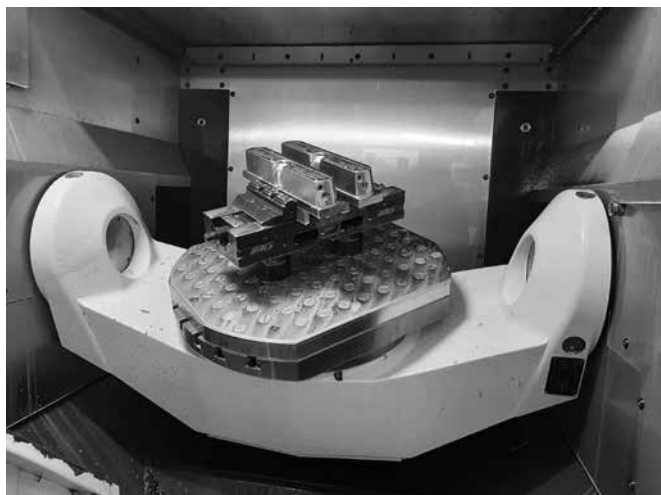
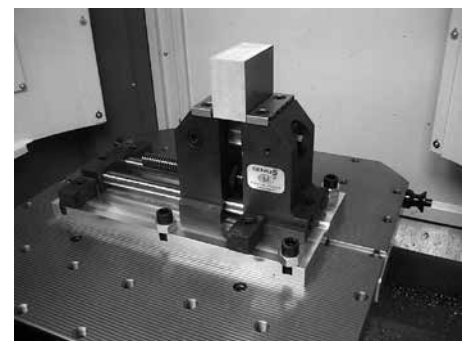
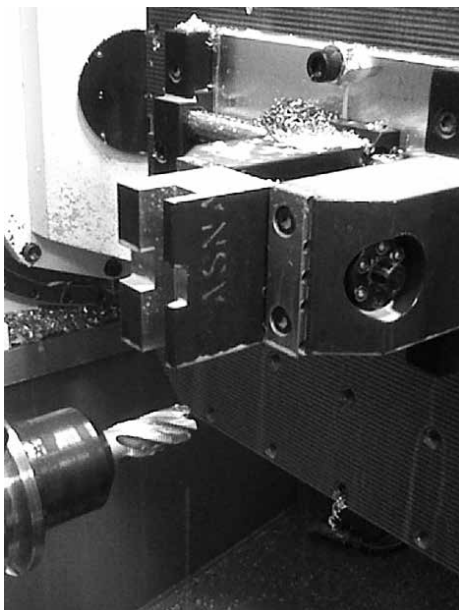
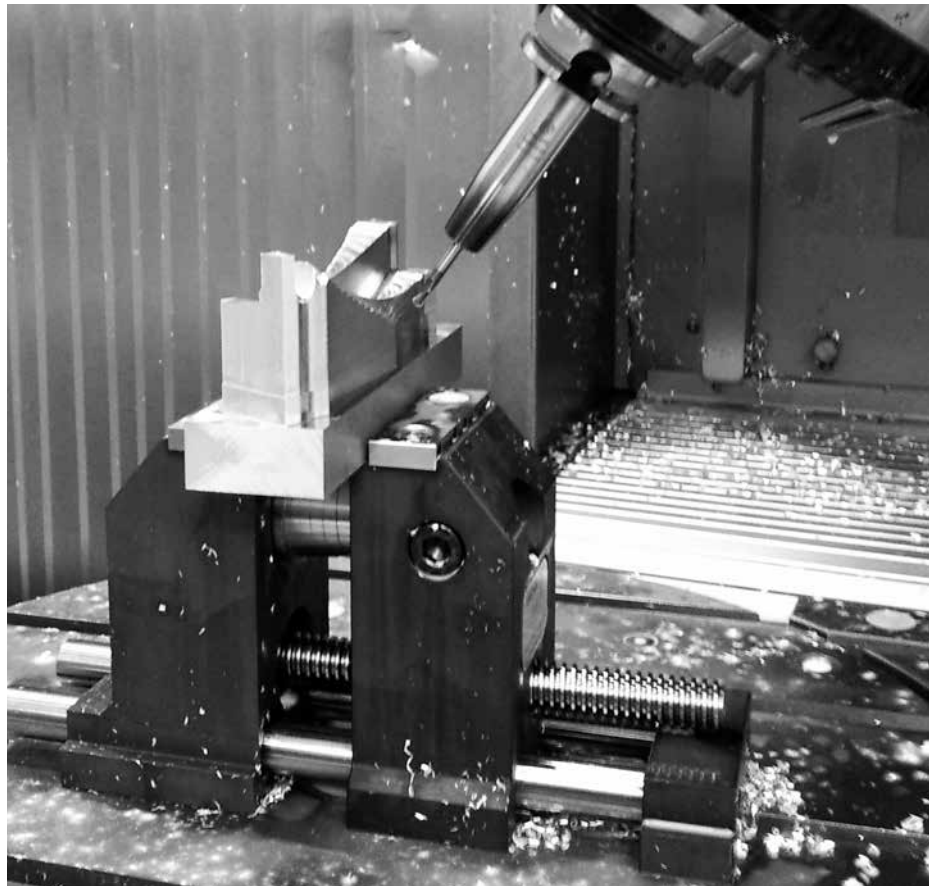
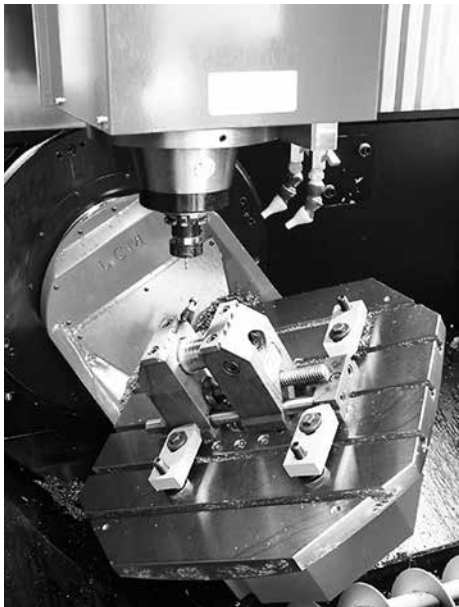


PAIR OF CLAMPS

Id. No.					
mm 12	mm 14	mm 16	mm 18	mm 20	mm 22
58012792	58012793	58012794	58012795	58012796	58012797



## WORKING EXAMPLES





# *5-AXIS WORKHOLDING*



Technical characteristics and dimensions are not obliged. OML S.r.l. may give in every time some modifications





**TCI**



**MCI**



**CV**



**CV-S**



**FMS**



**SINTERGRIP**



**APS**



**CLAK SYSTEM**



**GENIUS**



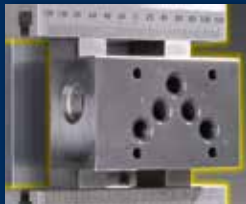
**CAM SYSTEM**



**HOLDING CLAMPS**



**VARI CLAMP**



**JAWS**



**SINTEX**



**FAST CLAMPS**



**TWIN VISE**



**IMG**



**TDM**



A COMPANY OF THE GROUP



**OFFICINA MECCANICA LOMBARDA S.r.l.**

Viale dell'Industria 6 - 27020 Trivolzio (PV) ITALY  
Tel. +39 0382 93 00 00

E-mail > [omlspa@omlspa.it](mailto:omlspa@omlspa.it)  
Web > [www.omlspa.it](http://www.omlspa.it)